

CONSORT

QUALITY SPACE HEATERS



Installation & Control Guide for SL Wireless Controlled Downflow Fan Heaters Models

BFH2SL / BFH2SLSS

Please note:

'SS' suffix added to model number denotes Stainless Steel derivative

All electrical appliances produced by the Company are guaranteed for one year against faulty materials or workmanship. This applies only if the appliance has been used for purposes in accordance with the instructions provided and has not been connected to an unsuitable electricity supply, or subject to misuse, neglect, damage or modified or repaired by any person not authorised by us. This guarantee is offered to you as an extra benefit and does not affect your legal rights.

The correct electricity supply voltage is shown on the rating label attached to the appliance.

Reasonable care has been taken to ensure that this guide is accurate at the time of printing. In the interest of progress the Company reserve the right to vary specifications from time to time without notice.

Overview

Please read this guide carefully and retain for future use and maintenance.

This appliance has been designed and manufactured to the highest international standards, however, care must be taken for optimal results and safety. This appliance also meets the requirements of EU Directive 2004/106/EC for EMC and 2009/125/EC Directive.

Safety & Care

The appliance is not intended for use by persons (including children) with reduced physical, sensory or mental capabilities or lack of experience and knowledge unless they have been given supervision or instruction concerning use of the appliance by a person responsible for their safety. Children should be supervised to ensure that they do not play with the appliance.

Warning

- Do NOT site the appliance in a corner.
- Do NOT handle the appliance with wet hands.
- Do NOT use the appliance in workshops or rooms where excessive dust is generated or present.
- Ensure that nothing is pushed into any aperture of this appliance.
- Do NOT touch outlet grille when the appliance is in use.
- Do NOT cover or restrict any aperture of the appliance when in use.
- Do NOT use the appliance if damaged.
- Do NOT leave the appliance unattended where young children are present.

Thermally Operated Cut-Out

The appliance is fitted with a thermally operated cut-out (TOC). This is a safety device, which switches the heater off if, for any reason, the appliance overheats. The TOC can only be re-set after the appliance has cooled down. In order to re-set the TOC, proceed as follows:

- Switch off appliance and leave for approximately 10 minutes. Switch appliance back on and TOC will re-set. This can be done by using the controller.
- Ensure that the appliance is functioning correctly. If the TOC control operates again, the appliance should be checked by a competent electrician.

The heater carries a 'Do Not Cover' label to warn the user that if the appliance is covered, there is a risk of overheating.

Cleaning

Always disconnect the heater from the mains before cleaning. The heater should not require any maintenance, but it is strongly advised that it is kept clean. An occasional wipe over with a soft cloth is all that should be necessary.

- Do NOT use metal or furniture polish on any part of the heater.
- Do NOT touch the heater with wet hands or in any way bring water into contact with it.

If the supply cord is damaged, it must be replaced by the manufacturer or its service agent or a similarly qualified person in order to avoid a hazard.

If Your Heater Does Not Work

- Check that power is available to the heater. The LED light should be illuminated.
- Check that the thermal cut-out has not operated. Follow the reset instructions given under the section headed 'Thermally Operated Cut-out'.
- Check that the fuse in the spur unit has not blown. This can be done by replacing the fuse with another suitable fuse.

Should none of the above remedies work, then telephone the helpline number shown in these instructions (UK ONLY). Do not attempt to repair the heater.

Connection to the Main Supply

Electrical installation should be carried out by a competent installer, preferably registered with NICEIC (National Inspection Council for Electrical Installation Contracting) in accordance with the 17th edition of the IEE Wiring Regulations, (BS.7671), and any relevant Local Authority Bye-Laws. This heater is fitted with a 3-core mains supply cable and must be permanently connected to the electricity supply via a double pole switch having 3mm gap on each pole. **There are no exceptions.** A switched Fused Connection unit to BS.1363. Part 4 is a recommended mains supply connection accessory to ensure compliance with safety requirements applicable to fixed-wiring installation.

Note: When switched on for the first time the appliance may emit a slight smell. This is purely the evaporation of a fluid used in the manufacturing process.

WARNING: This appliance must be earthed.

Important

When installed in a bathroom the unit must not be connected via a plug and socket.

The heater must also be located in the appropriate zone of the bathroom, in accordance with section 701 of the Wiring Regulations BS 7671). The appliance should be fitted horizontally such that the cable entry is uppermost. The unit must be mounted a minimum of 1.8 metres from the floor, also a minimum of 150mm below ceiling level or any other projecting surface. It must also not be less than 250mm from any adjacent projecting surface. The unit must not be located immediately below a fixed socket outlet.

The heater is to be installed so that the appliance cannot be touched by a person in the bath or shower. The heater must not be installed in front of a socket-outlet.

Means for disconnection must be incorporated in the fixed wiring in accordance with the wiring rules. If the supply cord is damaged, it must be replaced by the manufacturer, its service agent or similarly qualified persons in order to avoid a hazard.

Ensure that when in use the airstream is not obstructed.

Warning – Do **NOT** place aerosols or similar containers or materials susceptible to heat in the direct airstream.

Mounting Procedure

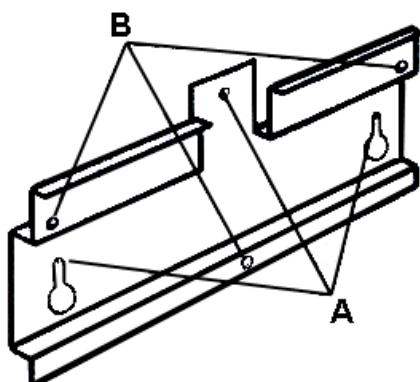
Using the mounting bracket supplied as a template, position it horizontally a minimum of 1.92m from floor to underside of bracket and mark the position of the three fixing holes (ref A. in diagram).

Drill and plug the wall suitable for No 8 screws.

Insert the two keyhole screws in wall leaving approximately 5mm gap between head and wall.

Secure the mounting bracket to the appliance using the 3 screws supplied (ref B in diagram).

Position the appliance on the partially inserted wall screws and secure the third wall screw immediately above appliance.



Operation

When the appliance is connected to the mains supply, the LED indicator will light up green, showing that the power is available to the unit.

When the heat output has been enabled by a controller, the LED indicator light will turn red.

This heater can only be used in conjunction with any SL wireless controller.

Each SL controller can control any number of heaters providing they are in the RF range.



SL wireless controllers

Please refer to the SL installation and control guide for full operational details.

CUSTOMER HELPLINE

Should you need any advice on the use of your new Consort product, please contact our Helpline:

Consort Equipment Products Limited

Thornton Industrial Estate, Milford Haven, Pembrokeshire, SA73 2RT

Tel: 01646 692172 Fax: 01646 695195

Email: technical@consortepl.com Web: www.consortepl.com

Operation hours: Mon to Thu 8.30am to 4.30pm | Fri 8.30am to 3.30pm

BS EN ISO 9001 Registered Company No FM12671