

Mini K Series

Portable Pipe Beveling Machine

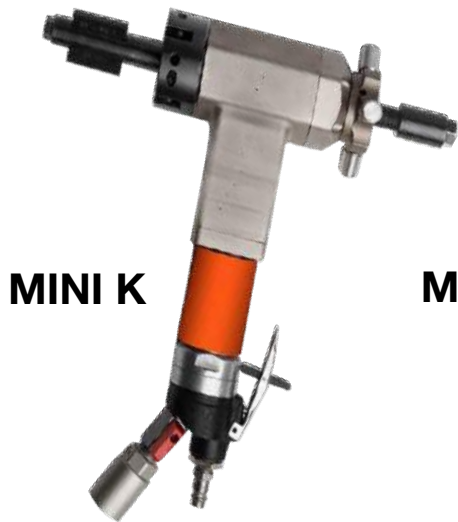
Range: 20 - 42 mm i/d (optional from 12,5 mm i/d).

Functions: bevelling, facing, counterboring.

Materials: any kind of steel, aluminum or plastic.

Power: pneumatic or electric (110v or 220v)

The MINI K is a lightweight yet powerful pipe beveller. It's 60mm body makes it ideal for use in environments where access is restricted. The ease of set up and operation make it a favourite for use in power stations, shipyards or workshops.



MINI K



MINI KE



MINI KC
CORDLESS



MINI K AUTOLOCK
For repetitive work



MINI K40
40mm body width for very limited access

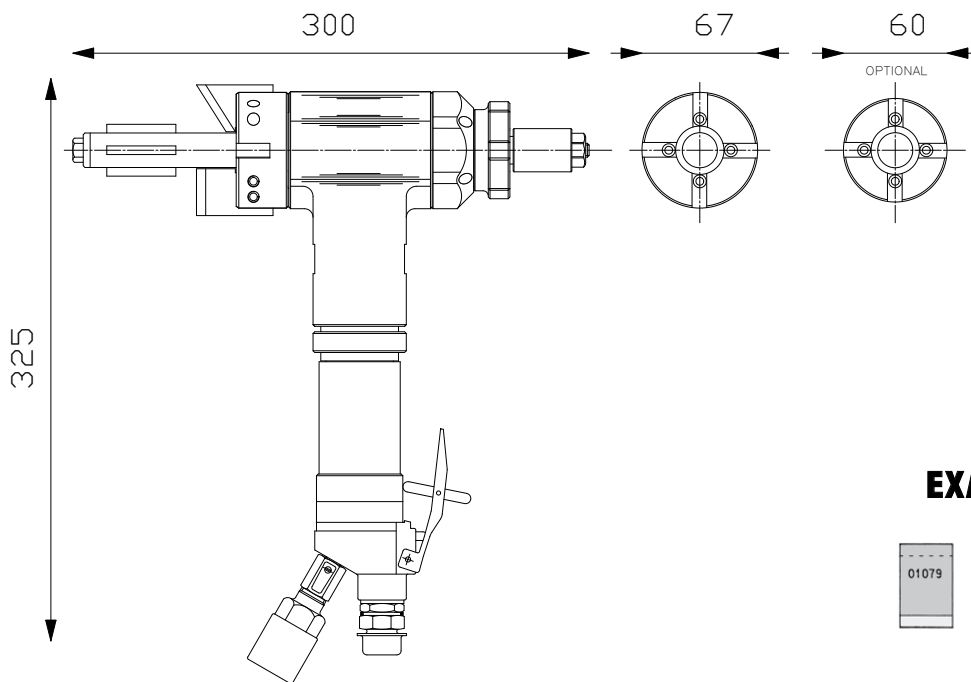


MINI K AUTOMATIC
Fully automatic operation

Mini K Series

TECHNICAL FEATURES

		MINI K	MINI	K E
Locking range	mm ϕ id.)	20-42		20-42
Idle speed	Rpm	245		250
Torque	Nm	29		45
Feeding stroke	mm	23		23
Pneumatic motor power	Hp (W)	0,583 (430)		-
Air consumption	cfm	15-18		-
Air pressure	psi	90		-
Air hose connection	inches	1/2"		-
Electric motor power	Watt	-		670
Voltage	Volt	-		110/220
Frequency (cycles)	Hz	-		50
Max noise level	dB	75		75
Unit weight	Kg	4,8		5,5



OPTIONAL



REDUCED SHAFTS

WITH A CHOICE OF INTERCHANGEABLE TOPS TO COVER A RANGE FROM 12,5 mm TO 21mm ϕ .

Shaft	Locking range (i/d.) mm	Locking range (i/d.) inches
12,4 ϕ	12,5 - 15	0.49 - 0.59
13,9 ϕ	14 - 18	0.55 - 0.71
16,9 ϕ	17 - 21	0.67 - 0.83
kit	12,5 - 21	0.49 - 0.83

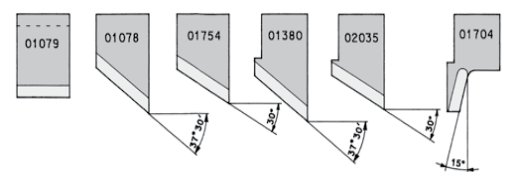


ELBOW LOCKING SHAFTS

AVAILABLE TO COVER A RANGE FROM 25 TO 51mm ϕ .

Shaft	Locking range (i/d.)	
	mm	inches
25 ϕ	25 - 39	0.98 - 1.54
35 ϕ	38 - 51	1.50 - 2.01
25+35 kit	25 - 51	0.98 - 2.01

EXAMPLES OF CUTTER BITS



All units are supplied complete with all gripping segments to cover the full range of the machine. Service tools, drawings, instruction manual and warranty certificate are also supplied as standard. Each machine is supplied with a protective carrying case. We strongly recommend the use of the GBC portable filter lubricator with all our pneumatic models.