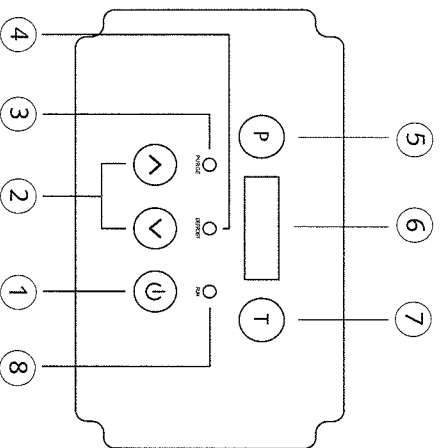


CONTROL PANEL



1. ON/OFF Key
2. Humidity setting UP/DOWN
3. Purging Indicator
4. Defrosting Indicator
5. PURGE Key
6. HUMIDITY and TIME Display
7. TIME Key
8. Operating Indicator

1. **ON/OFF:** Press the ON/OFF key to turn the unit ON or OFF.
2. **UP and DOWN:**
Press **UP** or **DOWN** key to set or adjust humidity in the range between 26% and 90%. When the ambient humidity is below 26% "CO" will be displayed (CO = continuous operation).
4. **Defrost Indicator**
If necessary, the unit will go into defrosting mode. If this happens, the defrost indicator light illuminates. When defrosting is finished, the unit will return to dehumidifying mode again; the light goes off.
5. **PURGE:** Press the PURGE key to empty water from the pump reservoir. During normal operation the pump purges automatically when the reservoir is full. Use 'PURGE' before moving the unit to avoid water spillage. The pump will close automatically after forty seconds continuous operation.
7. **TIME:** Press once to show current working time. Another push will show the total working time of the appliance.
Current working time can be reset by pressing and holding the T key. However, the time that has passed will be added to the total working time.
The total working time cannot be reset.
The time can be viewed even if the appliance is not connected to the mains.

OPERATING INSTRUCTIONS

A. Operation for General Use

1. Press the ON/OFF key to turn the unit on, it will get into working mode automatically.
2. After using, press ON/OFF key to turn the unit off. The water pump will turn on automatically for 40 seconds to drain the rest of the water, and then turn off automatically.

Attention:

DO NOT switch the power **OFF** by disconnecting at the mains socket outlet. To avoid water spillage: **DO NOT** move the dehumidifier for at least three minutes after turning the power **OFF**.

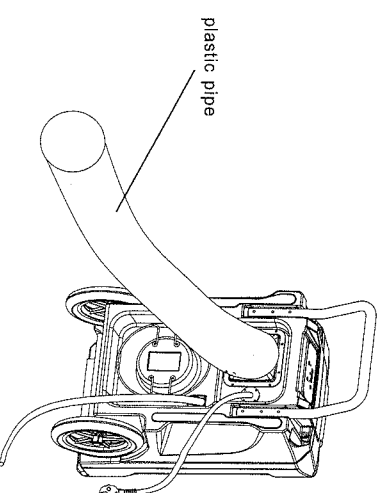
B. Key Lock Function

If the "T" and "P" keys are pressed for 2s at the same time, the operating indicator "RUN" will flash fast, and all the keys on the control panel will be locked. To unlock, repeat the same procedure.

C. Pipe Function

In a very moist space, use a plastic pipe with a diameter larger than the internal diameter of pipe for BR55C/BR85C is 150/164 mm, and connect the pipe to the hood. This is a faster and more effective way of dehumidifying.

| Model | BR55C | BR85C |
|--------------------|-------|-------|
| Pipe connection mm | 150 | 164 |

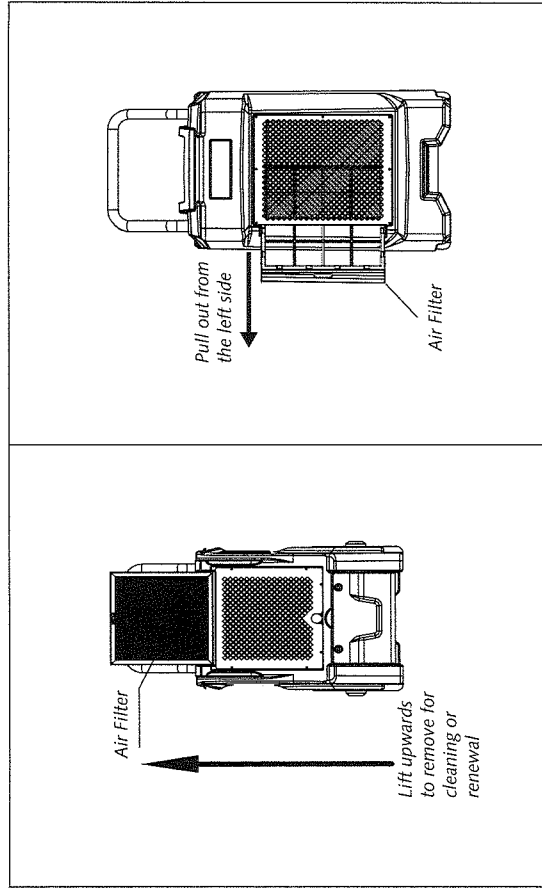


CARE AND MAINTENANCE

Cleaning the Air Filter

Ensure the dehumidifier is turned OFF and the plug is removed from the power socket before maintenance is carried out.

The working performance of dehumidifier will be greatly reduced if the filters become blocked.



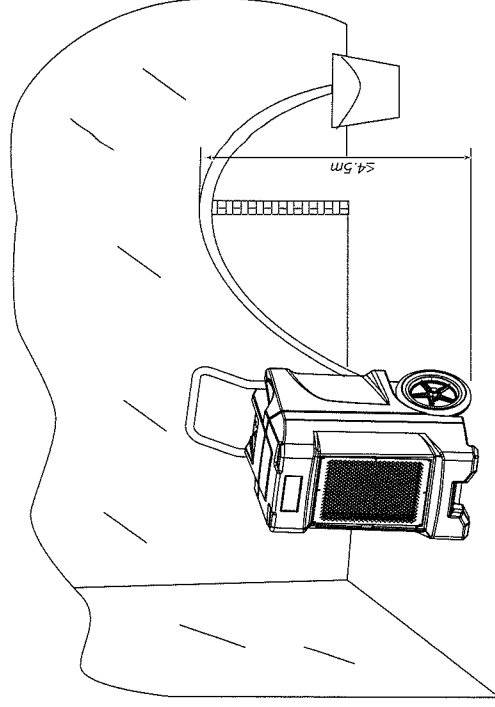
1. Remove the filter as showed in the images above.
2. Vacuum any debris from the filter using the vacuum hose and nozzle attachment.
3. Use lukewarm water and a mild detergent to wash the filter and allow to dry.
4. Once dry, re-install filter into the dehumidifier.

Checking the Drain Hose

- Unplug the drain hose and check that there are no obstructions. If so, replace the hose to avoid water spills.

DRAINAGE

- The dehumidifier pump connects to plastic drainage hose. The hose is stored on the back of the appliance. Uncoil the entire hose ensuring there are no kinks or restrictions and place the unattached end into a water vessel or run to outdoors.
- Ensure that water which runs to outdoors does NOT create a slip hazard.
- Water vessels **MUST** be checked regularly where used.
- The position of the drain water pipe must not be too high (≤ 4.5 metres). Failure to do so may cause a water backup in the pump, resulting in leakage.

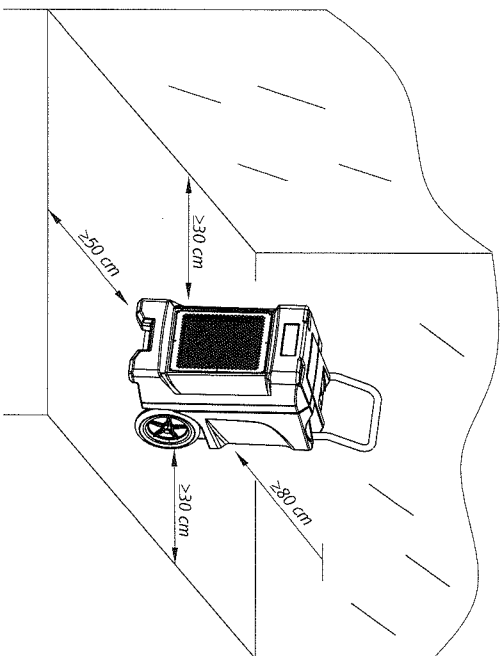


SETTING UP INSTRUCTIONS

⚠ IMPORTANT

Place the dehumidifier in upright position. When transporting a dehumidifier to site, allow the dehumidifier to stand for 30 minutes before switching ON. This is necessary to allow the refrigerant system to stabilise and avoid system damage.

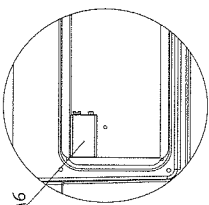
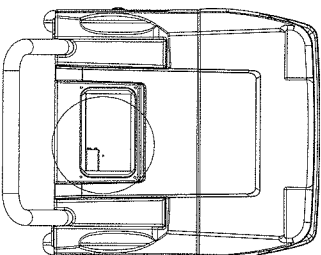
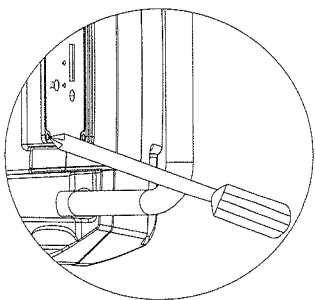
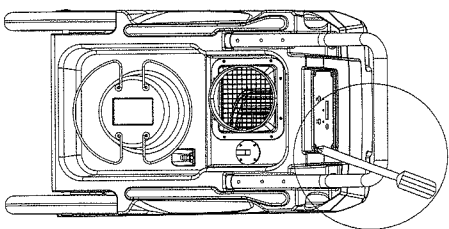
Operate the dehumidifier in an enclosed area, as this creates a drying chamber. Close all doors, windows or areas that open to external areas, to maximize the dehumidifier's water removal efficiency. Keep traffic through the drying chamber to a minimum. Place the dehumidifier in the centre of the room, away from walls and furnishings. **DO NOT** allow the airflows to be obstructed.



Correct position for best performance

Replacing the Battery

1. Remove the screws in the four corners of the control panel.
2. Once the screws are removed, carefully lift the control panel to access the PCB.
3. On the PCB is a 9V 6F22 battery. Remove the battery and replace with new.
4. Refit the control panel onto the PCB.
5. Refit the four screws.



9V 6F22 battery

TROUBLE SHOOTING

The problems below are probably not actual faults. Please check the machine according to the tips:

| Problem | Cause | Solution |
|---|--|---|
| Unit does not operate | No power is connected to machine | Unplug the unit; and check the socket |
| | Unit is not turned on | Press the ON/OFF switch |
| | E4 is shown | Check water pipe |
| Unit collects little or no water at all | Not enough time for working | Allow more time for drying |
| | Filter is blocked | Clean the filter |
| Unit collects little or no water at all | Indoor temperature is too low | The dehumidifying volume is little under low ambient temperature (≤ 18), thus try to increase the indoor temperature |
| | Water pipe is tied or deflated | Check water pipe |
| Poor dehumidification | The door or windows are open | Seal up the room |
| Hot air is drained from the outlet | Normal heat exchange | Normal phenomenon |
| Sound of water flow or 'da da' sound | Sound from refrigerant flowing or water pump working | Normal Phenomenon |

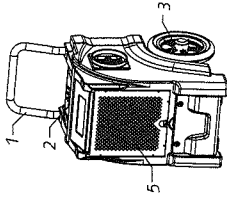
Notice: After checking the table above, if there is still a problem, please contact your retailer. Please do not attempt to dismantle or mend the machine by yourself.

FAULT CODES

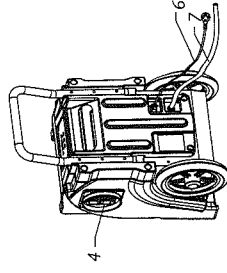
Warning: In the event of a fault code, contact your retailer.

| Code | E1 | E2 | E3 | E4 |
|------------------------|---|--|-------------------------------------|--|
| Error message | Coil sensor error | Humidity sensor error | Low or no refrigerant | Water pump fault or blockage |
| Display reading | Flashes every 30 sec's | Flashes every 30 sec's | Flashes continually | Flashes continually |
| Reason | Timed defrost mode. The dehumidifier is working correctly | 50% R.H displayed continuous mode in operation | Turn power OFF. Then turn ON again. | Dehumidifier will turn OFF automatically. The fault must be rectified before operation can commence. |

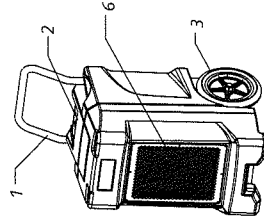
PRODUCT IDENTIFICATION



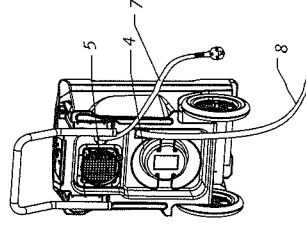
1. Metal handle
2. Control panel
3. Wheels
4. Air outlet grille, Ø 150 mm
5. Air inlet grille



6. Power cord
7. Water pipe



1. Metal handle
2. Control panel
3. Wheels
4. Water pipe bracket
5. Air outlet grille, Ø 164 mm
6. Air inlet grille



7. Power cord
8. Water pipe

NOTE: Please install the handle by yourself (six bolts are provided)

⚠ WARNING: DO NOT obstruct the air inlet or outlet.

IMPORTANT INSTRUCTIONS

TECHNICAL SPECIFICATIONS

Warning - to reduce the risk of fire, electrical shock or injury to persons or property:

1. Always operate the product from a power source of the same voltage, frequency and rating as indicated on product identification plate.
2. Do not operate this product with a damaged power cord and/or plug. If the supply cord is damaged, it must be replaced by qualified personnel or other similar qualified person in order to avoid hazard.
3. To reduce the risk of electric shock, do not expose the unit or flexible cord to wet conditions.
4. Switch off and unplug the unit from the power socket when not in use, before assembling or before cleaning.
5. Do not place objects on product or allow objects to obstruct the inlet or outlet openings, or operate in close proximity to walls or curtains, etc.
6. Do not attempt to dismantle the appliance.
7. Do not operate the appliance on a metal surface.
8. Do not use the appliance in artificially hot or humid conditions or in a hazardous environment.
9. Do not clean the appliance with organic solvent.
10. This appliance is not intended for use by persons (including children) with reduced physical, sensory or mental capabilities, or lack of experience and knowledge unless they have been given supervision or instruction concerning use of the appliance by a person responsible for their safety.
11. Children should not be left unsupervised with the appliance.
12. This instruction manual is an integral part of the appliance and should be stored for safe keeping and must always accompany the appliance in the event of ownership transfer or for reference to by service engineer.

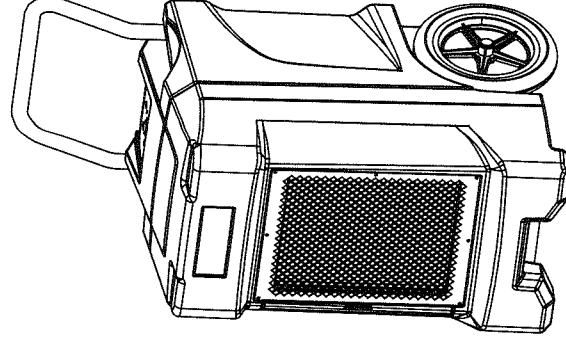
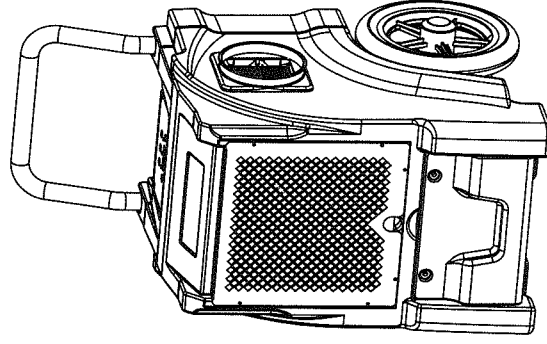
| Model | BR55C | BR85C |
|---------------------------|--|--|
| Moisture Removal Capacity | 55L/day(30°C RH80%) 30L/day(27°C RH60%) | 85L/day(30°C RH80%) 50L/day(27°C RH60%) |
| Power Supply | 220-240V~ 50Hz | 220-240V~ 50Hz |
| Rated Power | 720W | 990W |
| Rated Current | 3.2A | 4.7A |
| Max Power | 950W | 1370W |
| Max Current | 4.2A | 6.4A |
| Max Suction Pressure | 2.5MPa | 2.5MPa |
| Max Discharge Pressure | 4.5MPa | 4.5MPa |
| Refrigerant | R410A/0.4kg | R410A/0.74kg |
| Operating Temperature | 5~35°C | 5~35°C |
| Net Weight | 39 kg | 45 kg |
| Product Size | 545 × 500 × 638 mm | 530 × 515 × 830 mm |

 PLEASE READ THE INSTRUCTIONS CAREFULLY AND IN FULL BEFORE USING THE PRODUCT.

BRÜLIN

INDUSTRIAL DEHUMIDIFIER

MODEL : BR55C / BR85C



INSTRUCTION MANUAL
SAVE THESE INSTRUCTIONS FOR FUTURE REFERENCE