



ACCESSORIES

CE

1 - BUMPERS

2 - CHIMNEY RECOVERY AND FIXING

3 - FORKLIFT

4 - PNEUMATIC WHEELS

5 - RAPID FUEL CONNECTIONS

6 - ROTATING WHEELS

7 - LIFTING CRANES

8 - AIR FLAP FOR COMBUSTION

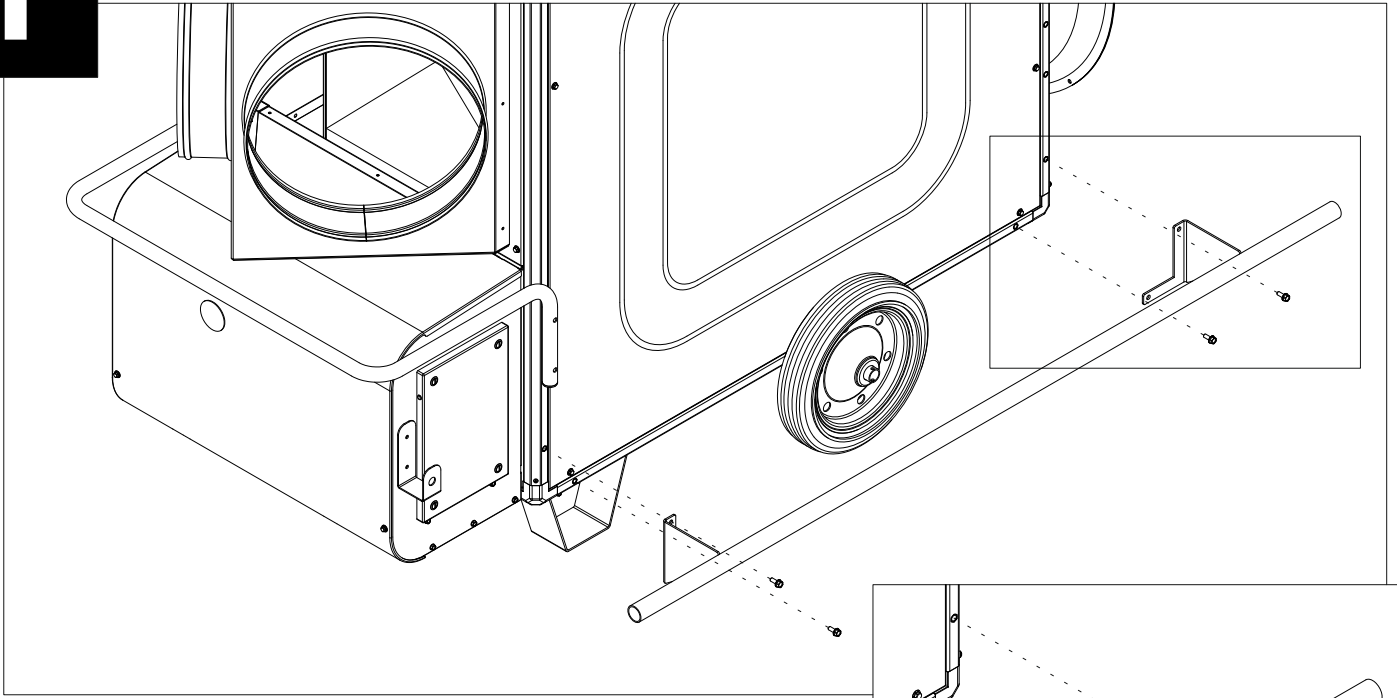
9 - PRE-HEATER FILTER

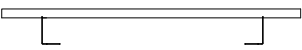


10 - FUEL TANK

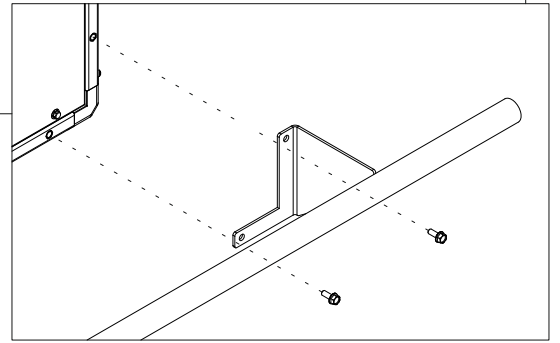
11 - AIR RECIRCULATION SYSTEM

1

BUMPERS KIT

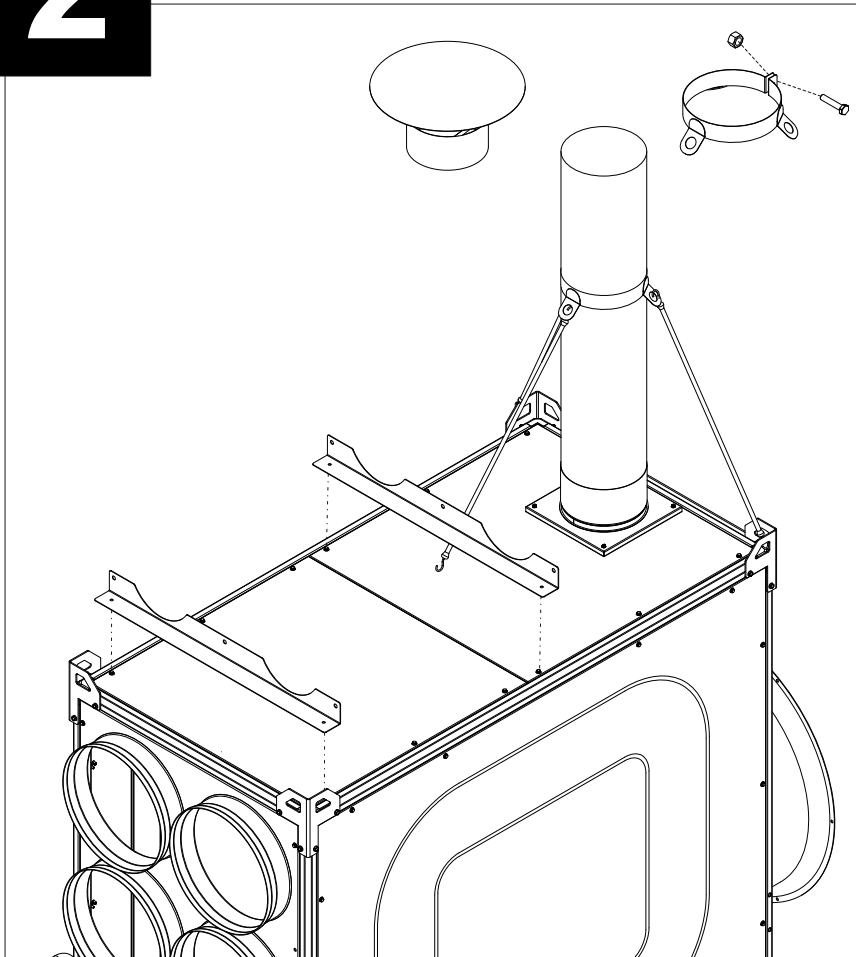


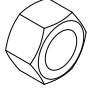
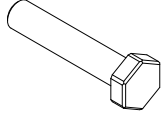
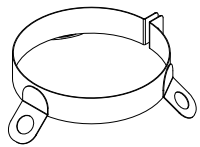
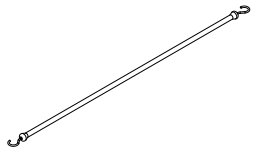
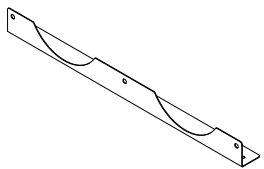
BUMPER - 2x	TUBE CAP - 4x	SCREW - 8x
		



2

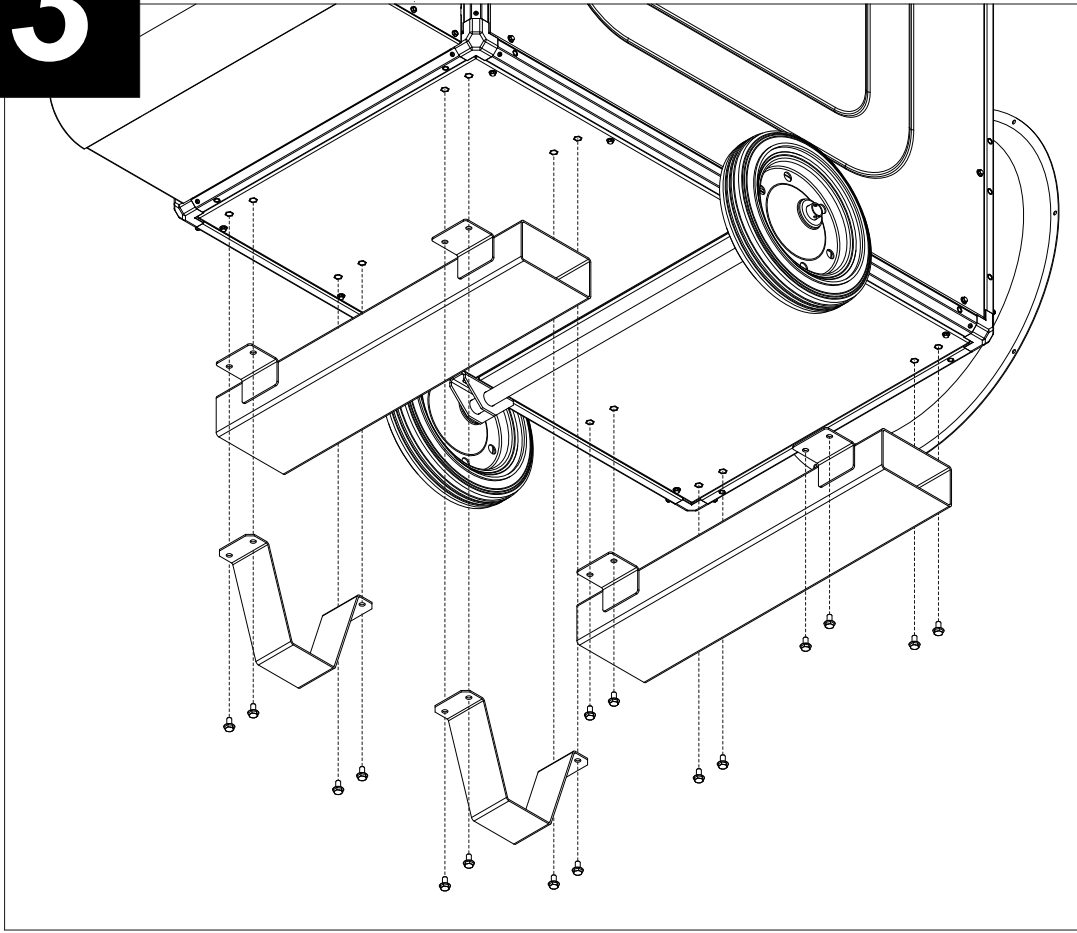
CHIMNEY RECOVERY AND FIXING KIT



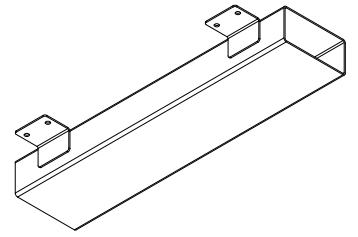
NUT - 1X	SCREW - 1X
	
CHIMNEY COLLAR - 1X	ELASTIC HOOK - 3X
	
BRACKET - 2X	
	

3

FORKLIFT KIT

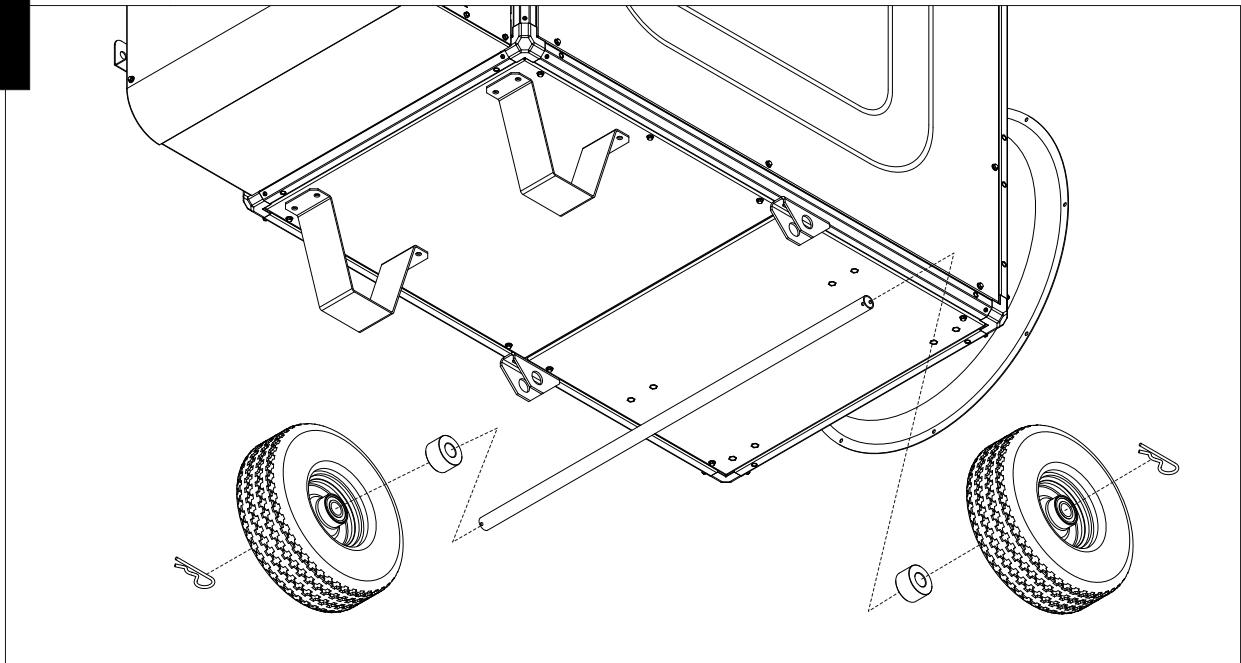


FORKLIFT BRACKET - 2X

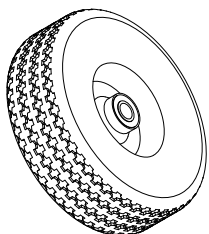


4

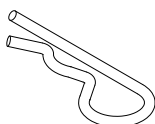
PNEUMATIC WHEELS KIT



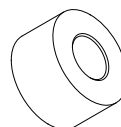
PNEUMATIC WHEEL - 2X



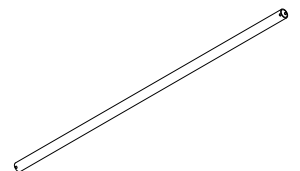
COTTER PIN - 2X



WHEEL SPACER - 2X

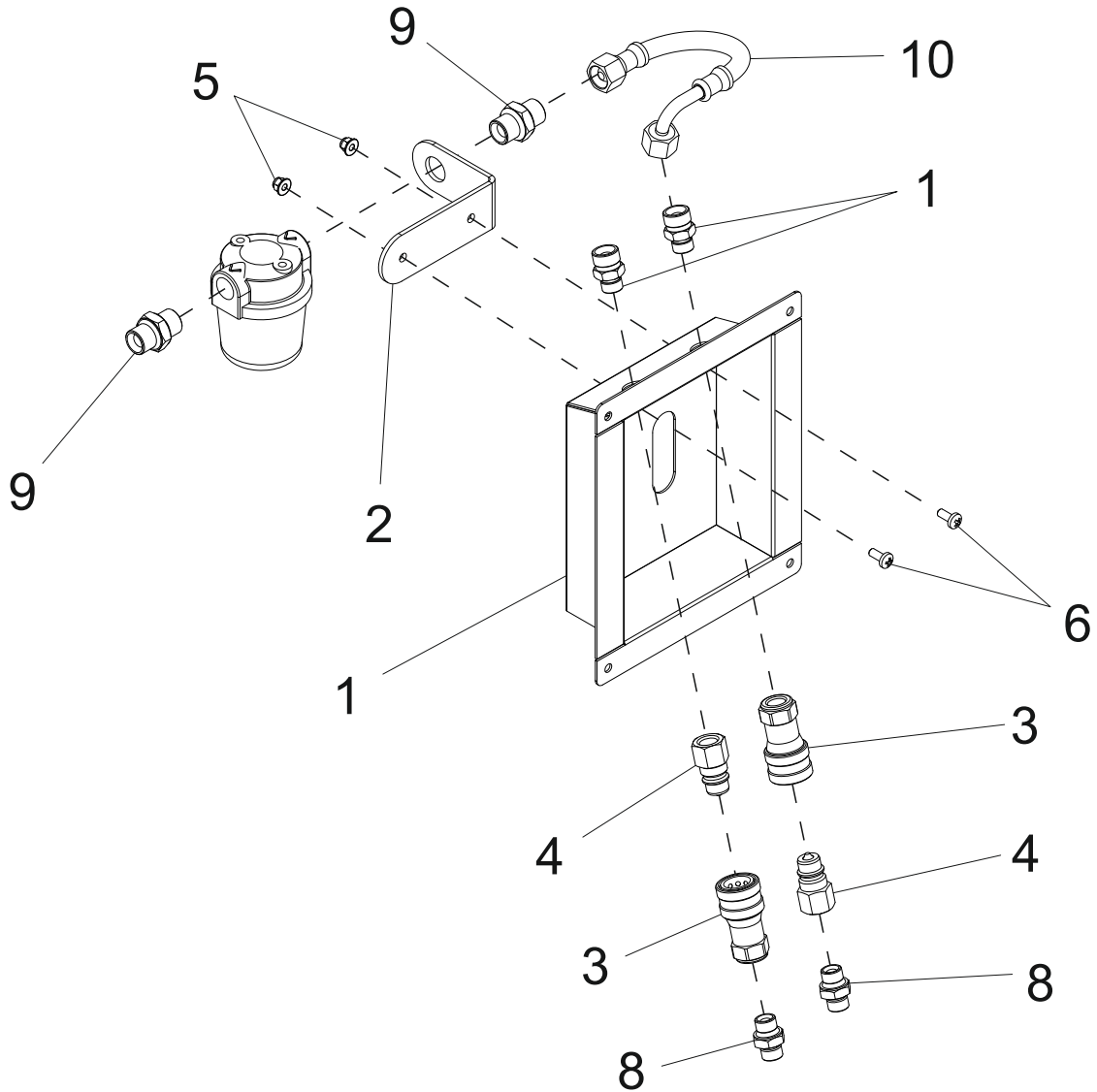
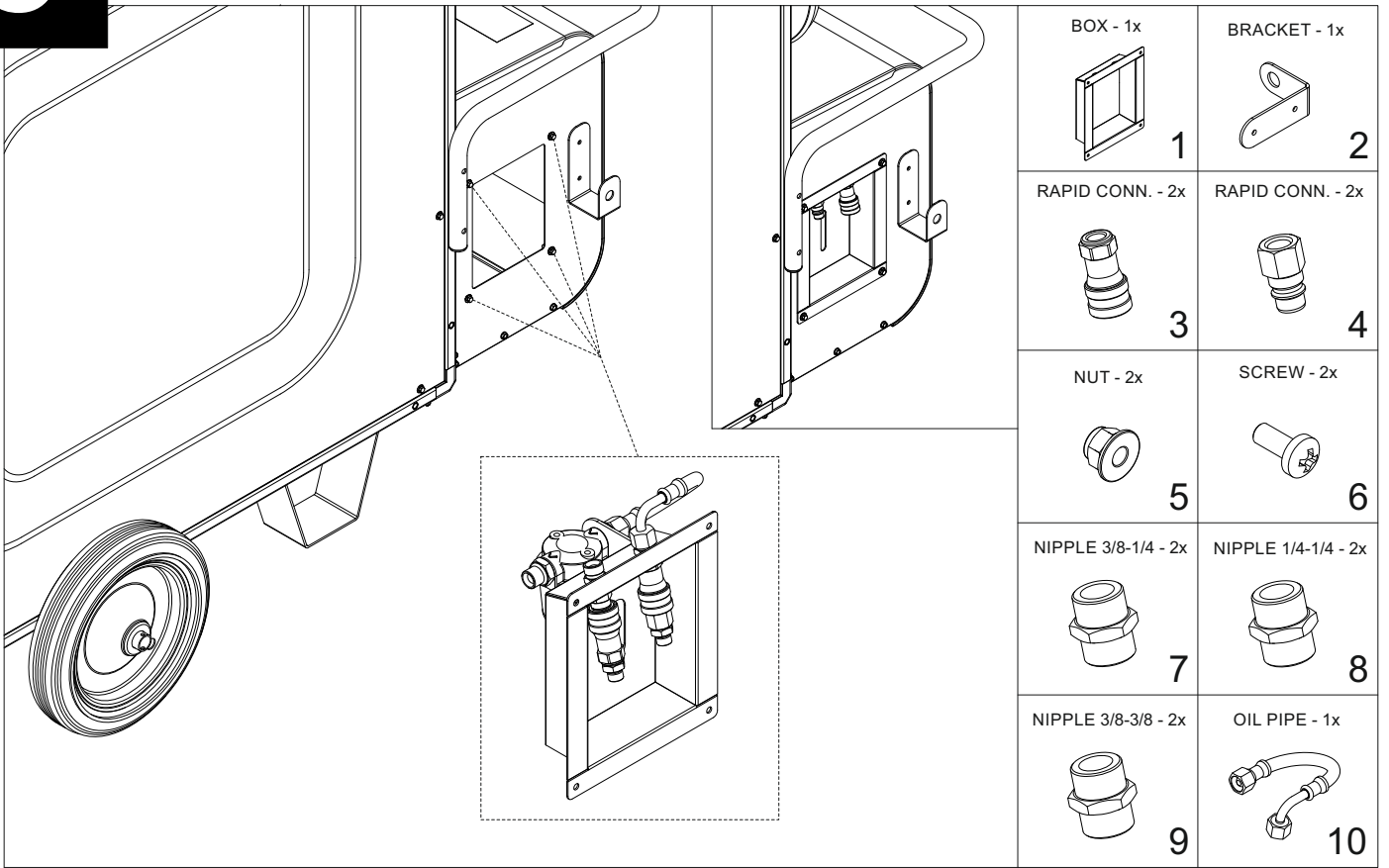


WHEELS ALXE - 1X



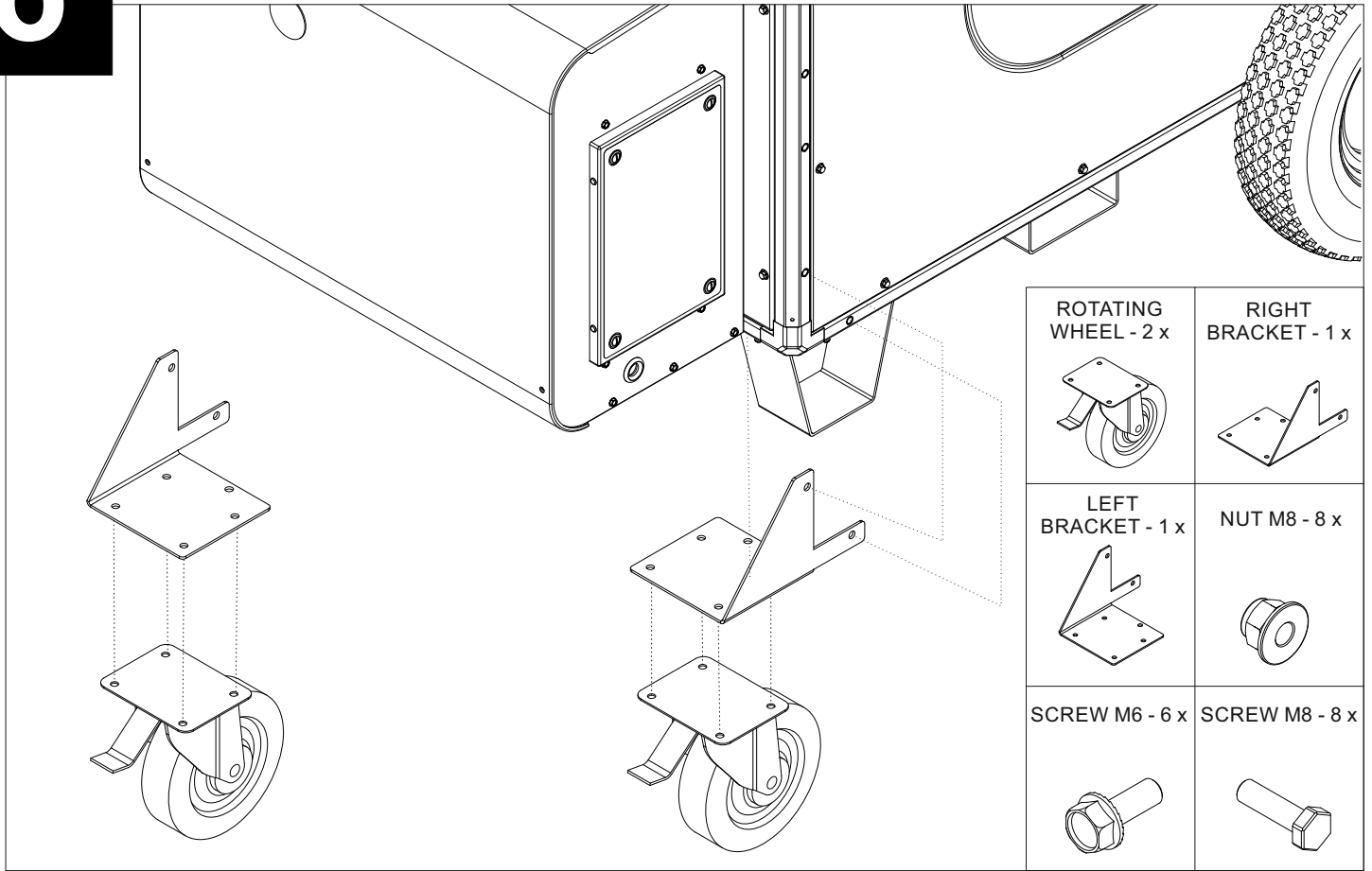
5

RAPID FUEL CONNECTION KIT



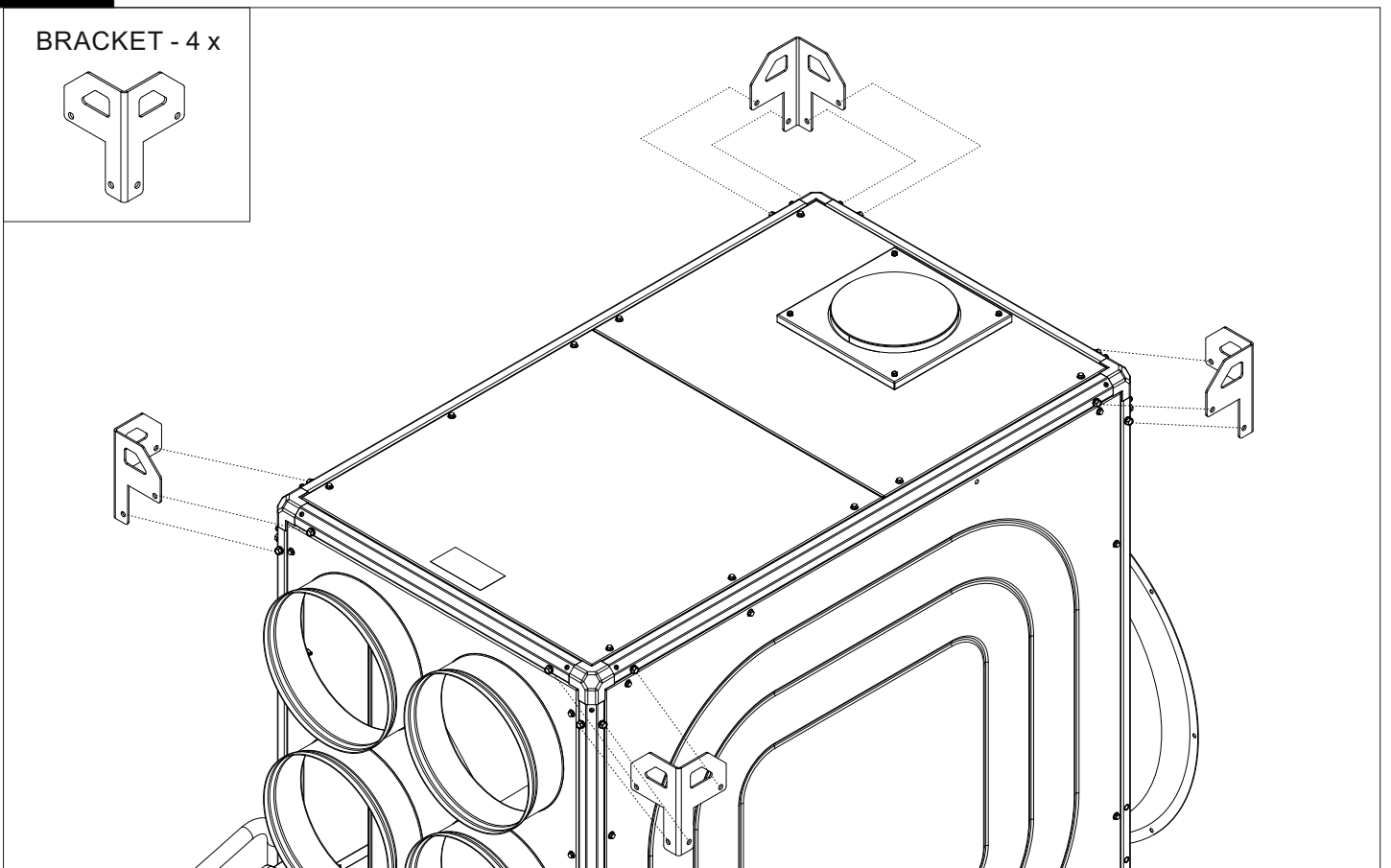
6

ROTATING WHEELS KIT



7

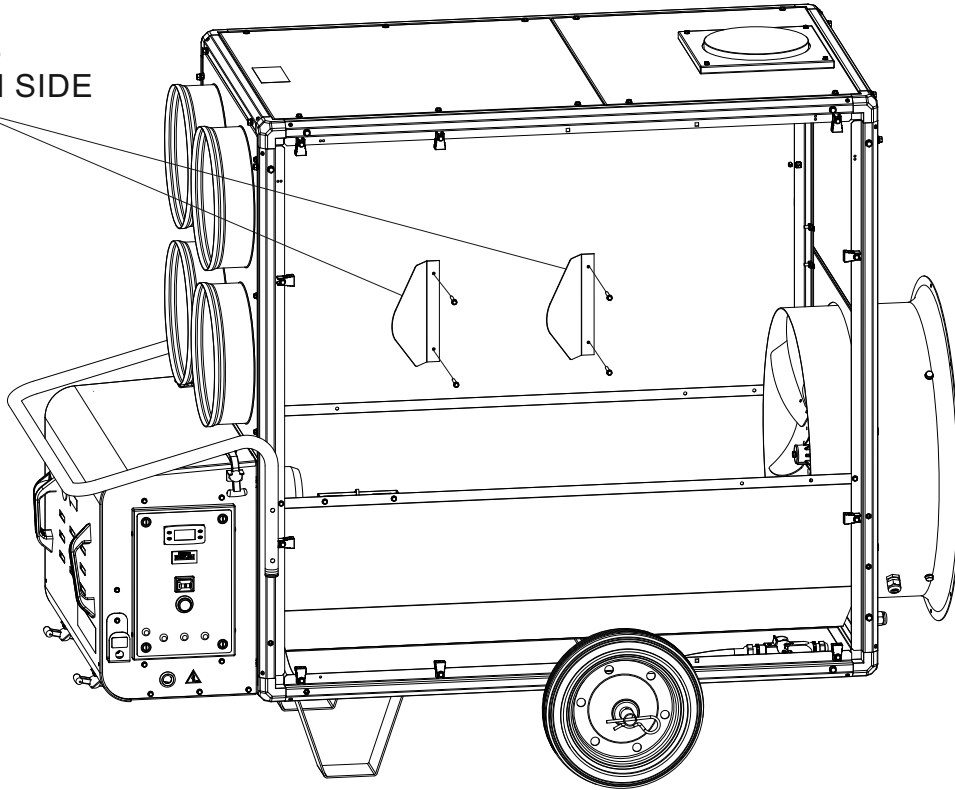
LIFTING BRACKETS KIT



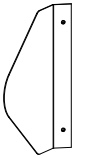
8

AIR FLAP KIT

2x FLAPS
ON EACH SIDE



FLAP - 4 x

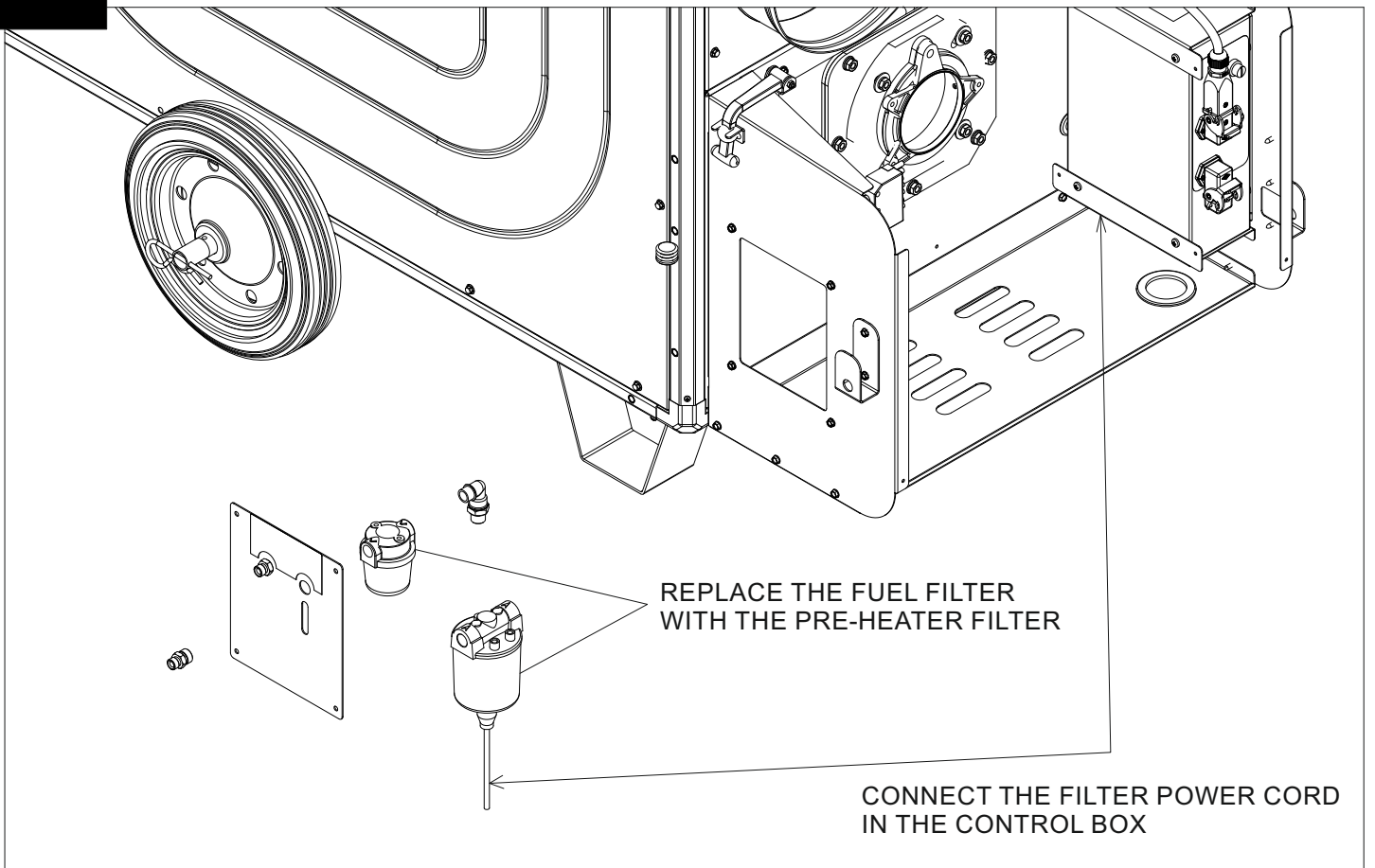


SCREW
16 x



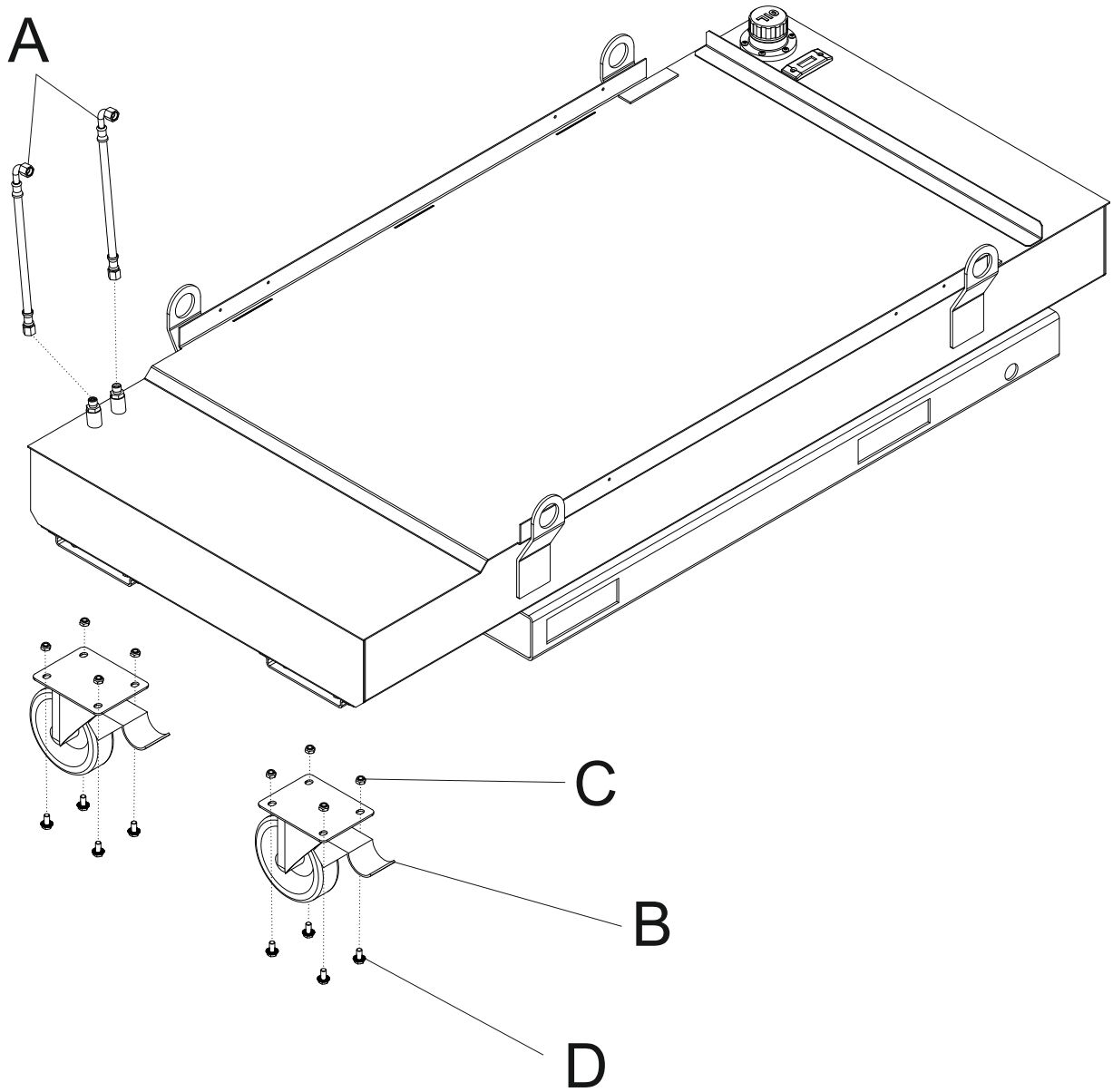
9


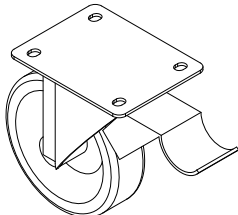

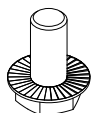
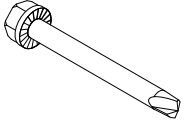
PRE-HEATER FUEL FILTER

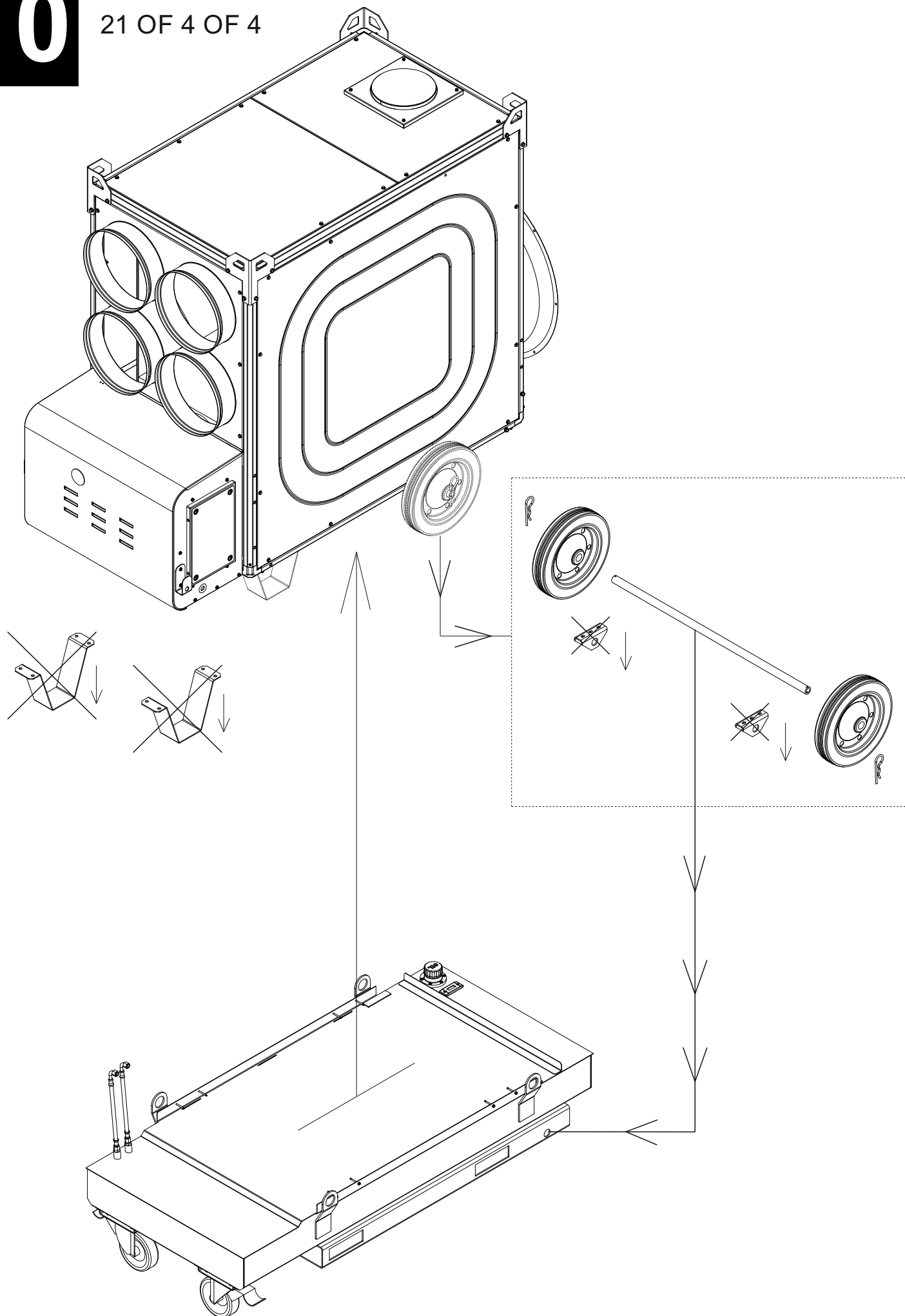


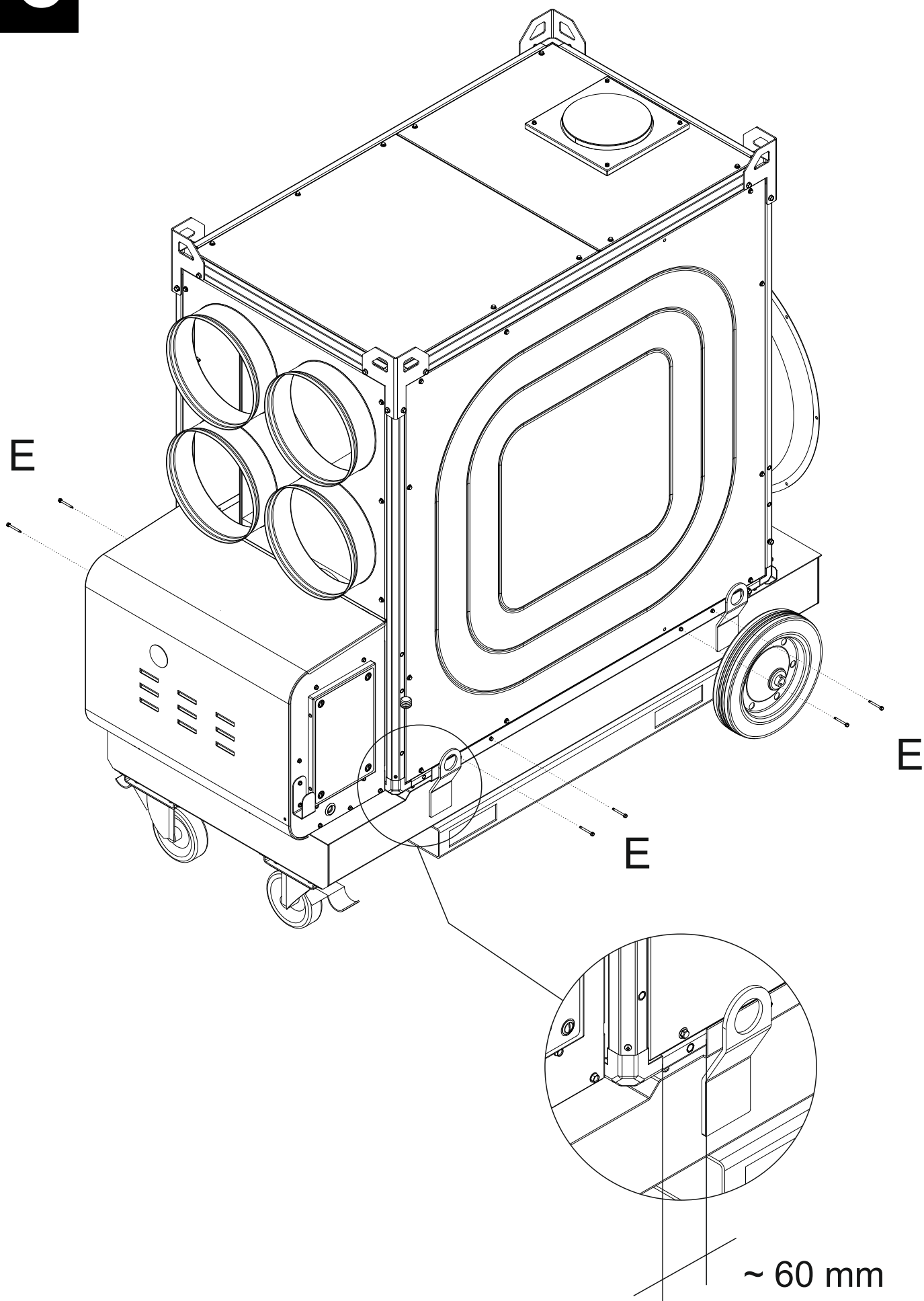
REPLACE THE FUEL FILTER
WITH THE PRE-HEATER FILTER

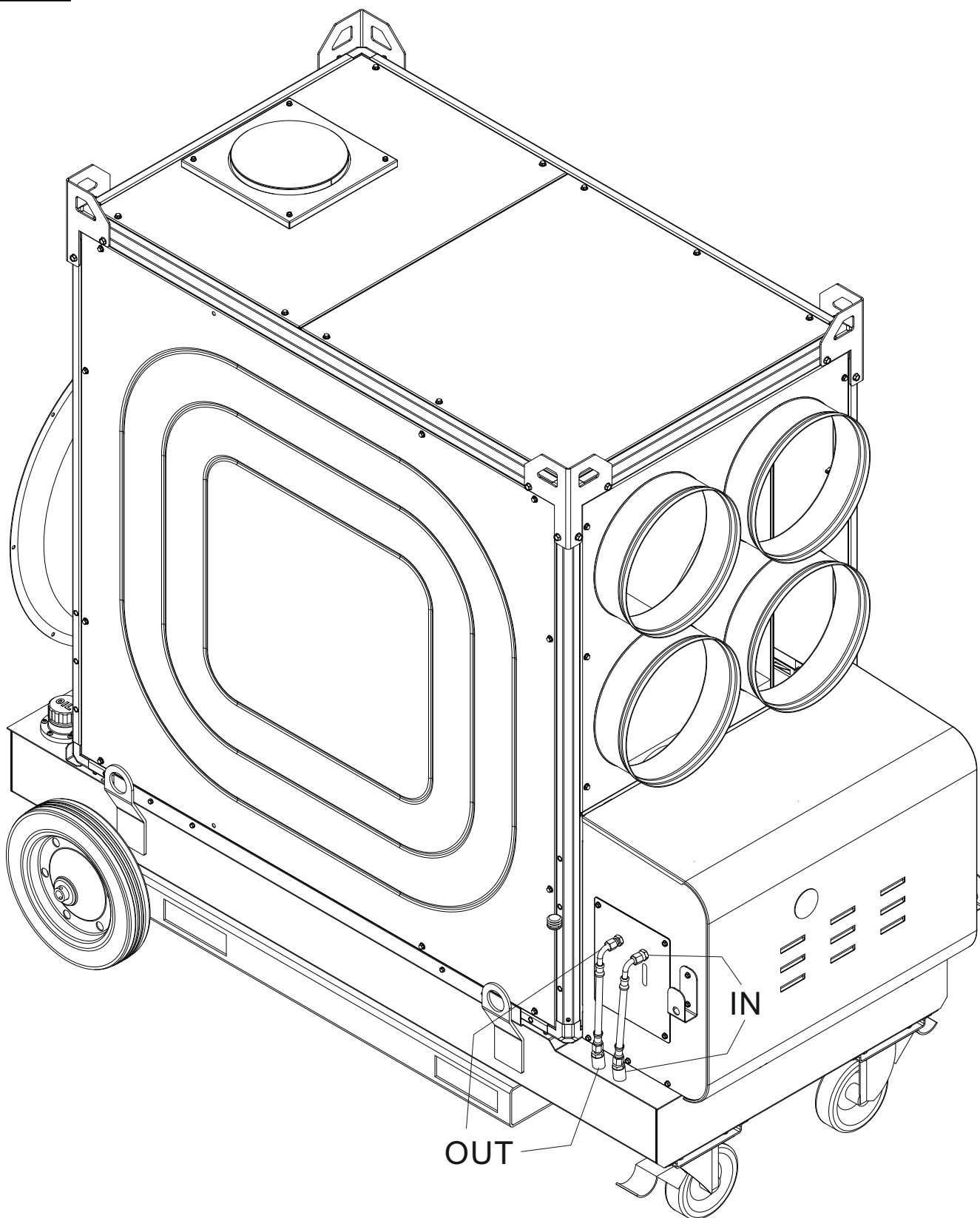
CONNECT THE FILTER POWER CORD
IN THE CONTROL BOX



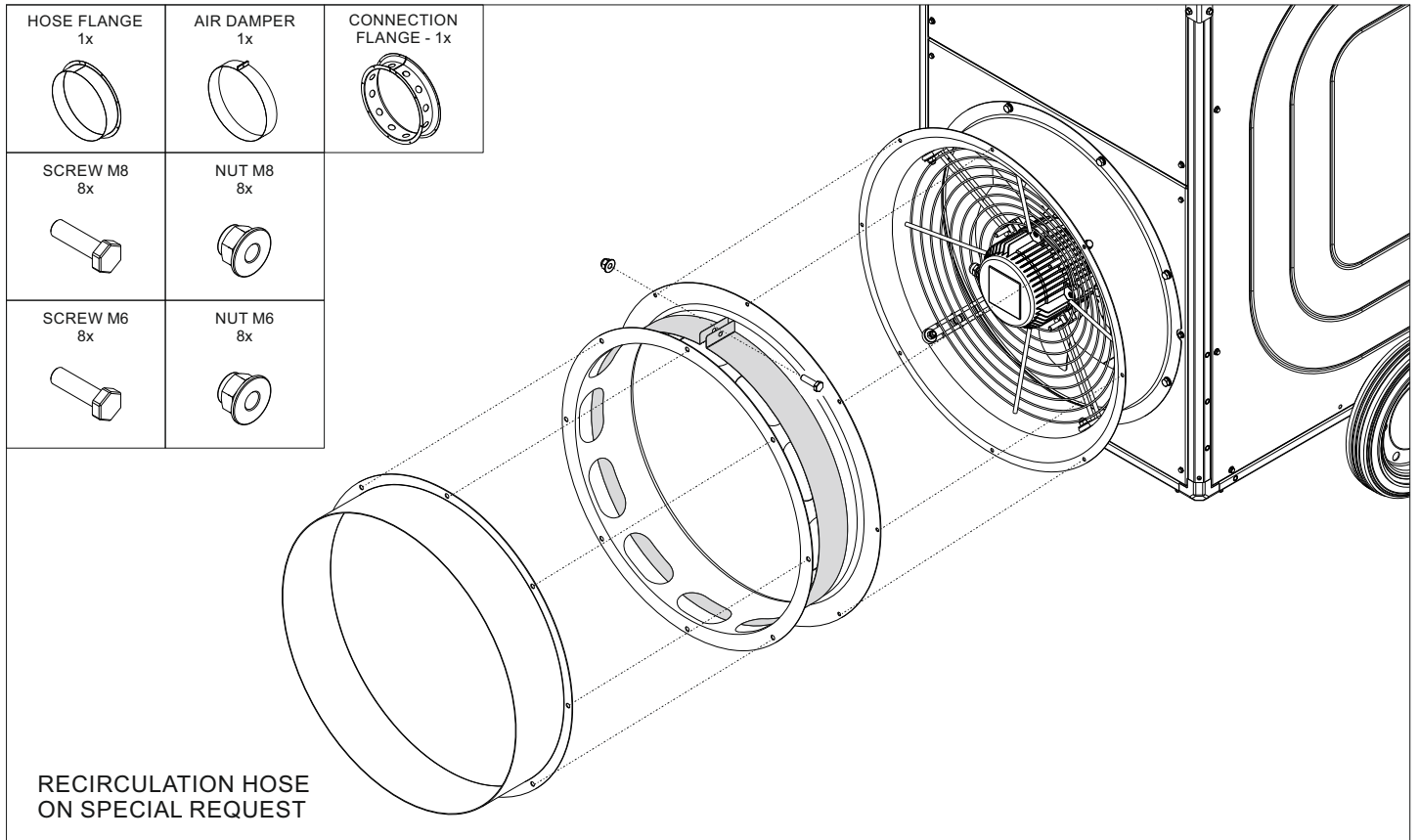
A	B	C	D	E
				
x°2	x°2	x°8	x°8	x°8







AIR RECIRCULATION KIT



4240.579