



QUALITY SPACE HEATERS



Installation & Control Guide for Sun-Zone Radiant Heaters for SL Wireless Controllers

Models

HE6502SL 2kW, HE6503SL 3kW

All electrical appliances produced for the Company are guaranteed for one year against faulty material or workmanship. This applies only if the appliance has been used for purposes in accordance with the instructions provided and has not been connected to an unsuitable electricity supply, or subject to misuse, neglect, damage or modified or repaired by any person not authorised by us. This guarantee is offered to you as an extra benefit and does not affect your legal rights.

The correct electricity supply voltage is shown on the rating label attached to the appliance.

Reasonable care has been taken to ensure that this guide is accurate at the time of printing. In the interest of progress the Company reserve the right to vary specifications from time to time without notice.

Overview

Please read this guide carefully and retain for future use and maintenance.

This appliance has been designed and manufactured to the highest international standards, however, care must be taken for optimal results and safety. This appliance also meets the requirements of EU Directive 2004/106/EC for EMC and 2009/125/EC Directive.

Safety & Care

The appliance is not intended for use by persons (including children) with reduced physical, sensory or mental capabilities or lack of experience and knowledge unless they have been given supervision or instruction concerning use of the appliance by a person responsible for their safety.

Warning

- Do NOT site the appliance into a corner.
- Do NOT use the appliance in workshops or rooms where excessive dust is generated or present.
- Do NOT touch outlet grille when the appliance is in use.
- Do NOT cover or restrict any aperture of the appliance when in use.
- Do NOT use the appliance if damaged.
- Do NOT leave the appliance unattended.
- Do Not use the heater in hazardous areas.

Cleaning

Always disconnect the heater from the mains before cleaning. The heater should not require any maintenance, but it is strongly advised that it is kept clean. An occasional wipe over with a soft cloth is all that should be necessary.

- Do NOT use metal or furniture polish on any part of the heater.
- Do NOT touch the heater with wet hands or in any way bring water into contact with it.

If the supply cord is damaged, it must be replaced by the manufacturer or its service agent or a similarly qualified person in order to avoid a hazard.

If Your Heater Does Not Work

- Check that power is available to the heater. The LED light on the SL receiver should be illuminated
- Check that the fuse in the spur unit has not blown. This can be done by replacing the fuse with another suitable fuse.
- Check if the heater is paired with the SL controller

Should none of the above remedies work, then telephone the helpline number shown in these instructions (UK ONLY). Do not attempt to repair the heater.

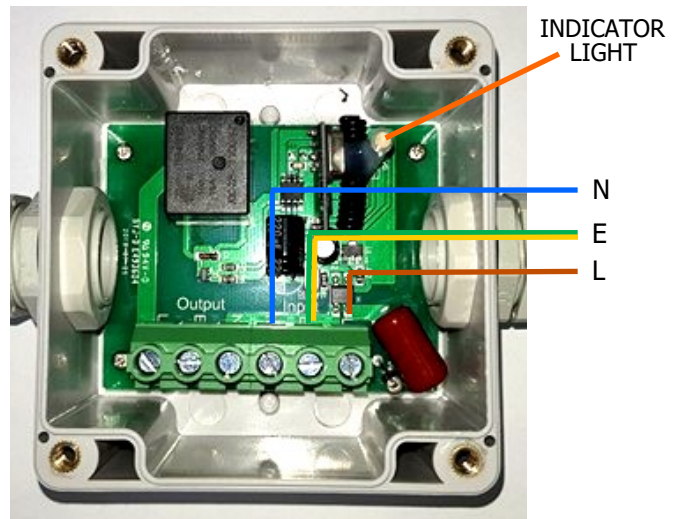
Connection to the Main Supply

Electrical installation should be carried out by a competent installer, preferably registered with NICEIC in accordance with the 17 edition of the IEE Wiring Regulations, (BS.7671), and any relevant Local Authority Bye-Laws. This heater is fitted with a 3-core mains supply cable and should be permanently connected to the electricity supply via a double pole switch having 3mm gap on each pole. A switched Fused Connection unit to BS.1363. Part 4 is a recommended mains supply connection accessory to ensure compliance with safety requirements applicable to fixed-wiring installation.

Note: When switched on for the first time the appliance may emit a slight smell.

WARNING: This appliance must be earthed.

When refitting the lid care must be taken to align the light pipe on the lid with the indicator light.



Spare Parts

- 2 kW element for HE6502SL - HE6522
- 3 kW element for HE6503SL - HE6523
- Pair of Mounting brackets - HE6524

Element replacement.

Ensure mains supply is off, remove the terminal cover and disconnect the element leads from the terminal block.

Slide off the wire guard and remove the screw holding the element support nearest the terminal block. Straighten the support clips at the back of the reflector and pushout the failed element. Fit new element in reverse order.

Assembly

Sun-Zone provides a wide beam distribution of radiant heat. Each unit is supplied complete with a fitted metal sheathed wire element, wire guard and a pair of mounting brackets.

Installation

The Sun-Zone must not be mounted close to a wall or ceiling. The minimum distances are shown below in figure 1.

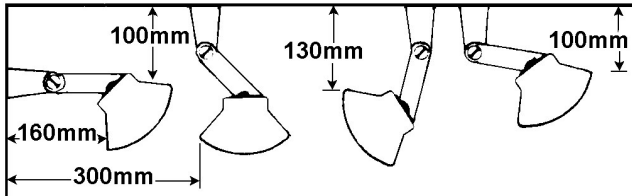


Figure 1

The Sun-Zone should be mounted at a minimum height of 2.1m from the floor.

The Sun-Zone can be wall or ceiling mounted, it can also be suspended on chains or conduit as shown in Figure 2.

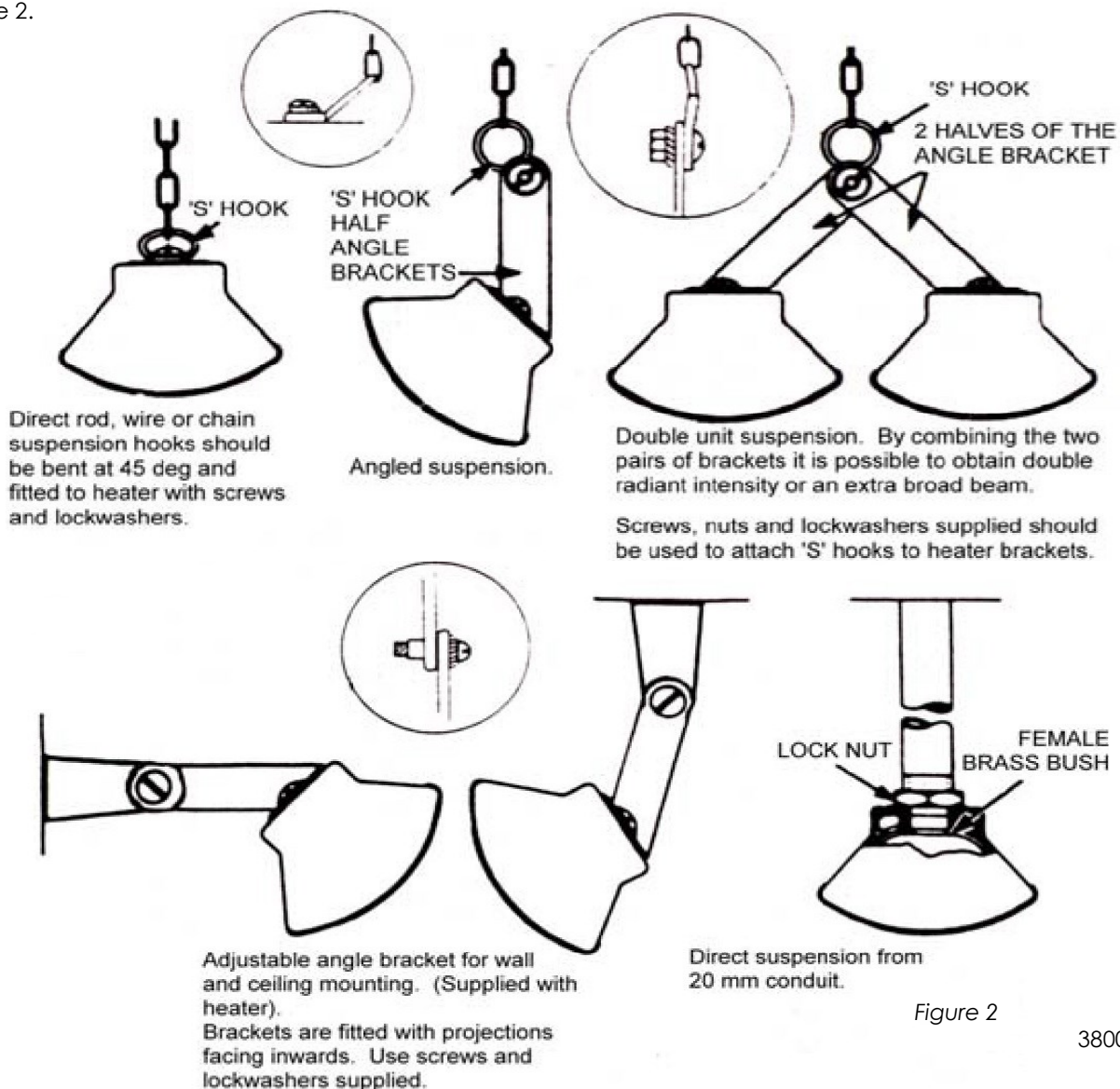


Figure 2

Fixing centers

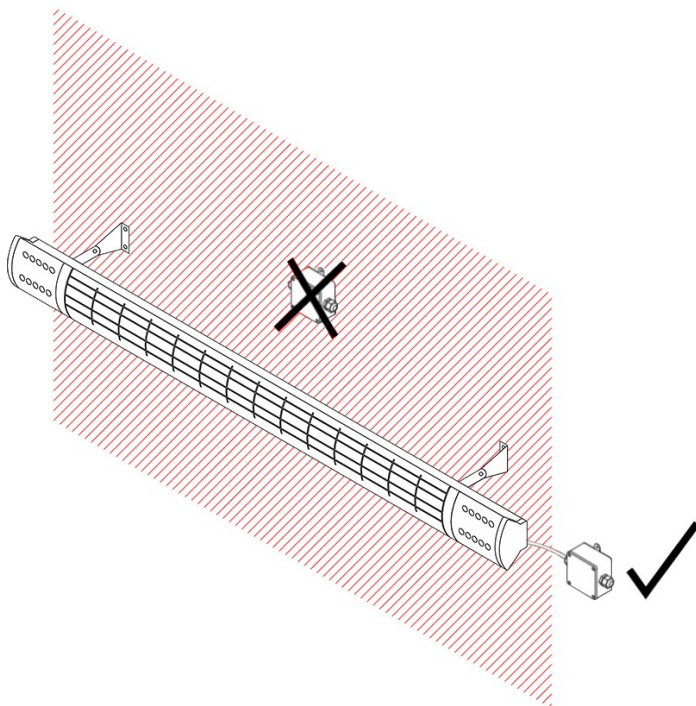
Part No.	Bracket/Chain	Conduit
HE6502SL	1170mm	1250mm
HE6503SL	1570mm	1660mm

Special Note

Sun-Zone uses a metal sheathed wire element and it is a characteristic of this element that a small amount of moisture can be absorbed from the atmosphere during storage or even after installation if not in regular use. It is possible that the amount of moisture absorbed could decrease the earth leakage resistance with spurious operation of the current sensitive earth leakage circuit breaker recommend for the Sun-Zone circuit. Should such a condition occur, disconnect the heater and run for a few minutes in the circuit without the earth leakage protection, this will drive off any offending moisture. Return the circuit to its correct state with the RCCB connected. This must only be carried out by a competent electrician.

SL Receiver Installation

The heater is supplied with the SL wireless receiver pre wired. The cable length is approximately 0.9m. The controller should be screwed to the wall with 2x number 4 or 5 screws and suitable wall plugs. Care should be taken when installing the receiver. It must not be positioned above, behind or below the heater. Ideal position is on the side, minimum 250mm from the heater. When the heater is suspended from the ceiling, the SL receiver should be installed on the ceiling as far as possible from the heater to avoid damaging the electronic components when connecting mains cable to the receiver. If the cable between the heater and the SL receiver needs replacing or extending, the same 2.5mm high temperature flexible cable must be used.



Operation

When the appliance is connected to the mains supply, the LED indicator will light up green, showing that the power is available to the unit.

When the heat output has been enabled by a controller, the LED indicator light will turn red.

This heater can only be used when connected to any SL wireless controller. Each SL controller can control any number of heaters providing they are in the RF range.



SL wireless controllers

Please refer to the SL user and operating instructions for full operational details.

CUSTOMER HELPLINE

Should you need any advice on the use of your new Consort product, please contact our Helpline:

Consort Equipment Products Limited

Thornton Industrial Estate, Milford Haven, Pembrokeshire, SA73 2RT

Tel: 01646 692172 Fax: 01646 695195

Email: technical@consortep.com Web: www.consorptep.com

Operation hours: Mon to Thu 8.30am to 4.30pm | Fri 8.30am to 3.30pm

BS EN ISO 9001 Registered Company No FM12671