



Installation & operation guide for Warm Air Curtains

Model

HE8320 & HE7426

All electrical appliances produced by the Company are guaranteed for one year against faulty materials or workmanship. This applies only if the appliance has been used for purposes in accordance with the instructions provided and has not been connected to an unsuitable electricity supply, or subject to misuse, neglect, damage or modified or repaired by any person not authorised by us. This guarantee is offered to you as an extra benefit and does not affect your legal rights.

The correct electricity supply voltage is shown on the rating label attached to the appliance.

Reasonable care has been taken to ensure that this guide is accurate at the time of printing. In the interest of progress the Company reserve the right to vary specifications from time to time without notice.

Overview

Please read this guide carefully and retain for future use and maintenance. This appliance has been designed and manufactured to the highest international standards, however, care must be taken for optimal results and safety. This appliance also meets the requirements of EU Directive 2004/106/EC for EMC and 2009/125/EC Directive.

Safety & Care

The appliance is not intended for use by persons (including children) with reduced physical, sensory or mental capabilities or lack of experience and knowledge unless they have been given supervision or instruction concerning use of the appliance by a person responsible for their safety. Children should be supervised to ensure that they do not play with the appliance.

Warning

- Do NOT site the appliance in a corner.
- Do NOT handle the appliance with wet hands.
- Do NOT use the appliance in workshops or rooms where excessive dust is generated or present.
- Ensure that nothing is pushed into any aperture of this appliance.
- Do NOT touch outlet grille when the appliance is in use.
- Do NOT cover or restrict any aperture of the appliance when in use.
- Do NOT use the appliance if damaged.
- Do NOT leave the appliance unattended where young children are present.

Models

These units are 1035mm wide 4.5kW & 6kW modular heaters designed for mounting above doorways and similar entrances, and may be used as space heaters. 622mm wide 3kW and 4.5kW modules are also available.

Thermally Operated Cut-Out

The appliance is fitted with a thermally operated cut-out (TOC). This is a safety device, which switches the heater off if, for any reason,

the appliance overheats. The TOC can only be re-set after the appliance has cooled down. In order to re-set the TOC, proceed as follows:

- Switch off appliance at mains and leave for approximately 10 minutes.
- Switch appliance back on and TOC will re-set.
- Ensure that the appliance is functioning correctly. If the TOC control operates again, the appliance should be checked by a competent electrician.

The heater carries a 'Do Not Cover' label to warn the user that if the appliance is covered, there is a risk of overheating.

Maintenance

Always ensure that the main external electricity supply is switched off before attending to the servicing of your Claudgen heater.

To obtain best results from your heater it is necessary to avoid the build up of dust and dirt within the unit and on the air inlet and discharge grilles. For this reason regular cleaning is necessary, paying particular attention to the removal of dirt build up on the rotor blades. A single drop of light oil should be applied to the motor bearing from time to time.

If Your Heater Does Not Work

- Check that power is available to the heater. The LED light should be illuminated
- Check that the thermal cut-out has not operated. Follow the reset instructions given under the section headed 'Thermal Operated Cut-out'.
- Check that the fuse in the spur unit has not blown. This can be done by replacing the fuse with another suitable fuse.

Should none of the above remedies work, then telephone the helpline number shown in these instructions (UK ONLY). Do not attempt to repair the heater.

Connection to the Main Supply

Electrical installation should be carried out by a competent installer, preferably registered with NICEIC (National Inspection Council for Electrical Installation Contracting) in accordance with the 17th edition of the IEE Wiring Regulations, (BS.7671), and any relevant Local Authority Bye-Laws. The Heat-Zone can be connected in a number of ways depending on the form of control required.

Whichever method is used, it should be permanently connected to the electricity supply via a double pole switch having 3mm gap on each pole. A switched Fused Connection unit to BS.1363. Part 4 is a recommended mains supply connection accessory to ensure compliance with safety requirements applicable to fixed-wiring installation.

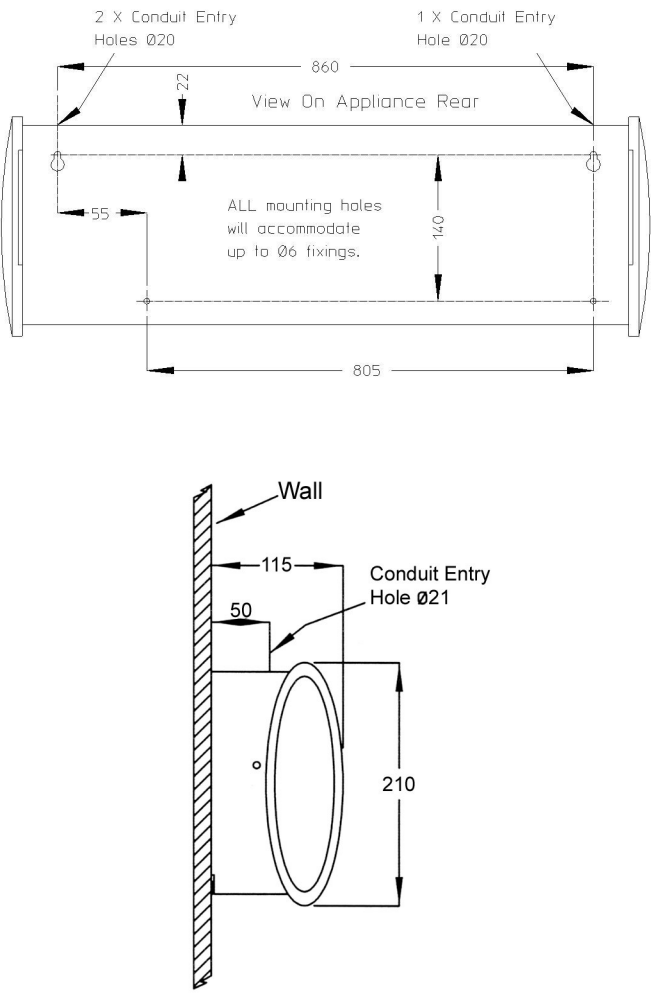
Note: When switched on for the first time the appliance may emit a slight smell. This is purely the evaporation of a fluid used in the manufacturing process.

WARNING: This appliance must be earthed.

Mounting

When mounted over a standard shop doorway the unit should be fitted as low as possible and not more than 2.3 meters from ground level. A single unit will provide reasonable coverage for a one metre doorway, and for wider doorways units can be mounted end to end.

The unit should be positioned so that the airflow is not obstructed by any part of the doorframe.

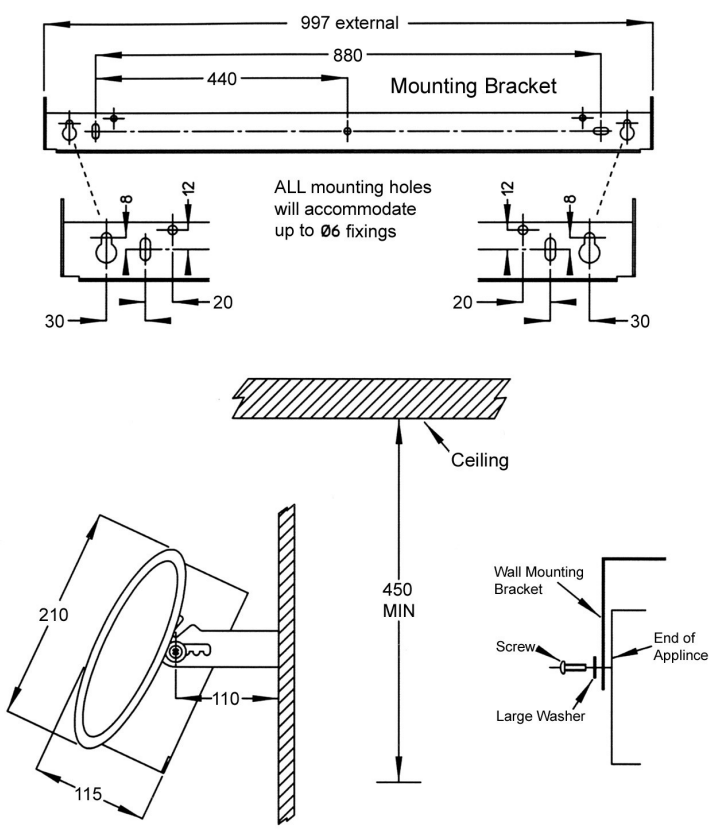


Installation

Carefully unpack the unit and remove the top cover fixing screws. The heater may be mounted using the mounting bracket provided.

Loosen mounting screws, allowing the mounting bracket to be removed from the unit. Making sure that the mounting bracket is horizontal, fix the bracket to the wall using 4 x No 8 wood screws.

Place the unit on the mounting bracket ensuring the washers are spaced as shown on diagram 2 (a plain washer either side of the mounting bracket). Tighten screws to hold the unit at the required angle.



Wall bracket assembly

The heater may also be mounted directly onto a suitable wall or bearer by four No. 8 wood screws through the holes provided in the back of the unit casing. Keyhole slots are provided for the top two fixings.

Electrical connections

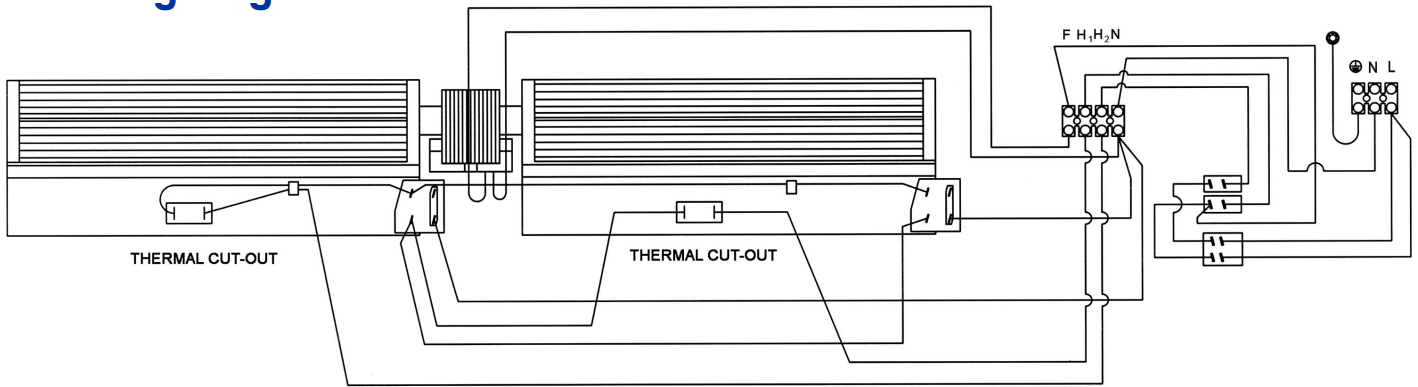
These units are suitable for connection to a 230/240 volt 50 Hz single phase ac supply. The heaters consume 4.5kW & 6kW respectively at 240 volts when switched to the full heat position.

Model HE8320 – 4.5kW

Model HE7426 – 6kW

The appliance should be connected to the supply via a circuit in which there is an all-pole switch. Test for correct operation and refit the cover.

Wiring diagram



NOTE: The unit **MUST** be reliably earthed.

Operation

The right hand switch connects the mains supply to the fan motor (giving a cool airflow) and energises the heat control switches.

Heat control HE8320

When the centre switch (marked with a single bar) is pressed the heat output is 1.5kW. When the left-hand switch (marked with two bars) is pressed the heat output is 3kW. When both switches are pressed the heat output is 4.5kW.

Heat control HE7426

When the centre switch (marked with a single bar) is pressed the heat output is 3kW. When the left-hand switch (marked with a single bar) is pressed the heat output is 3kW. When both switches are pressed the heat output is 6kW.

To replace a switch

1. Remove the top cover.
2. Release the three fixings which secure the switch bracket to the right hand side of the main case.
3. Remove the push-on connectors, noting their position.
4. Remove by compressing the plastic retaining tabs, and lifting out the switch.

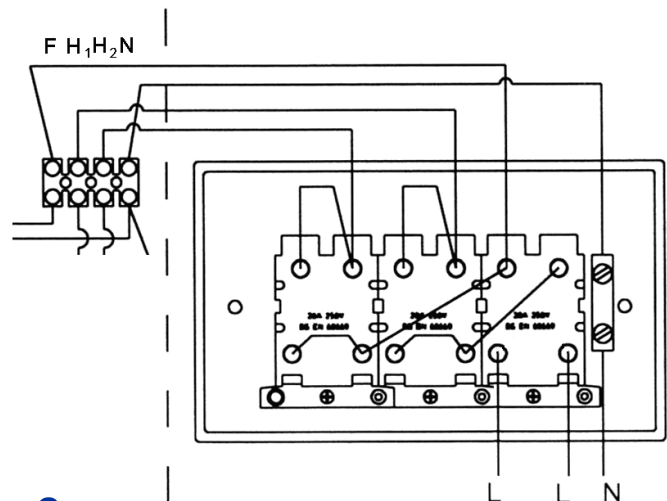
To replace the fan heater assembly

Remove the top cover.
Disconnect the internal wiring from the main terminal block and earth stud.
Release the three fixings which secure the switch bracket to the right hand of the main case.
Remove the four nuts and washers fixing the fan heater assembly to the back of the case.
The fan heater assembly can now be eased forward and removed from the heater case.
Fit replacement fan heater and reassemble in reverse order.

Remote control—HE8407

NOTE: This unit is suitable for remote control operation, with the use of remote control switch part no. HE8407. The two independent feeds must be used on 6kW heaters as shown on the diagram.

This optional control switch is useful if you have the unit mounted up high, as you would need a step ladder to reach the switches. You can fit the HE8407 lower down, allowing you to easily change the heat settings.



Spares

It is essential when ordering spares or replacement parts to state the model number and the serial number on the rating plate fixed to the top of the unit.

In the interest of progress the Company reserve the right to vary specifications from time to time without notice. The material listed is offered subject to the Company's General Conditions of Sale, a copy of which can be obtained on request.

NOTE: DO NOT COVER any of the air inlet or outlet grills, at any time.

CUSTOMER HELPLINE

Should you need any advice on the use of your new Consort product please contact our Helpline:

Consort Equipment Products Limited

Thornton Industrial Estate, Milford Haven, Pembrokeshire, SA73 2RT

Tel: 01646 692172 Fax: 01646 695195 Email: technical@consortepl.com Web: www.consortepl.com

Operation hours: Mon to Thu 8.30am to 4.30pm | Fri 8.30am to 3.30pm

BS EN ISO 9001 Registered Company No FM12671