



Installation & Control Guide for Weatherproof Quartz-Zone Radiant Heaters

Models

QZWP15N, QZWP30N, QZWP45N

All electrical appliances produced by the Company are guaranteed for one year against faulty materials or workmanship. This applies only if the appliance has been used for purposes in accordance with the instructions provided and has not been connected to an unsuitable electricity supply, or subject to misuse, neglect, damage or modified or repaired by any person not authorised by us. This guarantee is offered to you as an extra benefit and does not affect your legal rights.

The correct electricity supply voltage is shown on the rating label attached to the appliance.

Reasonable care has been taken to ensure that this guide is accurate at the time of printing. In the interest of progress the Company reserve the right to vary specifications from time to time without notice.

Overview

Please read this guide carefully and retain for future use and maintenance.

This appliance has been designed and manufactured to the highest international standards, however, care must be taken for optimal results and safety. This appliance also meets the requirements of EU Directive 2004/106/EC for EMC and 2009/125/EC Directive.

Electrical Safety.

WARNING! It is the responsibility of the owner and the operator to read, understand and comply with the following: You must check all electrical products, before use, to ensure that they are safe. You must inspect power cables, plugs, sockets and any other connectors for wear or damage.

You must ensure that the risk of electric shock is minimised by the installation of appropriate safety devices. A Residual Current Circuit Breaker (RCCB) should be incorporated in the main distribution board. If in any doubt consult a qualified electrician.

You must also read and understand the following instructions concerning electrical safety.

- The Health & Safety at Work Act 1974 makes owners of electrical appliances responsible for the safe condition of those appliances and the safety of the appliance operators. If in any doubt about electrical safety, contact a qualified electrician.
- Ensure that the insulation of all the cables on the appliance is safe before connecting it to the power supply.
- Ensure that the cables are always protected against short circuit and overload.
- Regularly inspect the power supply cables and plugs etc. for wear or damage and check all connections to ensure that none are loose.
- Important: Ensure that the voltage marked on the appliance matches the power supply to be used and that a correctly rated fuse is fitted.
- DO NOT pull or carry the appliance by the power cable.
- DO NOT use worn or damaged cables, plugs or connectors. Immediately have any faulty item repaired or replaced by a qualified electrician.
- Installation should always be carried out by a qualified electrician or a competent person in accordance with current electrical regulation, protected by a suitably rated isolator and fuse.
- This heater is IP55 rated and is suitable for outdoor use. To maintain the protection rating all connections to the mains must be done with a minimum of IP55

equipment.

- The mains lead is made from high temperature cable, not a standard PVC cable and as such should not be replaced without consulting a suitable qualified electrician.
- Ensure that the mounting bracket is adequately earthed.
- Use of an extension cord is not recommended.

General Safety

- Remove all packaging and store it away from children, check the package and heater for visible damage or tampering.
- Familiarise yourself with the applications and limitations of the heater.
- Ensure the heater is in good order and condition both physically and electrically before use. If in any doubt do not use the unit and contact an electrician.
- Only use recommended attachments and parts. To use unauthorised parts may be dangerous and will invalidate your warranty.
- Check that the lamp guards are in place, undamaged and firmly attached.
- Keep tools and other items away from the heater when it is in use.
- Keep the work area clean and clear of unnecessary items.
- Keep children and unauthorised persons away from the heater, as it gets **very hot**.
- Disconnect from mains and allow to cool before moving or attempting any cleaning or maintenance.
- **DO NOT** installed in areas where hazardous vapours may be present.
- **DO NOT** subject the heater to prolonged exposure to water. The product is IP55 rated.
- **DO NOT** locate the heater below the power outlet.
- **DO NOT** move the heater whilst in operation or even when still warm.
- **DO NOT** touch the heater lamps, even when cold.
- **DO NOT** disassemble the heater for any reason. This heater must be checked by qualified personnel only.
- **DO NOT** use this heater to perform a task for which it has not been designed.
- **WARNING!** If a fuse blows, ensure it is replaced with an identical fuse type and rating.
- If removed from its mounting position when not in use, store the heater carefully in a safe, dry, child proof location.
- **WARNING!** Never touch the lamps directly with your fingers. Use a soft cloth, otherwise the tubes may get damaged.
- **WARNING!** This heater is not equipped with a device to control the room temperature. Do not use this heater in a small room if it is occupied
- by people not capable of leaving the room on their own, unless constant supervision is provided.
- **WARNING!** Ensure the heater is at least 1m from any object and there is no possibility of inflammable materials coming into contact.

Specification.

This heater produces a totally dry heat, no condensation, no gas, no fumes and no smell. It reaches maximum heat output within seconds of being turned on and has a highly polished aluminium reflector for maximum heat efficiency. It adjusts horizontally through 90° while mounted. And is ideal for industrial or domestic applications, IP55 rated.

Model	QZWP45N	QZWP30N	QZWP15N
Power	4500w	3000w	1500w
Input Supply	240/415v 50Hz	240v 50Hz	240v 50Hz
Dimensions	1440x125x 125mm	960x125x125 mm	480x125x125 mm

Mounting Instructions.

WALL MOUNTING

IMPORTANT! The following points should be noted: **The heater should always have a minimum clearance of 500mm from a ceiling and at least 1000mm from any object.**

IMPORTANT! Ensure that the mounting surface is capable of supporting the weight of the heater.

IMPORTANT! The heater should be mounted horizontally where possible or at a maximum angle of 35 degrees from the horizontal.

IMPORTANT! The mounting bracket must be sufficiently earthed.

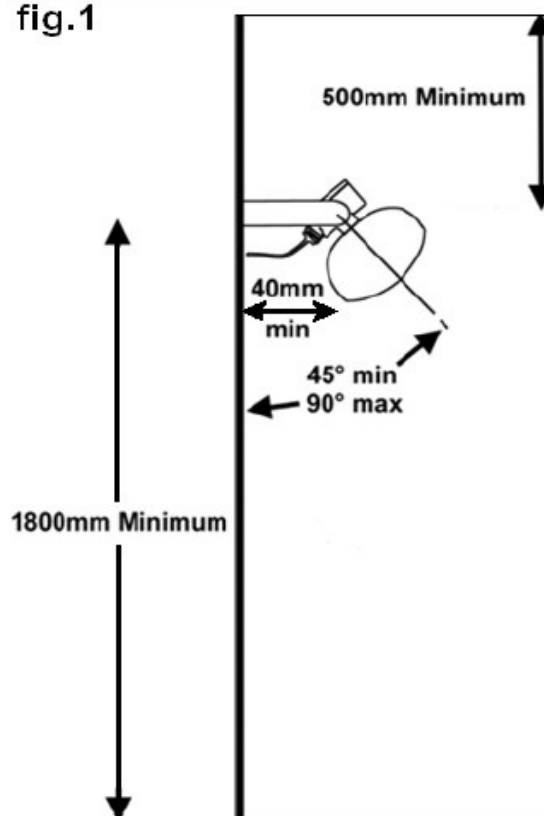
- Remove the wall mounting bracket from the heater by removing the two bolts from either end of the bracket.
- Before drilling ensure that there are no wires or water pipes in the area where the heater is to be placed.
- Use the bracket as a template. Fix the metal bracket to the wall by using a minimum of 3 holes and appropriate fixings (not supplied).
- Refit the heater back onto the bracket,
- Adjust the angle of heater to direct heat where required, between 45° and 90° (see fig.1).
- Now tighten up the two bolts tightly

PARASOL MOUNTING.

IMPORTANT! Only the QZWP30N is capable of parasol mounting.

the supplied bracket for clamping to a parasol arm. You must ensure the canvas / material of the parasol is at least 500mm away from the back of the heater and can not come into contact with high winds.

fig.1



Electrical connections

WARNING: Ensure that the electrical supply is isolated and made safe before making any electrical connections.

WARNING: The Quartz heater must be connected to a known good earth. The terminal block earth terminal is clearly marked with the standard earth symbol.

NOTE: If Quartz heaters are NOT being used in conjunction with a Quartz driver unit then, because of the high surge currents associated with tungsten loads, it is recommended that Type 'B' circuit breakers are used with a current rating of 2 x the heater load.

Connection to a Switched Fused Spur / Isolator.

- Connect the GREEN/YELLOW earth wire to the earth connection.
- Connect the BROWN live wire to the live connection.
- Connect the BLUE neutral wire to the neutral connection.
- After wiring, check that there are no bare wires, that all wires have been correctly connected, that the cable outer insulation extends beyond the cable restraints and that the restraint is tight.

Electrical Connections.

Single To 3 Phase Conversion.

IMPORTANT! Only the QZWP45 can be used on 3 phase.

Please make sure you have read the Safety instructions and you are a suitably qualified 3phase electrician before continuing.

- Open electrical box on back of heater
- Undo the screw in the terminal block clamping the 3 live cables coming from the lamps.
- Move one of the cables to terminal marked L3
- Move the second cable to terminal marked L2
- Make sure the remaining cable is still in L1 and tighten up all the screws.
- YOU SHOULD NOT TOUCH ANY OF THE NEUTRAL CABLES COMING FROM THE LAMPS
- Now remove the mains cable and replace with suitable rated 5 core 3 phase cable. This must be high temperature silicon cable.
- Heater needs to be connected L1, L2 L3, Neutral and Earth.

Operation.

Note: The infrared lamps in this heater are fragile as such it is important that they are not subjected to any unnecessary shocks or vibration and is not moved when in use. Wait till the heater has cooled down before moving.

- **WARNING! Ensure you read, understand and apply the safety instructions in Section 1 before using the heater.**
- Ensure the heater is at least 1000mm from any object. The heater can be tilted from 45° to 90° set it to the required angle before switching the heater on. Adjust the heater angle by loosening the two bolts on the wall mounting bracket. Tighten the bolts again when the desired angle is reached.
- Ensure that the mains supply is adequately protected and that the mounting bracket is earthed, then switch on.
- Make sure the heater is disconnected from

the mains supply before any cleaning is attempted. Also allow the heater to cool completely.

- When the heater is no longer required, switch off and if possible unplug the unit.
- Clean the exterior with a soft damp cloth.
- To replace any of the lamps, contact your authorised dealer.
- The mains lead is made from high temperature cable, not a standard PVC cable and as such should not be replaced without consulting a suitable qualified electrician.

Maintenance.

Note: Before examining or carrying out any maintenance ensure the heater has cooled down and is disconnected from the mains supply.

The heater contains no moving parts and therefore very little maintenance is required other than to ensure that there is no excessive build-up of dust/dirt on the reflectors or emitters as this can cause overheating and premature emitter failure. To clean the appliance, turn off and disconnect from mains supply, allow to cool then wipe with a damp cloth.

Spares.

Note: Spare are available from your distributor
Please quote the following Lamp codes when requesting spares.

Model	QZWP45N	QZWP30N	QZWP15N
LH Lamp	HE791201	HE790901	-
Centre Lamp	HE790901	-	HE790901
RH Lamp	HE791201	HE790901	-

Consort Equipment Products Limited

Thornton Industrial Estate, Milford Haven, Pembrokeshire, SA73 2RT

Tel: 01646 692172 Fax: 01646 695195

Email: technical@consortepl.com Web: www.consortepl.com

Operation hours: Mon to Thu 8.30am to 4.30pm | Fri 8.30am to 3.30pm

BS EN ISO 9001 Registered Company No FM12671