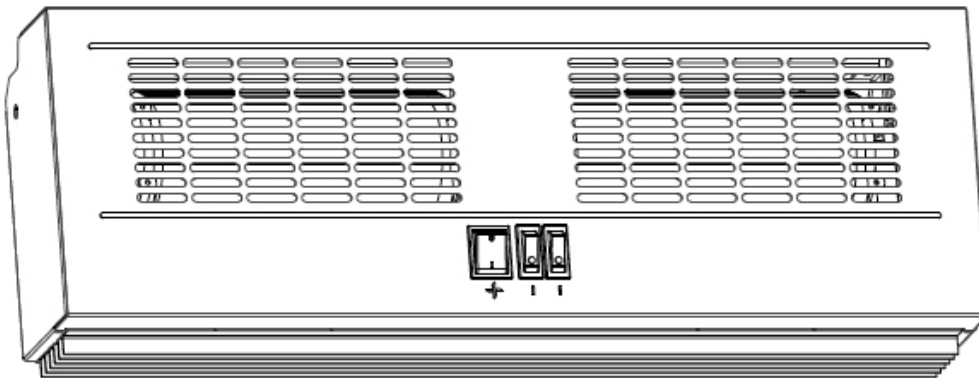




CSS3 & CSS45 Air Curtain

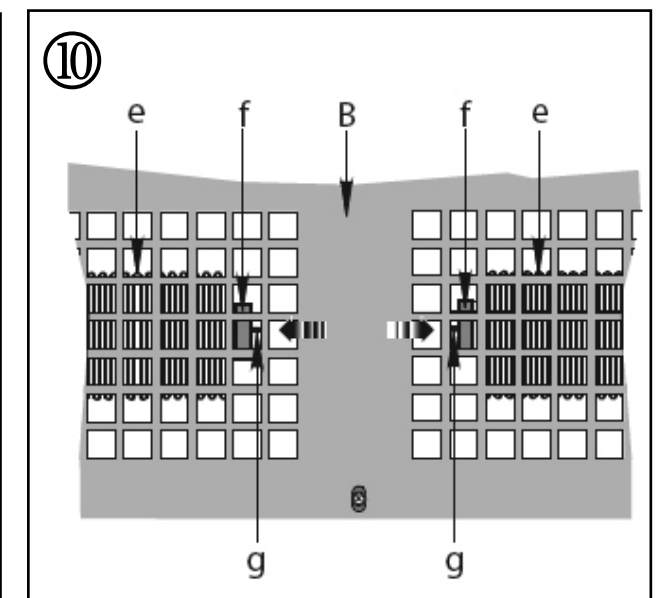
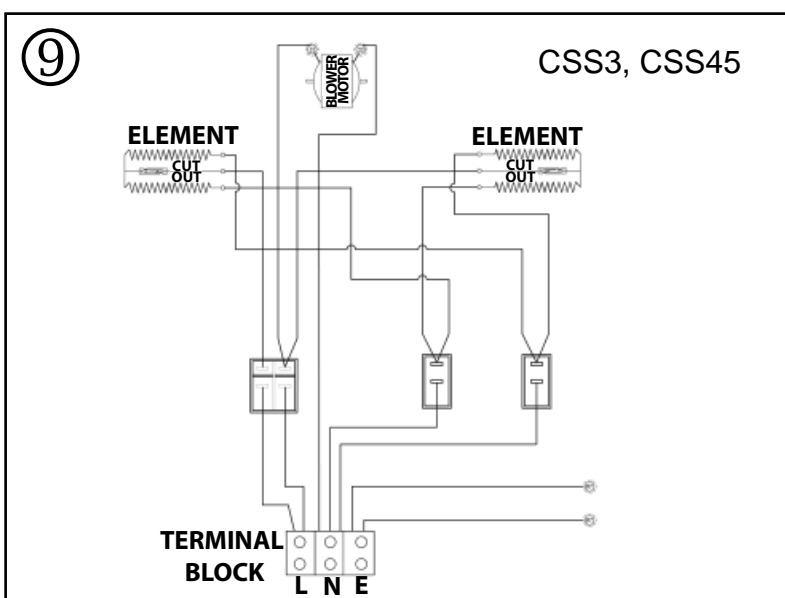
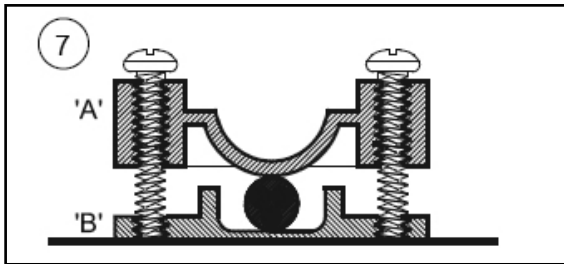
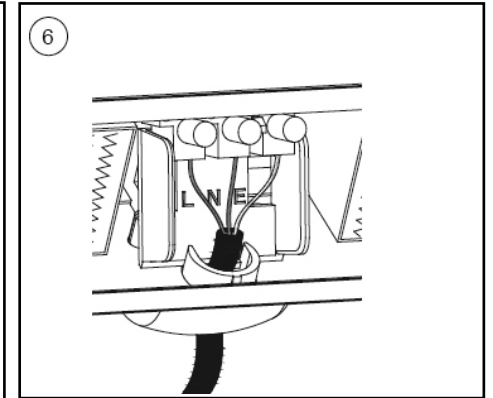
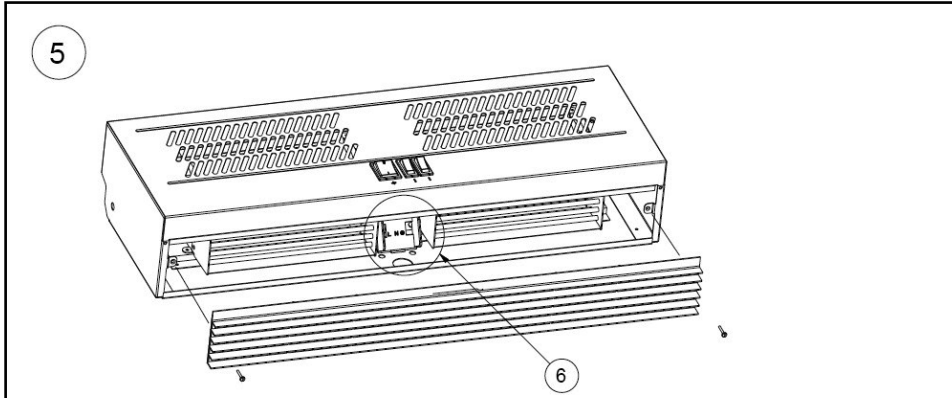
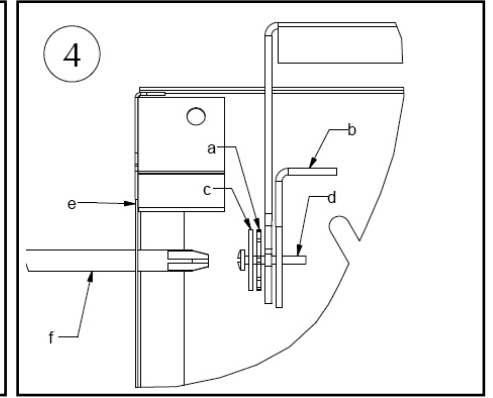
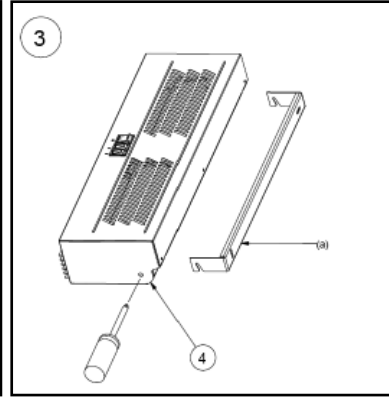
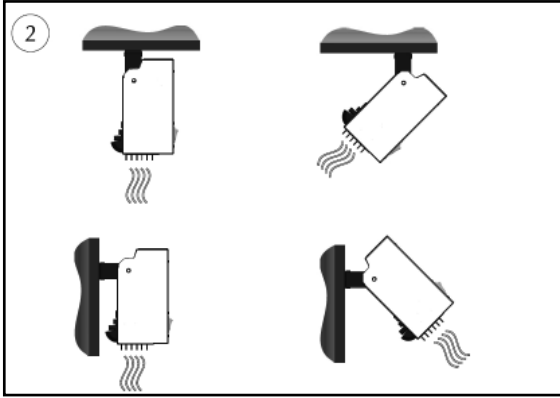
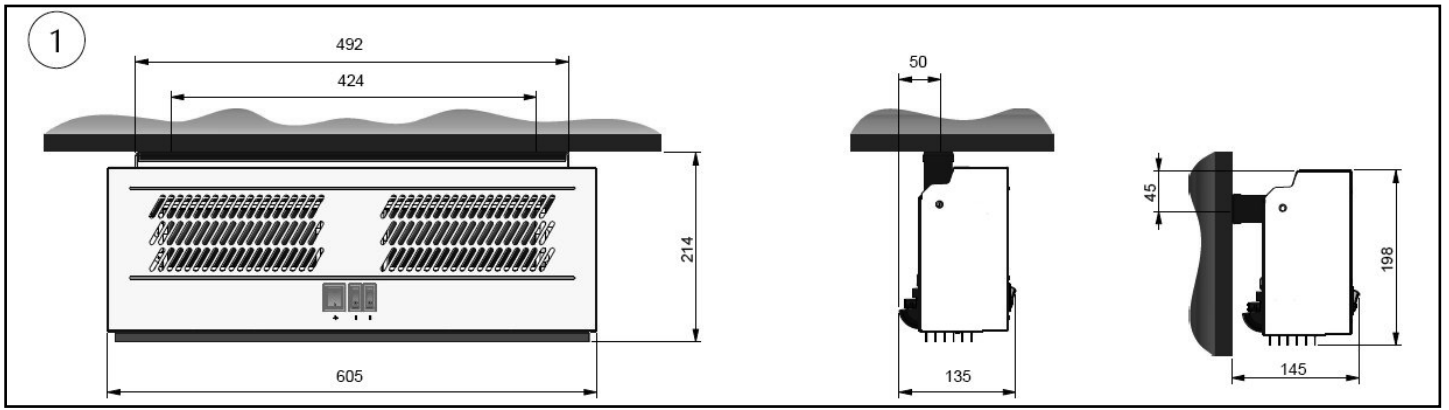


CSS3 & CSS45

08/51102/0 Issue 3



The product complies with the European Safety Standards EN60335-2-30 and the European Standard Electromagnetic Compatibility (EMC) EN55014, EN6055-2 and EN6055-3. These cover the essential requirements of EEC Directives 2006/95/EC and 2004/108/EC



Solscreen Air Curtain

IMPORTANT: THESE INSTRUCTIONS SHOULD BE READ CAREFULLY AND RETAINED FOR FUTURE REFERENCE

IMPORTANT SAFETY ADVICE

- **DO NOT COVER OR OBSTRUCT** the air inlet or outlet grille.
- **ENSURE THE APPLIANCE IS EARTHED.**
- Do not use this heater in areas where excessive dust exists.
- This heater must not be located immediately above or below a fixed socket outlet or connection box.
- Always disconnect supply before working on the product.
- This product should be mounted safely to solid wall or ceiling surfaces only.
- Ensure the supply cables are of adequate current carrying capacity and are protected by a suitable fuse.
- If the appliance is mounted in a toilet or washroom, the appliance should be mounted such that no part of it can be touched by a person using a fixed bath or shower.
- If the appliance is mounted in a toilet or washroom an isolating switch must be provided outside the washroom adjacent to the entrance door.
- This appliance can be used by children aged from 8 years and above and persons with reduced physical, sensory or mental capabilities or lack of experience and knowledge if they have been given supervision or instruction concerning use of the appliance in a safe way and understand the hazards involved. Children shall not play with the appliance. Cleaning and user maintenance shall not be made by children without supervision.
- Children of less than 3 years should be kept away unless continuously supervised. Children aged from 3 years and less than 8 years shall only switch on/off the appliance provided that it has been placed or installed in its intended normal operating position and they have been given supervision or instruction concerning use of the appliance in a safe way and understand the hazards involved. Children aged from 3 years and less than 8 years shall not plug in, regulate and clean the appliance or perform user maintenance.
- **CAUTION — Some parts of this product can become very hot and cause burns. Particular attention has to be given where children and vulnerable people are present.**
- This heater is not equipped with a device to control the room temperature. Do not use this heater in small rooms when they are occupied by persons not capable of leaving the room on their own, unless constant supervision is provided.
- **Warning : In order to avoid a hazard due to inadvertent resetting of the thermal cut-out, this appliance MUST NOT be supplied through an external switching device, such as a timer, or connected to a circuit that is regularly switched on and off by the utility.**



**ATTENTION: IN ORDER TO
AVOID OVERHEATING DO
NOT COVER.**

Solscreen Air Curtain

Electrical

The installation of this appliance should be carried out by a competent electrician and be in accordance with the current IEE wiring regulations.

Fixing Positions

This appliance may be either wall-mounted or fixed to a ceiling – see Fig. 2 for various fixing positions and 'Installation' see section below, for details on fixing. Heaters may be mounted end to end for wide doorways.

Installation

Using the wall mounting bracket as a guide (see 'a' in Fig. 3) mark off the hole positions on the wall or ceiling (see Dim 424 in Fig. 1). A minimum height of 1.8metres is required from floor to bracket. Fix the bracket in position by following steps as described under the heading 'Wall or Ceiling Mounting'.

Wall or Ceiling Mounting Solid brick or concrete block walls must be drilled and plugged (using a spirit level as a guide ensure bracket is level) Solid brick or concrete block walls must be drilled and plugged (using a spirit level as a guide ensure bracket is level), due to different types of wall constructions fixings are not included, ensure the correct fixings are used. The plug must be located in the solid part of the wall, not just in the plaster layer. The plug must be located in the solid part of the wall, not just in the plaster layer. For panelled internal walls or ceilings, it is best to locate the studding, position the heater fixing bracket accordingly and use screws supplied. If it is not possible to locate the studding, use type M5 Rawlplug inserts, making the 10mm holes with a drill rather than a bradawl or a screwdriver. Locate the heater on the mounting bracket ensuring that the pozi-head screws are fully engaged in the slots of the bracket. It is important that the serrated metal washer (a) is located between the heater holding bracket (b) and the wall mounting bracket (c). Adjust heater to the required angle then firmly tighten the fixing screw (d) inside the endcap (e) using a cross-head screwdriver (f) as shown in Fig. 4.

Electrical connection

Release the screws at either end of the air-outlet grille (see Fig. 5) to gain access to the terminals for connection of the supply cable - see Fig. 6. Insert the mains cable down the outside of the back panel (not on inside) and through the rear entry cable clamp and make connection as shown in Fig. 6 (see also Fig. 7 for detailed views of cable clamp). Connection to fixed wiring should be made through an adjacent minimum 20 amp double-pole switch. Re-secure the outlet grille. Ensure that the air-curtain is securely fastened and that the supply cable is firmly clamped before operating the appliance.

Operation

Switch on electricity supply to the heater.

Switching the switch marked 'I' energises the blower.

Select 'I' and the smaller switches marked as required (see Fig. 8)

Settings

I : Fan 'On'
I + ● : Half heat
I + ●+ ● : Full heat

Thermal Safety Cut-outs

The power supply to the heating elements will be interrupted if one or a combination of the following abnormal events occurs.

1. Air inlet or outlet grilles are obstructed.
2. Internal ventilation is impaired due to build up of dust and fluff.
3. Blower unit stalls.

Note : If the cut-out operates, the fan may continue to run impairing the performance of the heater. If this occurs, turn off unit immediately and follow the reset procedure below.

Procedure for resetting cut-out(s)

Establish cause and eliminate.

Follow the steps below to reset cut-out(s)

1. Disconnect power supply.
2. Pass small flat head screwdriver through Air Inlet/Outlet panel 'B' to button side of cut-out (see 'g' in Fig. 10) avoiding contact with element (see 'e' in Fig. 10).
3. Press reset button in direction shown in Fig. 10 to reset cut-out. (Cut-out clicks when reset)
4. Remove screwdriver carefully.
5. Turn on supply.

If the cut-out continues to operate intermittently, the heater should be switched off and a service agent contacted.

Maintenance

WARNING : Disconnect the heater from the mains supply before carrying out maintenance. This product is designed to require no maintenance. If operated in an extremely dusty environment it may however be necessary to carefully brush clean the air-inlet grille from time to time.

Recycling

For electrical products sold within the European Community

At the end of the electrical products useful life it should not be disposed of with household waste. Please recycle where facilities exist. Check with your Local Authority or retailer for recycling advice in your country.

Cleaning

WARNING: ALWAYS DISCONNECT POWER SUPPLY before cleaning the heater. Do not use detergents, abrasive cleaning powders or polish of any kind on the heater. External appearance can be maintained by wiping occasionally with a damp cloth; for stain removal, a weak soap solution can be applied with a cloth and the surface wiped dry. Care must be taken to avoid any moisture ingress into the product. Ensure that dust or fluff does not accumulate inside the heater as this could lead to overheating of the element. Use a vacuum cleaner to remove any fluff which does accumulate.

After Sales Service

Your product is guaranteed for one year from the date of purchase. Within this period, we undertake to repair or exchange this product free of charge (subject to availability) provided it has been installed and operated in accordance with these instructions. Your rights under this guarantee are additional to your statutory rights, which in turn are not affected by this guarantee. Should you require after sales service you should contact our customer services help desk on 0844 879 3588. It would assist us if you can quote the model number, series, date of purchase, and nature of the fault at the time of your call. The customer services help desk will also be able to advise you should you need to purchase any spares. Please do not return a faulty product to us in the first instance as this may result in loss or damage and delay in providing you with a satisfactory service. Please retain your receipt as proof of purchase.