



Control several indoor units with one outdoor unit.
Build the optimum system you desire.

If you want to keep a large floor as well as many rooms comfortable,
we recommend you use Multi Split to build a simple system using one outdoor unit.
Choose from a large lineup of indoor units that best matches your rooms.
You can mix and match them at will.
Build the system that is just right for you.

MULTI SPLIT

Multi Split provides comfort in a variety of situations
from home to office and store.

- 066** Multi type Line-up
- 068** 2 & 3-4 Rooms Multi
- 070** 8 Rooms Multi
- 074** Specifications of All Indoor Units
- 076** Multi Combination Table
- 086** Simultaneous Multi
- 088** Optional Parts for Split & Multi Split



Multi type Line-up

Multi Split Line-up

Model code	Capacity range					
	14	18		24	30	45
Cooling rated capacity(kW)	4	5	5.4	6.8	8	14
2 Rooms Multi Up to 2 units						
	●	●				
	AOYG14LAC2	AOYG18LAC2				
3 Rooms Multi Up to 3 units						
			●	●		
			AOYG18LAT3	AOYG24LAT3		
4 Rooms Multi Up to 4 units						
					●	
					AOYG30LAT4	
8 Rooms Multi Up to 8 units						
						●
						AOYG45LBT8 NEW

- Note : 1. 2 Rooms Multi : Connectable indoor units are 2 units.
 AOYG14LAC2 : Total capacity of indoor units connected must be between 4.0kW and 6.2kW.
 AOYG18LAC2 : Total capacity of indoor units connected must be between 4.0kW and 7.0kW.
2. 3 Rooms Multi : Connectable indoor units are 2 to 3 units.
 AOYG18LAT3 : Total capacity of indoor units connected must be between 4.0kW and 8.5kW.
 AOYG24LAT3 : Total capacity of indoor units connected must be between 4.0kW and 10.5kW.
3. 4 Rooms Multi : Connectable indoor units are 3 to 4 units.
 AOYG30LAT4 : Total capacity of indoor units connected must be between 7.9kW and 14.4kW.
4. 8 Rooms Multi : Connectable indoor units are 2 to 8 units.
 AOYG45LBT8 : Total capacity of indoor units connected must be between 11.2kW and 18.2kW.

Connectable Indoor unit line-up

Outdoor Unit	Type	2 Rooms		3 Rooms		4 Rooms	8 Rooms
	Model name	AOYG14LAC2	AOYG18LAC2	AOYG18LAT3	AOYG24LAT3	AOYG30LAT4	AOYG45LBT8 (Branch Box)
	Capacity (kW)						
	Cooling	4.0	5.0	5.4	6.8	8.0	14.0
	Heating	4.4	5.6	6.8	8.0	9.6	16.0
Indoor Unit	BTU	kW Class					
	7000	2.0	●	●	●	●	●
	9000	2.5	●	●	●	●	●
	12000	3.5	●	●	●	●	●
	7000	2.0	●	●	●	●	●
	9000	2.5	●	●	●	●	●
	12000	3.5	●	●	●	●	●
	14000	4.0	—	●	●	●	●
	18000	5.0	—	—	—	●	●
	24000	7.0	—	—	—	●	●
	9000	2.5	—	●	●	●	●
	12000	3.5	—	●	●	●	●
	14000	4.0	—	—	●	●	●
	7000	2.0	—	●	●	●	●
	9000	2.5	—	●	●	●	●
	12000	3.5	—	●	●	●	●
	14000	4.0	—	—	●	●	●
	18000	5.0	—	—	—	●	●
	7000	2.0	—	●	●	●	●
	9000	2.5	—	●	●	●	●
	12000	3.5	—	●	●	●	●
	14000	4.0	—	—	●	●	●
	18000	5.0	—	—	—	●	●

Indoor unit features

	Up/Down	Double	Adjust	Restart	Auto Changeover	10°C HEAT	Fresh	Fresh	Economy	POWERFUL	Sleep	Program	Weekly	W.S	Filter	Ion	AF	Wash
ASYG07/09/12LJ	●	●	●	●	●	●	●	●	●	●	●	●	●	○	●	●	●	●
ASYG07/09/12/14LM	●	●	●	●	●	●	●	●	●	●	●	●	●	○	●	●	●	●
ASYG07/09/12/14LU	●	●	●	●	●	●	●	●	●	●	●	●	●	○	●	●	●	●
ASYG18/24LF	●	●	●	●	●	●	●	●	●	●	●	●	●	○	●	●	●	●
AGYG09/12/14LV	●	●	●	●	●	●	●	●	●	●	●	●	●	○	●	●	●	●
AUYG07/09/12/14/18LV	●	●	●	●	●	●	○	●	●	●	●	●	●	○	●	●	●	●
ABYG14/18LV	●	●	●	●	●	●	○	●	●	●	●	●	●	○	●	●	●	●
ARYG07/09/12/14/18LL	○	●	●	●	●	○	○	○	●	●	○	○	○	●	●	●	●	●

○ : Optional function

2 & 3-4 Rooms Multi

2 Rooms : AOYG14LAC2 / AOYG18LAC2

3 Rooms : AOYG18LAT3 / AOYG24LAT3

4 Rooms : AOYG30LAT4



Features

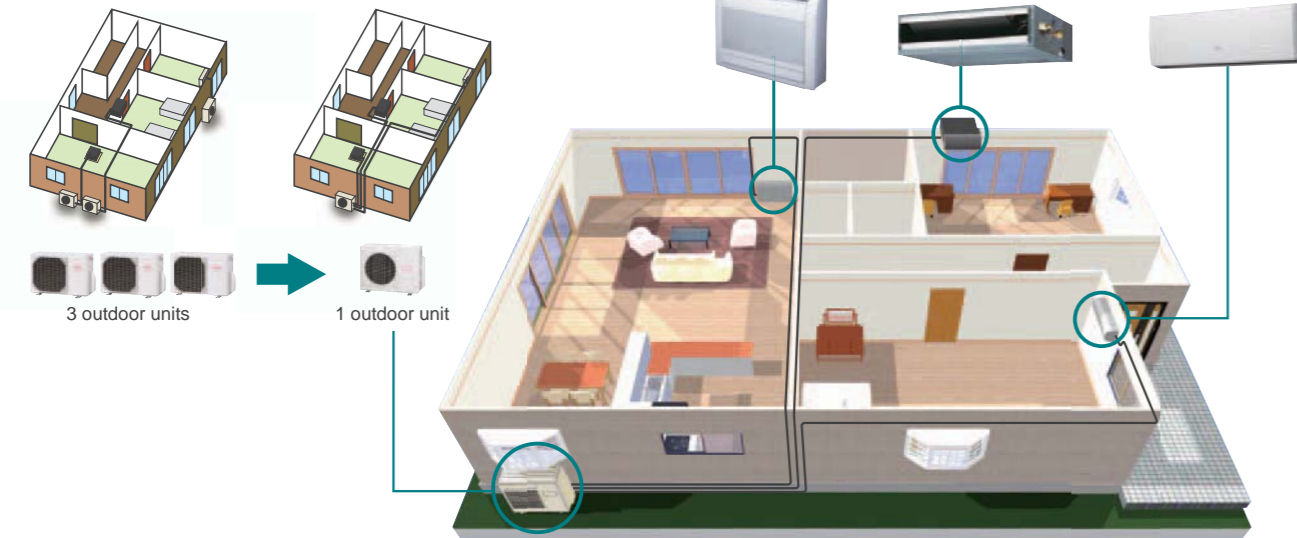
Space-saving installation

Multiple indoor units can be connected to 1 outdoor unit, and long piping connection is also possible. Compared with single type, the outdoor unit can be installed in various places to realize the space-saving installation.

Wide range of indoor units with various models

8 types 28 models are lined up in the capacity range from 2kW to 7kW class. Wide range of needs can be met from rooms of private homes to large shops and hotels.

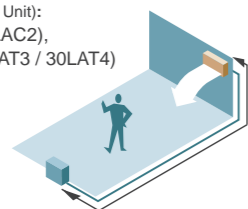
Ex.) Single type installation Multi type installation



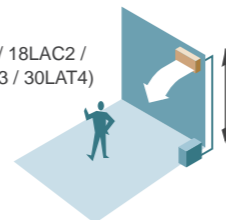
Flexible installation

Up to max. piping length of 70m (AOYG30LAT4), max. height difference of 15m can be supported. Multi type can be installed at large-size residence or buildings with multiple floors.

Max. Piping Length (Each Unit):
20m (AOYG14LAC2 / 18LAC2),
25m (AOYG18LAT3 / 24LAT3 / 30LAT4)



Max. Height:
15m (AOYG14LAC2 / 18LAC2 /
 18LAT3 / 24LAT3 / 30LAT4)



Total Piping Length:
30m (AOYG14LAC2 / 18LAC2),
50m (AOYG18LAT3 / 24LAT3),
70m (AOYG30LAT4)

Specifications (2 ROOMS, 3 ROOMS, 4 ROOMS)

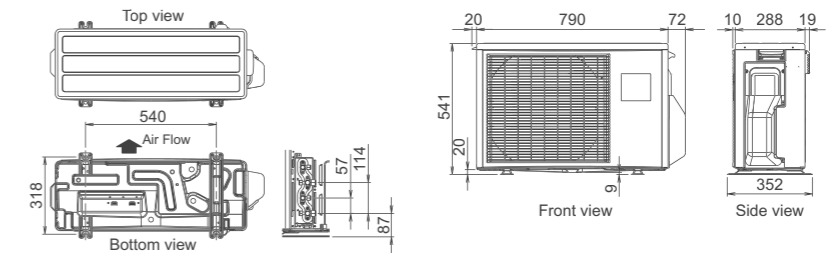
Model No.	Outdoor unit	AOYG14LAC2	AOYG18LAC2	AOYG18LAT3	AOYG24LAT3	AOYG30LAT4
Power Source	V/∅/Hz	230/1/50	230/1/50	230/1/50	230/1/50	230/1/50
Rated Capacity (min-max)	Cooling	4.0(1.4-4.4)	5.0(1.7-5.6)	5.4(1.8-6.8)	6.8(1.8-8.5)	8.0(3.5-10.1)
	Heating	4.4(1.1-5.4)	5.6(1.8-6.1)	6.8(2.0-8.0)	8.0(2.0-8.8)	9.6(3.7-12.0)
EER	Cooling	3.67	3.21	4.00	3.51	3.60
COP	Heating	4.27	3.97	4.20	4.00	4.00
Sound Pressure (High)	Cooling	47	50	46	48	50
	Heating	49	51	47	49	51
Sound Power (High)	Cooling	61	63	65	68	68
	Heating	63	64	67	70	70
Net Dimension H x W x D	mm	540x790x290	540x790x290	700x900x330	700x900x330	830x900x330
Weight	kg(lbs)	37(82)	38(84)	55(121)	55(121)	68(150)
Piping Connections	Small (Liquid)	∅6.35x2	∅6.35x2	∅6.35x3	∅6.35x3	∅6.35x4 (*∅6.35x3, ∅9.52)
	Large (Gas)	∅9.52x2	∅9.52x2 *(∅9.52, ∅12.7)	∅9.52x2, ∅12.7 *(∅9.52x3)	∅9.52x2, ∅12.7 *(∅9.52x3)	∅9.52x2, ∅12.7x2 *(∅9.52x3, ∅12.7) *(∅9.52x2, ∅12.7, ∅15.88)
Max. Length	Total / Each	30 / 20	30 / 20	50 / 25	50 / 25	70 / 25
	Max. Height Difference	Between Outdoor Unit and Each Indoor Units. Between Indoor Units.	15 10	15 10	15 10	15 10
Operation Range	Cooling	10-46	10-46	-10-46	-10-46	0-46
	Heating	-15-24	-15-24	-15-24	-15-24	-10-24
Refrigerant		R410A	R410A	R410A	R410A	R410A

* Connect to connection valve by the adapter.

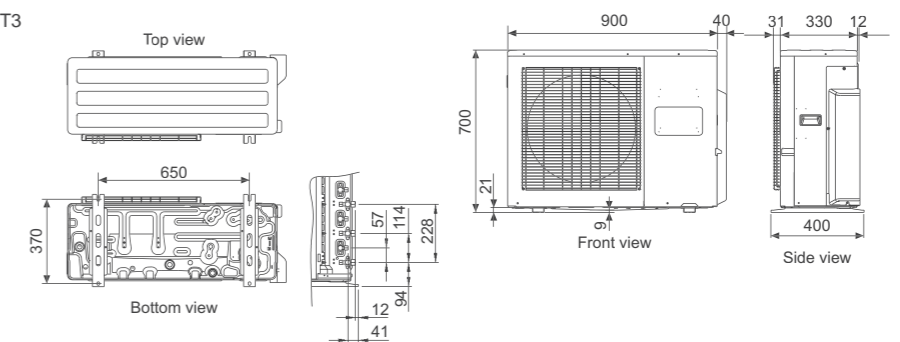
Dimensions

(Unit : mm)

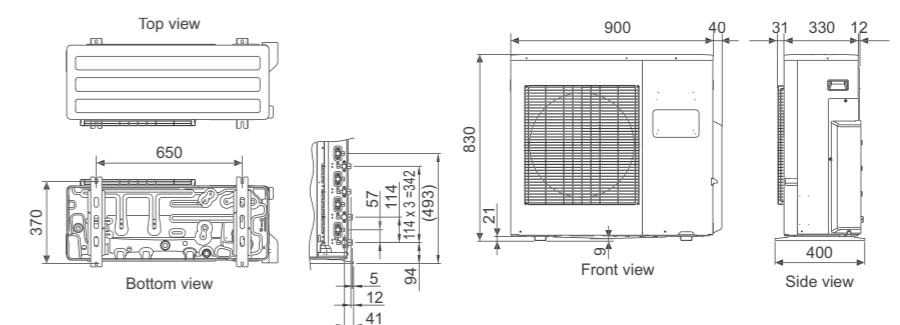
Models : AOYG14LAC2 / AOYG18LAC2



Models : AOYG18LAT3 / AOYG24LAT3



Models : AOYG30LAT4



8 Rooms Multi

NEW 8 Rooms : AOYG45LBT8

ALL DC



Features

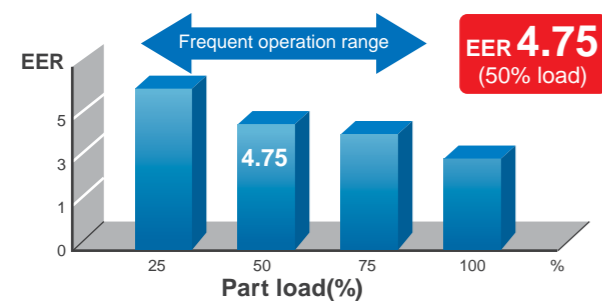
High Efficiency & Compact

Compact outdoor unit



High seasonal efficiency

The actual performance is conducted under various outside temperatures depending on weather and seasons, furthermore, especially for multi system, not all the rooms are operated all the time. So over 90% of actual operation time, air conditioners are operated at partial capacity instead of rated capacity. Considering these, we focused on energy-saving performance which is based on actual use. Efficiency of part load performance was drastically improved by developing ALL DC and our own inverter system.



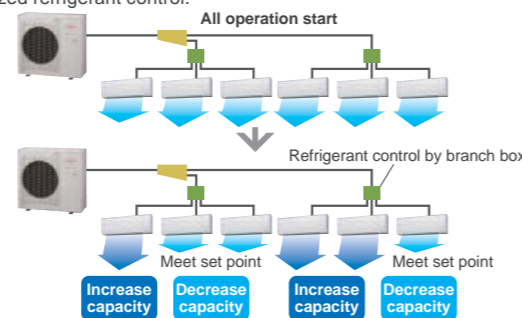
Innovated technology

- High efficiency large fan :** New high efficiency fan is mounted.
- DC fan motor :** High performance and high efficiency has been realized by using a small DC fan motor.
- Heat exchanger :** Reduced compact size and energy saving has been realized by utilizing high density piping design and 3-Row heat exchanger.
- High efficiency DC twin rotary compressor :** A high performance, low noise, large capacity DC twin rotary compressor is used.

More Comfort

Quick comfort by optimized refrigerant control

Every room meets the set point most quickly and comfortably by optimized refrigerant control.



Features

Central Remote Controller Option

Central remote controller developed for residential applications. All indoor units can be batched controlled using simple operations. Schedule management and other functions can be used to achieve even greater energy savings.

Central & Individual Control

Batched control of up to 8 indoor units. The temperature, airflow volume, and remote control prohibition settings of all indoor units can be batched.

User-friendly operation

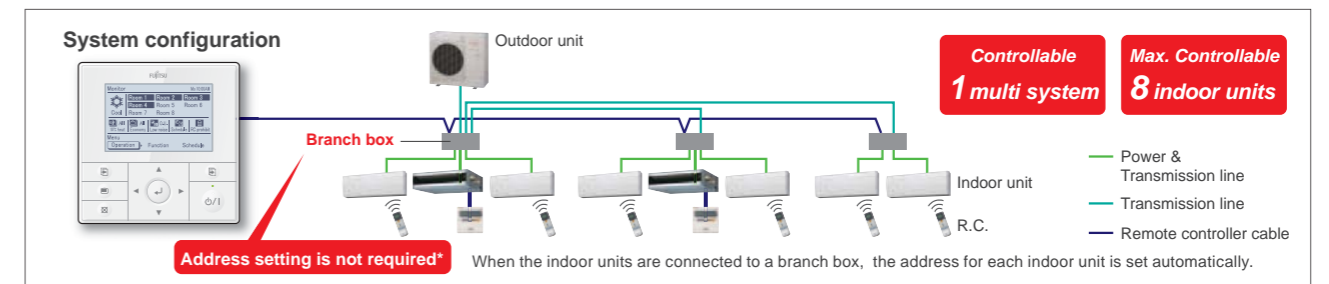
- Large backlight LED screen
- Large easy-to-see operation panel



UTY-DMMYM

Multiple language support

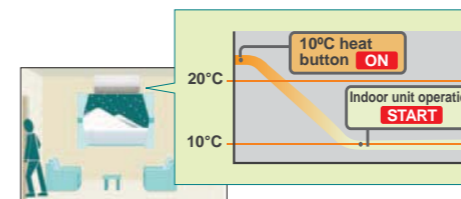
Corresponds to 9 different languages (English, German, French, Spanish, Russian, Portuguese, Italian, Greek, and Turkish)



*Note : Cross-over connections are not allowed in the refrigerant system. Group settings are not allowed.

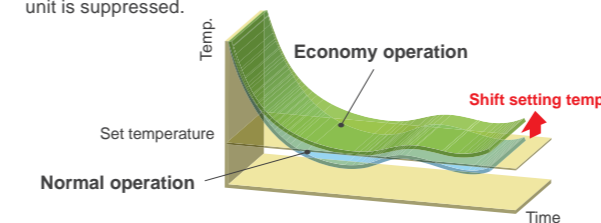
10°C heat operation

When you leave, minimum heating operation is performed to maintain the room temperature (maintain at 10°C).



Economy operation

Economy operation is energy saving, as the set temperature of indoor unit is shifted by 1°C and the maximum electric value of the outdoor unit is suppressed.

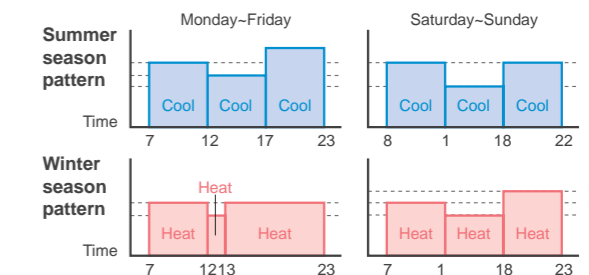


Prohibited Settings

The remote controller operation of all indoor units comes with a lock function to prevent unapproved operations in the various rooms. The central remote controller also has a key lock function to prevent children from playing with it, etc

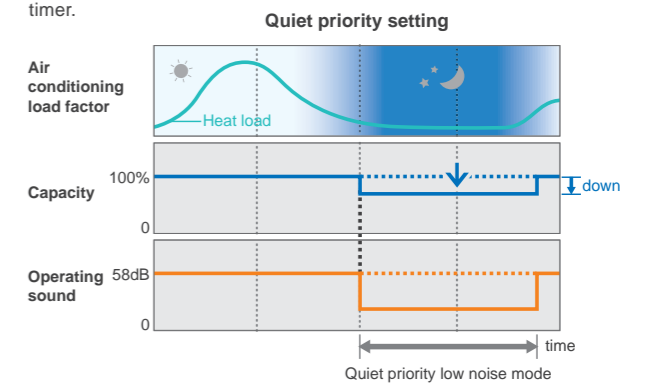
Weekly schedule timer

The ON/OFF setting can be set for 4 times a day. Two weekly patterns can be set to match the cooling and heating seasons.



Low noise operation

Users can choose from 4 low noise levels, depending on the installation environment. The operation time can be set using the timer.

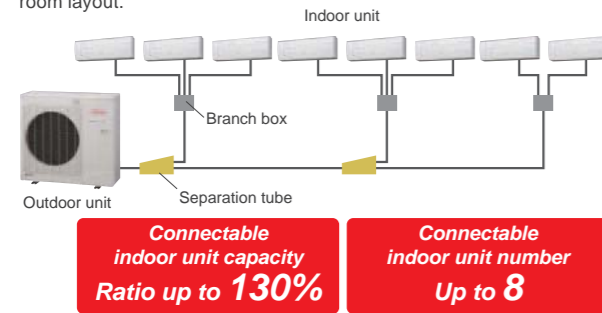


Features

Flexible Design & Easy Installation

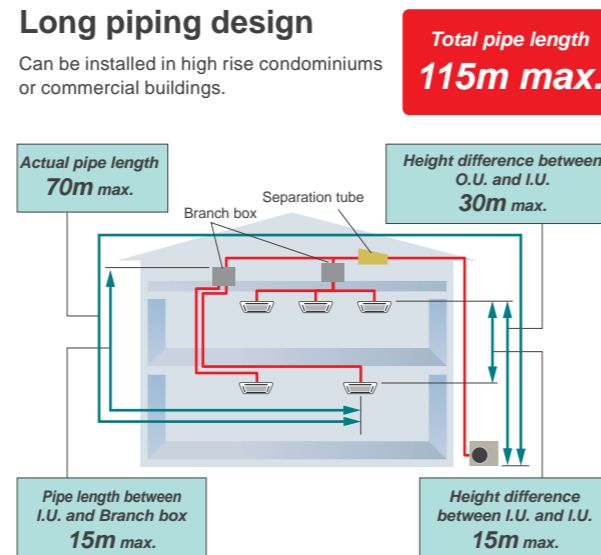
Large capacity connection

Up to 8 indoor units can be connected to one outdoor unit.
A maximum of 130% indoor unit connectable capacity. Match any room layout.

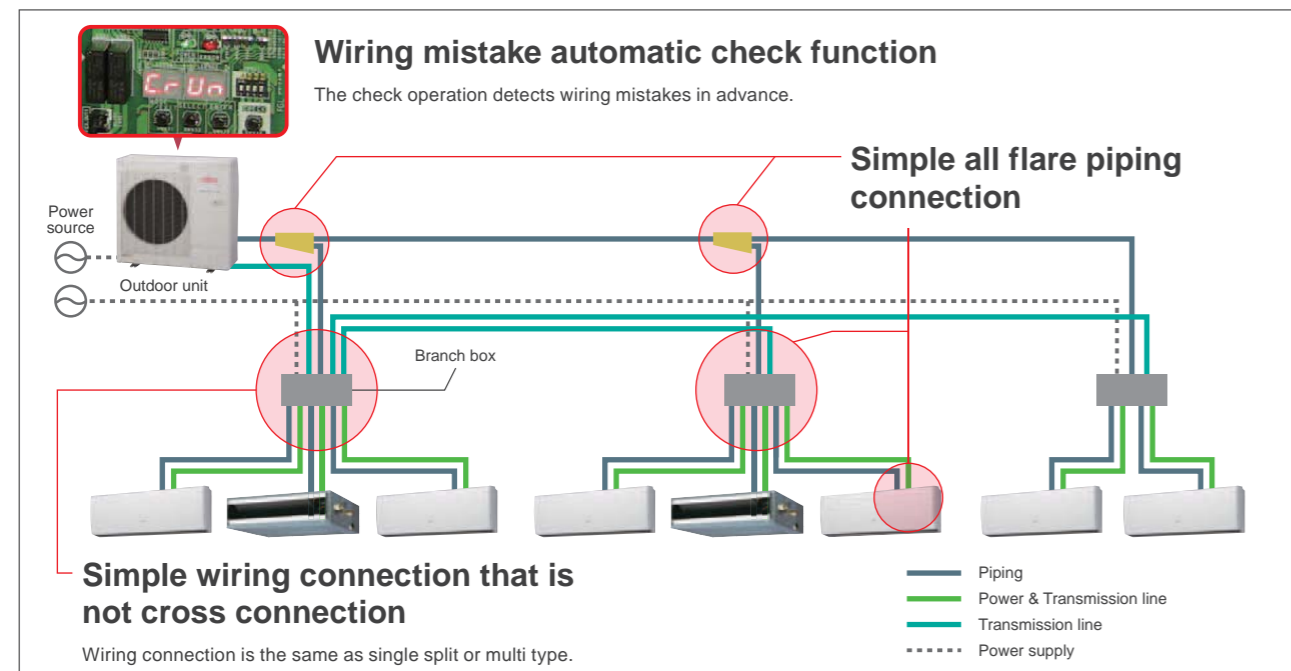


Long piping design

Can be installed in high rise condominiums or commercial buildings.

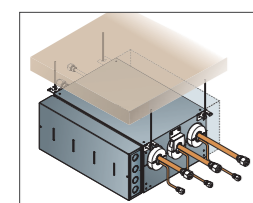


All flare piping connection and simple installation that minimizes wiring mistakes.

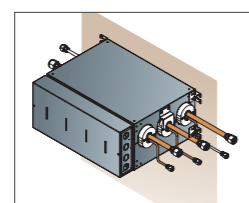


Branch Box can be mounted flexibly.

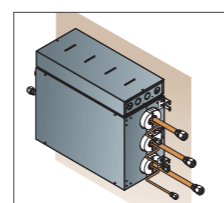
Allowed Branch Box Mounting Direction



Hanging from the ceiling
Do not hang from the ceiling when performing a vertical installation.



Horizontal Wall Mounting
Install the unit with its top side facing upwards.



Vertical Wall Mounting
Install the unit with the control box facing upwards.

Specifications

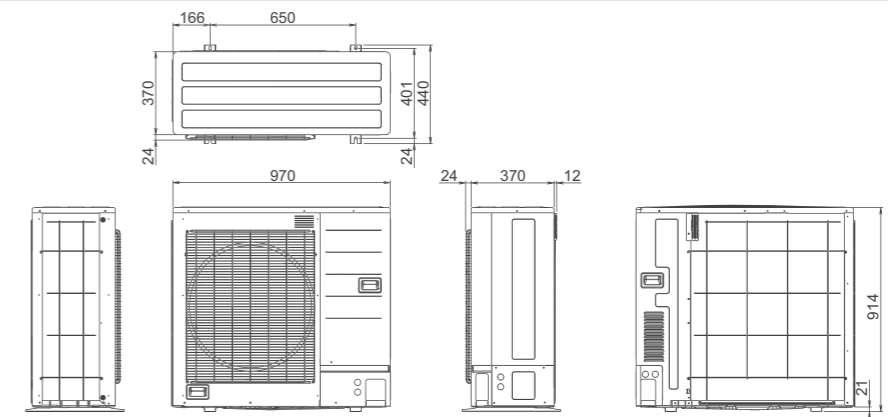
Model name		AOYG45LBT8	
Maximum Connectable Indoor Unit		8	
Indoor unit connectable capacity	Cooling	kW	11.2 - 18.2
Power source	V/Ø/Hz		230/1/50
Rated Capacity	Cooling	kW	14.0
	Heating	kW	16.0
Input Power	Cooling	kW	5.20
	Heating	kW	5.07
Air flow rate	Cooling	m ³ /h	4,650
	Heating	m ³ /h	4,800
Sound pressure level	Cooling	dB(A)	56
	Heating	dB(A)	58
Heat exchanger fin		Plate fin coil	
Net Dimensions H x W x D		914 x 970 x 370	
Weight		kg(lbs)	
		98 (217)	
Piping Connections (Small / Large)		mm	
		9.52/15.88	
Max Pipe Length		m	
		115 (Total)	
Max Height Difference (O.U. ~ I.U.)		m	
		30	
Operating range	Cooling	°CDB	-5 to 46
	Heating	°CDB	-15 to 24
Refrigerant		R410A	

Model name		UTP-PY03A		UTP-PY02A		
Connectable indoor unit		1 to 3 Units		1 to 2 Units		
Power source		1Ø 230V -50Hz		1Ø 230V -50Hz		
Available voltage range		198-264V		198-264V		
Power consumption	W	10		10		
Running current	A	0.05		0.05		
Dimensions (HxWxD)		mm		mm		
		195x433x370		195x433x370		
Weight		kg		kg		
		9		9		
Connection pipe	Size	Liquid	mm		mm	
	Gas	Main: 9.52x1, Branch:6.35x3		Main: 9.52x1, Branch:6.35x2		
Method		Flare		Flare		

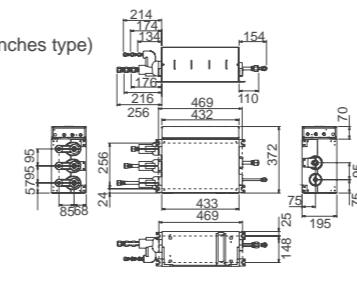
Note: Specifications are based on the following conditions.
Power source of specifications: 230V.

Dimensions

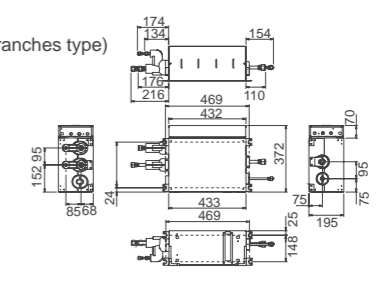
Outdoor Unit : AOYG45LBT8



Branch Box : UTP-PY03A (3 branches type)



Branch Box : UTP-PY02A (2 branches type)



Specifications of All Indoor Units

Specifications

Compact wall mounted



Model No.	Indoor unit		ASYG07LUCA	ASYG09LUCA	ASYG12LUCA	ASYG14LUCA
kW Class	kW		2.0	2.5	3.5	4.0
Power Source	V/Ø/Hz		230/1/50	230/1/50	230/1/50	230/1/50
Sound Pressure Level	Cooling	H/M/L/Q	35/30/28/21	36/32/28/21	37/34/31/21	41/36/33/25
	Heating		35/30/28/21	36/32/28/21	37/34/31/21	41/36/34/27
Sound Power Level	Cooling	H	53	54	55	59
	Heating		53	54	55	59
Air Flow	Cooling	H/M/L/Q	570/520/470/330	600/550/470/330	660/600/530/330	710/640/570/390
	Heating		570/520/470/330	600/550/470/330	660/600/530/330	710/640/590/430
Net Dimension	mm		282x870x185	282x870x185	282x870x185	282x870x185
Weight	kg(lbs)		9.5(21)	9.5(21)	9.5(21)	9.5(21)
Pipe Size	Liquid/Gas	mm	Ø6.35/Ø9.52	Ø6.35/Ø9.52	Ø6.35/Ø9.52	Ø6.35/Ø12.7

Wall mounted



Model No.	Indoor unit		ASYG07LMCA	ASYG09LMCA	ASYG12LMCA	ASYG14LMCA	ASYG18LFCA	ASYG24LFCC
kW Class	kW		2.0	2.5	3.5	4.0	5.0	7.0
Power Source	V/Ø/Hz		230/1/50	230/1/50	230/1/50	230/1/50	230/1/50	230/1/50
Sound Pressure Level	Cooling	H/M/L/Q	36/32/29/21	37/33/29/21	40/36/30/21	42/38/33/25	43/37/33/26	49/42/37/33
	Heating		36/32/29/22	37/33/29/22	40/36/31/22	42/38/35/27	42/37/33/25	48/42/37/33
Sound Power Level	Cooling	H	51	52	54	56	58	64
	Heating		51	52	55	57	58	64
Air Flow	Cooling	H/M/L/Q	560/500/430/310	600/520/430/310	660/560/450/310	730/600/530/360	900/740/620/550	1120/900/740/620
	Heating		560/500/430/330	600/520/430/330	660/560/470/330	730/615/560/375	900/740/620/550	1100/900/740/620
Net Dimension	mm		268x840x203	268x840x203	268x840x203	268x840x203	320x998x238	320x998x238
Weight	kg(lbs)		8.5(19)	8.5(19)	8.5(19)	8.5(19)	14(30.8)	14(30.8)
Pipe Size	Liquid/Gas	mm	Ø6.35/Ø9.52	Ø6.35/Ø9.52	Ø6.35/Ø9.52	Ø6.35/Ø12.7	Ø6.35/Ø12.7	Ø6.35/Ø15.88

Wall mounted & Floor



Model No.	Indoor unit		ASYG07LJCA	ASYG09LJCA	ASYG12LJCA	AGYG09LVCA	AGYG12LVCA	AGYG14LVCA
kW Class	kW		2.0	2.5	3.5	2.5	3.5	4.0
Power Source	V/Ø/Hz		230/1/50	230/1/50	230/1/50	230/1/50	230/1/50	230/1/50
Sound Pressure Level	Cooling	H/M/L/Q	36/32/29/21	37/33/29/21	40/36/30/21	39/34/28/22	42/36/30/22	44/38/31/22
	Heating		36/32/29/22	37/33/29/22	40/36/31/22	39/35/30/22	42/38/32/22	44/39/33/22
Sound Power Level	Cooling	H	51	52	54	52	55	56
	Heating		51	52	54	52	55	56
Air Flow	Cooling	H/M/L/Q	560/500/430/310	600/520/430/310	660/560/450/310	530/440/360/270	600/490/380/270	650/520/400/270
	Heating		560/500/430/330	600/520/430/330	660/560/470/330	530/460/380/270	600/510/410/270	650/540/430/270
Net Dimension	mm		280x790x203	280x790x203	280x790x203	600x740x200	600x740x200	600x740x200
Weight	kg(lbs)		8(17.6)	8(17.6)	8(17.6)	14(30.7)	14(30.7)	14(30.7)
Pipe Size	Liquid/Gas	mm	Ø6.35/Ø9.52	Ø6.35/Ø9.52	Ø6.35/Ø9.52	Ø6.35/Ø9.52	Ø6.35/Ø9.52	Ø6.35/Ø12.7

Floor ceiling



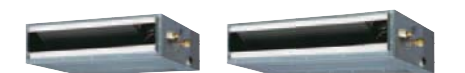
Model No.	Indoor unit		ABYG14LVTA	ABYG18LVTB
kW Class	kW		4.0	5.0
Power Source	V/Ø/Hz		230/1/50	230/1/50
Sound Pressure Level	Cooling	H/M/L/Q	36/34/33/29(Under ceiling)	41/38/34/32(Under ceiling)
	Heating		39/37/36/32(Floor console)	44/41/37/35(Floor console)
Sound Power Level	Cooling	H	36/34/33/29(Under ceiling)	41/38/34/32(Under ceiling)
	Heating		39/37/36/32(Floor console)	44/41/37/35(Floor console)
Sound Power Level	Cooling	H	51	55
	Heating		51	55
Air Flow	Cooling	H/M/L/Q	640/590/540/480	780/700/560/500
	Heating		640/590/540/480	780/700/560/500
Net Dimension	mm		199x990x655	199x990x655
Weight	kg(lbs)		27(60)	27(60)
Pipe Size	Liquid/Gas	mm	Ø6.35/Ø12.7	Ø6.35/Ø12.7

Compact cassette



Model No.	Indoor unit		AUYG07LVLA	AUYG09LVLA	AUYG12LVLB	AUYG14LVLB	AUYG18LVLB
kW Class	kW		2.0	2.5	3.5	4.0	5.0
Power Source	V/Ø/Hz		230/1/50	230/1/50	230/1/50	230/1/50	230/1/50
Sound Pressure Level	Cooling	H/M/L/Q	33/31/29/27	33/31/29/27	37/33/31/28	40/35/32/29	42/37/33/29
	Heating		34/32/29/27	34/32/29/27	37/33/31/28	40/37/34/29	44/40/37/30
Sound Power Level	Cooling	H	46	46	49	52	54
	Heating		47	47	49	52	56
Air Flow	Cooling	H/M/L/Q	540/490/440/390	540/490/440/390	610/530/470/410	680/580/490/410	750/610/520/410
	Heating		540/490/440/390	540/490/440/390	610/530/470/410	700/620/550/430	800/710/600/450
Net Dimension	mm		245x570x570	245x570x570	245x570x570	245x570x570	245x570x570
Weight	kg(lbs)		15(33.1)	15(33.1)	15(33.1)	15(33.1)	15(33.1)
Cassette Grille			UTG-UFYD-W				
Pipe Size	Liquid/Gas	mm	Ø6.35/Ø9.52	Ø6.35/Ø9.52	Ø6.35/Ø9.52	Ø6.35/Ø12.7	Ø6.35/Ø12.7

Slim duct



Model No.	Indoor unit		ARYG07LLTA	ARYG09LLTA	ARYG12LLTB	ARYG14LLTB	ARYG18LLTB
kW Class	kW		2.0	2.5	3.5	4.0	5.0
Power Source	V/Ø/Hz		230/1/50	230/1/50	230/1/50	230/1/50	230/1/50
Sound Pressure Level	Cooling	H/M/L/Q	28/26/25/24	28/27/26/25	29/28/27/26	32/30/28/26	32/31/30/29
	Heating		28/26/25/24	28/26/25/24	29/28/27/24	33/30/28/25	33/32/31/29
Sound Power Level	Cooling	H	57	57	58	60	58
	Heating		57	57	58	61	59
Air Flow	Cooling	H/M/L/Q	550/490/470/440	600/550/500/450	650/600/550/480	800/700/600/480	940/880/820/750
	Heating		550/490/470/440	600/550/500/450	650/600/550/480	800/700/600/480	940/880/820/750
Net Dimension	mm		198x700x620	198x700x620	198x700x620	198x700x620	198x900x620
Weight	kg(lbs)		17(37.5)	19(41.8)	19(41.8)	19(41.8)	23(50.6)
Pipe Size	Liquid/Gas	mm	Ø6.35/Ø9.52	Ø6.35/Ø9.52	Ø6.35/Ø9.52	Ø6.35/Ø12.7	Ø6.35/Ø12.7
External static pressure			0 to 90				
Drain pump			Standard				

Multi Combination Table

2 Rooms Multi cooling

AOYG14LAC2	Combination of Indoor Unit		COOLING OPERATION									
			Cooling Capacity				Input Power (min-max)	EER	Seasonal Data			
			Room 1	Room 2	Total Capacity (min-max)				Pdesign	SEER	Energy efficiency class	
		kW	kW	kW		kW		kW				
2 Room	7	7	2.00	2.00	4.00 (1.4 - 4.4)		1.09 (0.35 - 1.40)		3.67	4.0	6.7	A++
	7	9	1.95	2.05	4.00 (1.4 - 4.4)		1.09 (0.35 - 1.40)		3.67	4.0	6.6	A++
	7	12	1.85	2.35	4.00 (1.4 - 4.6)		1.05 (0.35 - 1.47)		3.81	4.0	6.5	A++
	9	9	2.00	2.00	4.00 (1.4 - 4.5)		1.09 (0.35 - 1.43)		3.67	4.0	6.6	A++
	9	12	1.70	2.30	4.00 (1.4 - 4.7)		1.05 (0.35 - 1.47)		3.81	4.0	6.5	A++

Note: *7:7000Btu/h / 9:9000Btu/h / 12:12000Btu/h models

- The above is the value for connecting with Wall Mounted type.
- 2 or more indoor units should be connected.
- Cooling capacity is based on 27°CDB/19°CWB (indoor temperature), 35°CDB (outdoor temperature).
- Pipe Length: 5m, Height difference: 0m (Outdoor unit to Indoor unit)
- The Total ability of connected a indoor unit is up to 21000Btu from 14000Btu.

AOYG18LAC2	Combination of Indoor Unit		COOLING OPERATION									
			Cooling Capacity				Input Power (min-max)	EER	Seasonal Data			
			Room 1	Room 2	Total Capacity (min-max)				Pdesign	SEER	Energy efficiency class	
		kW	kW	kW		kW		kW				
2 Room	7	7	2.10	2.10	4.20 (1.7 - 5.2)		1.24 (0.35 - 1.68)		3.39	4.2	7.0	A++
	7	9	2.10	2.50	4.60 (1.7 - 5.3)		1.26 (0.35 - 1.79)		3.65	4.6	6.8	A++
	7	12	1.90	3.10	5.00 (1.7 - 5.6)		1.55 (0.35 - 1.95)		3.23	5.0	6.5	A++
	7	14	1.80	3.20	5.00 (1.8 - 5.7)		1.55 (0.40 - 1.99)		3.23	5.0	6.5	A++
	9	9	2.50	2.50	5.00 (1.7 - 5.6)		1.56 (0.35 - 1.95)		3.21	5.0	6.6	A++
	9	12	2.10	2.90	5.00 (1.7 - 5.7)		1.55 (0.35 - 1.95)		3.23	5.0	6.5	A++
	9	14	2.00	3.00	5.00 (1.8 - 5.8)		1.55 (0.40 - 1.99)		3.23	5.0	6.4	A++
	12	12	2.50	2.50	5.00 (1.7 - 5.8)		1.56 (0.35 - 1.99)		3.21	5.0	6.4	A++

Note: *7:7000Btu/h / 9:9000Btu/h / 12:12000Btu/h / 14:14000Btu/h models

- The above is the value for connecting with Wall Mounted type.
- 2 or more indoor units should be connected.
- Cooling capacity is based on 27°CDB/19°CWB (indoor temperature), 35°CDB (outdoor temperature).
- Pipe Length: 5m, Height difference: 0m (Outdoor unit to Indoor unit)
- The Total ability of connected a indoor unit is up to 24000Btu from 14000Btu.
- Where "14" means "wall mounted type" only models. Other types of indoor units can not be connected.

3 Rooms Multi cooling

AOYG18LAT3	Combination of Indoor Unit			COOLING OPERATION										
				Cooling Capacity				Input Power (min-max)	EER	Seasonal Data				
				Room 1	Room 2	Room 3	Total Capacity (min-max)			Pdesign	SEER	Energy efficiency class		
			kW	kW	kW	kW		kW						
2 Room	7	7	-	2.30	2.30	-	4.60 (1.8 - 5.0)		1.22 (0.50 - 1.43)		3.77	4.6	6.3	A++
	7	9	-	2.30	2.70	-	5.00 (1.8 - 5.7)		1.35 (0.50 - 1.81)		3.70	5.0	6.2	A++
	7	12	-	1.98	3.02	-	5.00 (1.8 - 6.1)		1.34 (0.50 - 2.06)		3.73	5.0	6.2	A++
	7	14	-	1.88	3.42	-	5.30 (1.8 - 6.6)		1.34 (0.50 - 2.06)		3.96	5.3	6.1	A++
	9	9	-	2.50	2.50	-	5.00 (1.8 - 6.2)		1.35 (0.50 - 2.06)		3.70	5.0	6.2	A++
	9	12	-	2.18	2.82	-	5.00 (1.8 - 6.3)		1.35 (0.50 - 2.06)		3.70	5.0	6.2	A++
	9	14	-	2.07	3.23	-	5.30 (1.8 - 6.7)		1.35 (0.50 - 2.06)		3.93	5.3	6.1	A++
	12	12	-	2.55	2.55	-	5.10 (1.8 - 6.3)		1.35 (0.50 - 2.06)		3.78	5.1	6.1	A++
	12	14	-	2.41	2.89	-	5.30 (1.8 - 6.7)		1.35 (0.50 - 2.06)		3.93	5.3	6.1	A++
	7	7	7	1.80	1.80	1.80	5.40 (1.8 - 6.8)		1.35 (0.50 - 2.06)		4.00	5.4	6.9	A++
3 Room	7	7	9	1.70	1.70	2.00	5.40 (1.8 - 6.8)		1.35 (0.50 - 2.06)		4.00	5.4	6.9	A++
	7	7	12	1.53	1.53	2.33	5.40 (1.8 - 6.8)		1.35 (0.50 - 2.06)		4.00	5.4	6.7	A++
	7	7	14	1.41	1.41	2.58	5.40 (1.8 - 6.8)		1.35 (0.50 - 2.06)		4.00	5.4	6.7	A++
	7	9	9	1.61	1.89	1.89	5.40 (1.8 - 6.8)		1.35 (0.50 - 2.06)		4.00	5.4	6.8	A++
	7	9	12	1.46	1.72	2.22	5.40 (1.8 - 6.8)		1.35 (0.50 - 2.06)		4.00	5.4	6.7	A++
	7	9	14	1.35	1.58	2.47	5.40 (1.8 - 6.8)		1.35 (0.50 - 2.06)		4.00	5.4	6.7	A++
	9	9	9	1.80	1.80	1.80	5.40 (1.8 - 6.8)		1.35 (0.50 - 2.06)		4.00	5.4	6.8	A++
	9	9	12	1.64	1.64	2.12	5.40 (1.8 - 6.8)		1.35 (0.50 - 2.06)		4.00	5.4	6.7	A++

AOYG24LAT3	Combination of Indoor Unit			COOLING OPERATION										
				Cooling Capacity				Input Power (min-max)	EER	Seasonal Data				
				Room 1	Room 2	Room 3	Total Capacity (min-max)			Pdesign	SEER	Energy efficiency class		
			kW	kW	kW	kW		kW						
2 Room	7	7	-	2.30	2.30	-	4.60 (1.8 - 5.0)		1.20 (0.50 - 1.40)		3.83	4.6	6.3	A++
	7	9	-	2.30	2.70	-	5.00 (1.8 - 5.7)		1.36 (0.50 - 1.78)		3.68	5.0	6.2	A++
	7	12	-	2.38	3.42	-	5.80 (1.8 - 6.1)		1.70 (0.50 - 1.97)		3.41	5.8	6.1	A++
	7	14	-	2.37	4.13	-	6.50 (1.8 - 7.2)		1.91 (0.50 - 2.46)		3.40	6.5	6.0	A+
	7	18	-	2.08	4.52	-	6.60 (1.8 - 7.8)		1.91 (0.50 - 2.87)		3.46	6.6	5.9	A+
	9	9	-	2.75	2.75	-	5.50 (1.8 - 6.2)		1.55 (0.50 - 2.02)		3.55	5.5	6.1	A++
	9	12	-	2.79	3.41	-	6.20 (1.8 - 6.8)		1.90 (0.50 - 2.45)		3.26	6.2	5.9	A+
	9	14	-	2.66	3.94	-	6.60 (1.8 - 7.7)		1.91 (0.50 - 2.77)		3.46	6.6	6.0	A+
	9	18	-	2.35	4.35	-	6.70 (1.8 - 7.9)		1.91 (0.50 - 2.87)		3.51	6.7	5.9	A+
	12	12	-	3.15	3.15	-	6.30 (1.8 - 7.2)		1.90 (0.50 - 2.74)		3.32	6.3	5.9	A+
	12	14	-	3.03	3.67	-	6.70 (1.8 - 7.8)		1.91 (0.50 - 2.87)		3.51	6.7	5.9	A+
	12	18	-	2.66	4.04	-	6.70 (1.8 - 7.9)		1.92 (0.50 - 2.87)		3.49	6.7	5.8	A+
	7	7	7	2.23	2.23	2.23	6.70 (1.8 - 7.4)		1.89 (0.50 - 2.37)		3.54	6.7	6.4	A++
	7	7	9	2.14	2.14	2.52	6.80 (1.8 - 7.8)		1.94 (0.60 - 2.87)		3.51	6.8	6.4	A++
	7	7	12	1.98	1.98	2.84	6.80 (1.8 - 8.1)		1.93 (0.50 - 2.87)		3.52	6.8	6.3	A++
7	7	14	1.82	1.82	3.16	6.80 (2.0 - 8.4)		1.94 (0.60 - 2.87)		3.51	6.8	6.2	A++	
7	7	18	1.63	1.63	3.54	6.80 (2.0 - 8.5)		1.94 (0.60 - 2.87)		3.51	6.8	6.1	A++	
7	9	9	2.03	2.38	2.38	6.80 (1.8 - 8.2)		1.93 (0.50 - 2.87)		3.52	6.8	6.4	A++	
3 Room	7	9	12	1.88	2.21	2.70	6.80 (1.8 - 8.2)		1.93 (0.50 - 2.87)		3.52	6.8	6.2	A++
	7	9	14	1.74	2.04	3.02	6.80 (2.0 - 8.4)		1.94 (0.60 - 2.87)		3.51	6.8	6.2	A++
	7	9	18	1.56	1.84	3.40	6.80 (2.0 - 8.5)		1.94 (0.60 - 2.87)		3.51	6.8	6.1	A++
	7	12	12	1.76	2.52	2.52	6.80 (1.8 - 8.2)		1.94 (0.50 - 2.87)		3.51	6.8	6.2	A++
	7	12	14	1.63	2.34	2.83	6.80 (2.0 - 8.5)		1.94 (0.60 - 2.87)		3.51	6.8	6.2	A++
	9	9	9	2.27	2.27	2.27	6.80 (1.8 - 8.2)		1.94 (0.50 - 2.87)		3.51	6.8	6.4	A++
	9	9	12	2.11	2.11	2.58	6.80 (1.8 - 8.3)		1.94 (0.50 - 2.87)		3.51	6.8	6.2	A++
	9	9	14	1.95	1.95	2.89	6.80 (2.0 - 8.5)		1.94 (0.60 - 2.87)		3.51	6.8	6.2	A++
	9	9	18*	1.77	1.77	3.27	6.80 (2.0 - 8.5)		1.94 (0.60 - 2.87)		3.51	6.8	6.1	A++
	9	12	12	1.97	2.41	2.41	6.80 (1.8 - 8.3)		1.94 (0.50 - 2.87)		3.51	6.8	6.2	A++
	9	12	14	1.84	2.24	2.72	6.80 (2.0 - 8.5)		1.94 (0.60 - 2.87)		3.51	6.8	6.2	A++
	12	12	12	2.27	2.27	2.27	6.80 (1.8 - 8.3)		1.94 (0.50 - 2.87)		3.51	6.8	6.1	A++

Note: *7:7000Btu/h / 9:9000Btu/h / 12:12000Btu/h / 14:14000Btu/h / 18:18000Btu/h models

- The above is the value for connecting with Wall Mounted type.
- 2 or more indoor units should be connected.
- Cooling capacity is based on 27°CDB/19°CWB (indoor temperature), 35°CDB (outdoor temperature).
- Pipe Length: 5m, Height difference: 0m (Outdoor unit to Indoor unit)
- The total ability of connectable indoor units is up to 36000Btu from 14000Btu.
- *1: When ASYG18L is connected, connect at least 1 wall mounted type of 9000Btu.

2 Rooms Multi heating

AOYG14LAC2	Combination of Indoor Unit		HEATING OPERATION									
			Heating Capacity				Input Power (min-max)	COP	Seasonal Data			
			Room 1	Room 2	Total Capacity (min-max)				Pdesign	SCOP	Energy efficiency class	
		kW	kW	kW		kW		kW				
2 Room	7	7	2.20	2.20	4.40 (1.1 - 5.4)		1.03 (0.25 - 1.78)		4.27	3.8	4.1	A+
	7	9	2.15	2.25	4.40 (1.1 - 5.4)		1.03 (0.25 - 1.78)		4.27	3.8	4.1	A+
	7	12	1.95	2.45	4.40 (1.1 - 5.5)		1.02 (0.25 - 1.76)		4.31	3.8	4.0	A+
	9	9	2.20	2.20	4.40 (1.1 - 5.4)		1.03 (0.25 - 1.78)		4.27	3.8	4.0	A+
	9	12	2.00	2.40	4.40 (1.1 - 5.5)		1.02 (0.25 - 1.76)		4.31	3.8	4.0	A+

Note: *7:7000Btu/h / 9:9000Btu/h / 12:12000Btu/h models

- The above is the value for connecting with Wall Mounted type.
- 2 or more indoor units should be connected.
- Heating capacity is based on 20°CDB (indoor temperature), 7°CDB/6°CWB (outdoor temperature).
- Pipe Length: 5m, Height difference: 0m (Outdoor unit to Indoor unit)
- The Total ability of connected a indoor unit is up to 21000Btu from 14000Btu.

AOYG18LAC2	Combination of Indoor Unit		HEATING OPERATION									
			Heating Capacity				Input Power (min-max)	COP	Seasonal Data			
			Room 1	Room 2	Total Capacity (min-max)				Pdesign	SCOP	Energy efficiency class	
		kW	kW	kW		kW		kW				
2 Room	7	7	2.70	2.70	5.40 (1.8 - 6.0)		1.24 (0.50 - 1.61)		4.37	3.8	4.1	A+
	7	9	2.50	3.00	5.50 (1.8 - 6.0)		1.36 (0.50 - 1.87)		4.04	4.0	4.1	A+
	7	12	2.30	3.30	5.60 (1.8 - 6.1)		1.38 (0.50 - 1.88)		4.06	4.2	4.0	A+
	7	14	2.25	3.35	5.60 (1.9 - 6.2)		1.35 (0.55 - 1.86)					

Multi Combination Table

4 Rooms Multi cooling

AOYG30LAT4	Combination of Indoor Unit				COOLING OPERATION										
					Cooling Capacity					Input Power (min-max)		EER	Seasonal Data		
					Room 1	Room 2	Room 3	Room 4	Total Capacity (min-max)	kW			Pdesign	SEER	Energy efficiency class
					kW	kW	kW	kW	kW	kW					
7	7	14	-	1.96	1.96	3.27	-	7.20 (1.6-8.9)	2.22 (0.68-3.43)	3.24	7.2	5.9	A+		
7	7	18	-	1.81	1.81	4.08	-	7.70 (2.8-10.0)	2.22 (0.98-3.55)	3.47	7.7	5.8	A+		
7	7	24	-	1.61	1.61	4.57	-	7.80 (2.8-10.1)	2.19 (0.98-3.53)	3.56	7.8	5.8	A+		
7	9	12	-	2.08	2.34	2.78	-	7.20 (1.6-8.9)	2.22 (0.68-3.41)	3.24	7.2	5.9	A+		
7	9	14	-	1.90	2.14	3.16	-	7.20 (2.8-9.1)	2.22 (0.98-3.56)	3.24	7.2	5.9	A+		
7	9	18	-	1.76	1.98	3.96	-	7.70 (2.8-9.9)	2.22 (0.98-3.56)	3.47	7.7	5.8	A+		
7	9	24	-	1.57	1.77	4.46	-	7.80 (2.8-10.1)	2.19 (0.98-3.53)	3.56	7.8	5.8	A+		
7	12	12	-	1.96	2.62	2.62	-	7.20 (1.6-9.1)	2.22 (0.68-3.54)	3.24	7.2	5.9	A+		
7	12	14	-	1.83	2.43	3.04	-	7.30 (2.8-9.2)	2.22 (0.98-3.56)	3.29	7.3	5.9	A+		
7	12	18	-	1.68	2.24	3.78	-	7.70 (2.8-9.9)	2.22 (0.98-3.56)	3.47	7.7	5.8	A+		
7	12	24	-	1.51	2.01	4.28	-	7.80 (2.8-10.1)	2.19 (0.98-3.56)	3.56	7.8	5.8	A+		
7	14	14	-	1.68	2.81	2.81	-	7.30 (2.8-9.3)	2.22 (0.98-3.58)	3.29	7.3	5.9	A+		
7	14	18	-	1.57	2.61	3.52	-	7.70 (3.5-10.0)	2.22 (1.17-3.58)	3.47	7.7	5.8	A+		
7	14	24	-	1.44	2.39	4.07	-	7.90 (3.5-10.1)	2.20 (1.17-3.58)	3.59	7.9	5.8	A+		
7	18	18	-	1.42	3.19	3.19	-	7.80 (3.5-10.1)	2.22 (1.17-3.58)	3.51	7.8	5.7	A+		
7	18	24	-	1.30	2.92	3.68	-	7.90 (4.7-10.1)	2.22 (1.27-3.58)	3.56	7.9	5.7	A+		
9	9	9	-	2.40	2.40	2.40	-	7.20 (2.8-8.9)	2.22 (0.98-3.42)	3.24	7.2	5.9	A+		
9	9	12	-	2.26	2.68	2.68	-	7.20 (2.8-9.1)	2.22 (0.98-3.54)	3.24	7.2	5.9	A+		
9	9	14	-	2.10	2.10	3.11	-	7.30 (2.8-9.2)	2.22 (0.98-3.57)	3.29	7.3	5.9	A+		
9	9	18	-	1.93	1.93	3.85	-	7.70 (2.8-9.9)	2.22 (0.98-3.56)	3.47	7.7	5.8	A+		
9	9	24	-	1.73	1.73	4.35	-	7.80 (2.8-10.1)	2.20 (1.17-3.54)	3.55	7.8	5.8	A+		
9	12	12	-	2.14	2.53	2.53	-	7.20 (2.8-9.1)	2.22 (0.98-3.54)	3.24	7.2	5.9	A+		
9	12	14	-	1.99	2.36	2.95	-	7.30 (2.8-9.2)	2.22 (0.98-3.57)	3.29	7.3	5.9	A+		
9	12	18	-	1.84	2.18	3.68	-	7.70 (2.8-9.9)	2.22 (0.98-3.56)	3.47	7.7	5.8	A+		
9	12	24	-	1.66	1.97	4.18	-	7.80 (2.8-10.1)	2.19 (0.98-3.56)	3.56	7.8	5.8	A+		
9	14	14	-	1.84	2.73	2.73	-	7.30 (3.5-9.3)	2.22 (1.17-3.58)	3.29	7.3	5.9	A+		
9	14	18	-	1.74	2.58	3.48	-	7.80 (3.5-10.0)	2.22 (1.17-3.58)	3.51	7.8	5.8	A+		
9	14	24	-	1.58	2.34	3.98	-	7.90 (3.5-10.1)	2.22 (1.27-3.56)	3.56	7.9	5.8	A+		
9	18	18	-	1.56	3.12	3.12	-	7.80 (4.7-10.1)	2.22 (1.27-3.58)	3.51	7.8	5.7	A+		
12	12	12	-	2.43	2.43	2.43	-	7.20 (2.8-9.2)	2.22 (0.98-3.55)	3.29	7.2	5.9	A+		
12	12	14	-	2.28	2.28	2.85	-	7.40 (2.8-9.3)	2.22 (0.98-3.58)	3.33	7.4	5.9	A+		
12	12	18	-	2.12	2.12	3.57	-	7.80 (3.5-10.0)	2.22 (1.17-3.57)	3.51	7.8	5.8	A+		
12	12	24	-	1.92	1.92	4.07	-	7.90 (3.5-10.1)	2.20 (1.17-3.54)	3.59	7.9	5.8	A+		
12	14	14	-	2.11	2.64	2.64	-	7.40 (3.5-9.4)	2.22 (1.17-3.58)	3.33	7.4	5.9	A+		
12	14	18	-	1.98	2.48	3.34	-	7.80 (3.5-10.1)	2.22 (1.17-3.58)	3.51	7.8	5.8	A+		
12	18	18	-	1.81	3.05	3.05	-	7.90 (4.7-10.1)	2.22 (1.27-3.58)	3.56	7.9	5.7	A+		
7	7	7	7	1.93	1.93	1.93	1.93	7.70 (1.6-9.6)	2.20 (0.68-3.41)	3.50	7.7	6.2	A++		
7	7	7	9	1.89	1.89	1.89	2.13	7.80 (1.6-9.8)	2.22 (0.68-3.54)	3.51	7.8	6.2	A++		
7	7	7	12	1.83	1.83	1.83	2.41	7.90 (1.6-9.9)	2.22 (0.68-3.54)	3.56	7.9	6.1	A++		
7	7	7	14	1.70	1.70	1.70	2.80	7.90 (2.8-9.9)	2.22 (0.98-3.56)	3.56	7.9	6.1	A++		
7	7	7	18	1.52	1.52	1.52	3.43	8.00 (2.8-10.1)	2.20 (0.98-3.55)	3.64	8.0	6.0	A+		
7	7	9	9	1.86	1.86	2.09	2.09	7.90 (2.8-9.7)	2.22 (0.98-3.42)	3.56	7.9	6.2	A++		
7	7	9	12	1.78	1.78	1.99	2.35	7.90 (2.8-9.9)	2.22 (0.98-3.55)	3.56	7.9	6.1	A++		
7	7	9	14	1.68	1.68	1.88	2.76	8.00 (2.8-10.0)	2.22 (0.98-3.57)	3.60	8.0	6.1	A++		
7	7	9	18	1.49	1.49	1.67	3.35	8.00 (3.5-10.1)	2.20 (1.17-3.55)	3.64	8.0	6.0	A+		
7	7	12	12	1.72	1.72	2.28	2.28	8.00 (2.8-10.0)	2.22 (0.98-3.55)	3.60	8.0	6.1	A++		
7	7	12	14	1.61	1.61	2.13	2.65	8.00 (2.8-10.0)	2.22 (0.98-3.57)	3.60	8.0	6.1	A++		
7	7	12	18	1.43	1.43	1.91	3.22	8.00 (3.5-10.1)	2.20 (1.17-3.56)	3.64	8.0	6.0	A+		
7	7	14	14	1.81	1.81	2.50	2.50	8.00 (3.5-10.1)	2.22 (1.17-3.58)	3.60	8.0	6.0	A+		
7	7	14	18	1.35	1.35	2.25	3.04	8.00 (3.5-10.1)	2.22 (1.17-3.58)	3.60	8.0	6.0	A+		
7	9	9	9	1.81	2.03	2.03	2.03	7.90 (2.8-9.9)	2.22 (0.98-3.56)	3.56	7.9	6.2	A++		
7	9	9	12	1.76	1.96	1.96	2.32	8.00 (2.8-10.0)	2.22 (0.98-3.56)	3.60	8.0	6.1	A++		
7	9	9	14	1.64	1.83	1.83	2.70	8.00 (3.5-10.1)	2.22 (1.17-3.58)	3.60	8.0	6.1	A++		
7	9	9	18	1.45	1.64	1.64	3.27	8.00 (3.5-10.1)	2.22 (1.17-3.56)	3.60	8.0	6.0	A+		
7	9	12	12	1.68	1.88	2.22	2.22	8.00 (2.8-10.0)	2.22 (0.98-3.56)	3.60	8.0	6.1	A++		
7	9	12	14	1.57	1.76	2.08	2.59	8.00 (3.5-10.1)	2.22 (1.17-3.58)	3.60	8.0	6.0	A+		
7	9	12	18	1.40	1.58	1.87	3.15	8.00 (3.5-10.1)	2.22 (1.17-3.56)	3.60	8.0	6.0	A+		
7	9	14	14	1.48	1.66	2.43	2.43	8.00 (3.5-10.1)	2.22 (1.17-3.58)	3.60	8.0	6.0	A+		
7	9	14	18	1.32	1.49	2.21	2.98	8.00 (4.7-10.1)	2.22 (1.27-3.57)	3.60	8.0	6.0	A+		
7	12	12	12	1.61	2.13	2.13	2.13	8.00 (2.8-10.1)	2.22 (0.98-3.56)	3.60	8.0	6.0	A+		
7	12	12	14	1.51	2.00	2.00	2.49	8.00 (3.5-10.1)	2.22 (1.17-3.58)	3.60	8.0	6.0	A+		
7	12	12	18	1.35	1.80	1.80	3.04	8.00 (3.5-10.1)	2.22 (1.17-3.56)	3.60	8.0	6.0	A+		
7	12	14	14	1.41	1.89	2.35	2.35	8.00 (3.5-10.1)	2.22 (1.17-3.58)	3.60	8.0	6.0	A+		
9	9	9	9	2.00	2.00	2.00	2.00	8.00 (3.5-10.0)	2.22 (1.17-3.56)	3.60	8.0	6.2	A++		
9	9	9	12	1.91	1.91	1.91	2.27	8.00 (3.5-10.0)	2.22 (1.17-3.56)	3.60	8.0	6.1	A++		
9	9	9	14	1.79	1.79	1.79	2.63	8.00 (3.5-10.0)	2.22 (1.17-3.56)	3.60	8.0	6.0	A+		
9	9	9	18 ¹	1.60	1.60	1.60	3.20	8.00 (4.7-10.0)	2.22 (1.17-3.56)	3.60	8.0	6.0	A+		
9	9	12	12	1.83	1.83	2.17	2.17	8.00 (3.5-10.0)	2.22 (1.17-3.56)	3.60	8.0	6.0	A+		
9	9	12	14	1.72	1.72	2.03	2.53	8.00 (3.5-10.0)	2.22 (1.17-3.56)	3.60	8.0	6.0	A+		
9	9	12	18 ²	1.54	1.54	1.83	3.09	8.00 (4.7-10.0)	2.22 (1.17-3.56)	3.60	8.0	6.0	A+		
9	9	14	14	1.62	1.62	2.38	2.38	8.00 (4.7-10.0)	2.22 (1.17-3.56)	3.60	8.0	6.0	A+		
9	12	12	12	1.76	2.08	2.08	2.08	8.00 (3.5-10.0)	2.22 (1.17-3.56)	3.60	8.0	6.0	A+		
9	12	12	14	1.66	1.95	1.95	2.44	8.00 (3.5-10.0)	2.22 (1.17-3.56)	3.60	8.0	6.0	A+		
9	12	14	14	1.55	1.85	2.30	2.30	8.00 (4.7-10.0)	2.22 (1.17-3.56)	3.60	8.0	6.0	A+		
12	12	12	12	2.00	2.00	2.00	2.00	8.00 (3.5-10.0)	2.22 (1.17-3.56)	3.60	8.0	6.0	A+		

Note: *7:7000Btu/h / 9:9000Btu/h / 12:12000Btu/h / 14:14000Btu/h / 18:18000Btu/h / 24:24000Btu/h models

- The above is the value for connecting with Wall Mounted type.
- 3 or more indoor units should be connected.
- Cooling capacity is based on 27°CDB/19°CWB (indoor temperature), 35°CDB (outdoor temperature).
- Pipe Length: 5m, Height difference: 0m (Outdoor unit to Indoor unit)
- The Total ability of connected a indoor unit is up to 49000Btu from 27000Btu.
- *1: Connection of ASYG18L + ARYG09L + ARYG09L + ARYG09L is not available. All types other than this combination can be connected.
- *2: Connection of ASYG18L + ARYG12L + ARYG09L + ARYG09L is not available. All types other than this combination can be connected.

4 Rooms Multi heating

AOYG30LAT4	Combination of Indoor Unit				HEATING OPERATION										
					Heating Capacity					Input Power (min-max)		COP	Seasonal Data		
					Room 1	Room 2	Room 3	Room 4	Total Capacity (min-max)	kW			Pdesign	SCOP	Energy efficiency class
					kW	kW	kW	kW	kW	kW					
7	7	14	-	2.42	2.42	4.15	-	9.00 (1.8-10.1)	2.66 (0.58-3.53)	3.38	5.8	3.8	A		
7	7	18	-	2.27	2.27	4.86	-	9.40 (3.3-11.2)	2.46 (0.87-3.52)	3.82	5.8	3.8	A		
7	7	24	-	2.03	2.03	5.44	-	9.50 (3.3-11.5)	2.47 (0.87-3.52)	3.85	5.8	3.8	A		
7	9	12	-	2.49	2.94	3.56	-	9.00 (1.8-10.0)	2.69 (0.58-3.51)	3.35	5.8	3.8	A		
7	9	14	-	2.33	2.75	4.00	-	9.10 (3.3-10.2)	2.64 (0.87-3.50)	3.45	5.8	3.8	A		
7	9	18	-	2.17	2.56	4.66	-	9.40 (3.3-11.3)	2.45 (0.87-3.50)	3.84	5.8	3.8	A		
7	9	24	-	1.98	2.33	5.29	-	9.60 (3.3-11.5)	2.46 (0.87-3.51)	3.90	5.8	3.8	A		
7	12	12	-	2.33	3.33	3.33	-	9.00 (1.8-10.1)	2.66 (0.58-3.48)	3.38	5.8	3.8	A		
7	12	14	-	2.22	3.17	3.80	-	9.20 (3.3-10.3)	2.62 (0.87-3.48)	3.51	5.8	3.8	A		
7	12	18	-	2.08	2.97	4.45	-	9.50 (3.3-11.4)	2.44 (0.87-3.47)	3.89	5.8	3.8	A		
7	12	24	-	1.88	2.69	5.03	-	9.60 (3.3-11.7)	2.45 (0.87-3.56)	3.92	5.8	3.8	A		

Multi Combination Table

8 Rooms Multi cooling

AOYG45LBT8	Combination of indoor unit								COOLING OPERATION												
									Cooling Capacity									Total	Input power		
									Room 1	Room 2	Room 3	Room 4	Room 5	Room 6	Room 7	Room 8	KW			KW	
2 Room	24	24	-	-	-	-	-	-	-	7.03	7.03	-	-	-	-	-	-	-	-	14.06	5.20
	18	24	-	-	-	-	-	-	-	5.27	7.03	-	-	-	-	-	-	-	-	12.30	4.24
	18	18	24	-	-	-	-	-	-	4.63	4.63	6.18	-	-	-	-	-	-	-	15.45	5.89
	18	18	18	-	-	-	-	-	-	5.01	5.01	5.01	-	-	-	-	-	-	-	15.03	5.90
	14	24	24	-	-	-	-	-	-	3.54	6.07	6.07	-	-	-	-	-	-	-	15.68	5.87
	14	18	24	-	-	-	-	-	-	3.84	4.94	6.59	-	-	-	-	-	-	-	15.37	5.90
	14	18	18	-	-	-	-	-	-	4.10	5.27	5.27	-	-	-	-	-	-	-	14.64	5.50
	14	14	24	-	-	-	-	-	-	4.10	4.10	7.03	-	-	-	-	-	-	-	15.23	5.79
	14	14	18	-	-	-	-	-	-	4.10	4.10	5.27	-	-	-	-	-	-	-	13.47	4.89
	14 ¹	14 ¹	14 ¹	-	-	-	-	-	-	4.10	4.10	4.10	-	-	-	-	-	-	-	12.30	4.24
	12	24	24	-	-	-	-	-	-	3.09	6.18	6.18	-	-	-	-	-	-	-	15.45	5.89
	12	18	24	-	-	-	-	-	-	3.35	5.01	6.68	-	-	-	-	-	-	-	15.04	5.90
12	18	18	-	-	-	-	-	-	3.52	5.27	5.27	-	-	-	-	-	-	-	14.06	5.20	
12	14	24	-	-	-	-	-	-	3.52	4.10	7.03	-	-	-	-	-	-	-	14.65	5.50	
12	14	18	-	-	-	-	-	-	3.52	4.10	5.27	-	-	-	-	-	-	-	12.89	4.57	
12 ¹	14 ¹	14 ¹	-	-	-	-	-	-	3.52	4.10	4.10	-	-	-	-	-	-	-	11.72	3.91	
12	12	24	-	-	-	-	-	-	3.52	3.52	7.03	-	-	-	-	-	-	-	14.07	5.20	
12	12	18	-	-	-	-	-	-	3.52	3.52	5.27	-	-	-	-	-	-	-	12.31	4.24	
9	24	24	-	-	-	-	-	-	2.46	6.54	6.54	-	-	-	-	-	-	-	15.54	5.90	
9	18	24	-	-	-	-	-	-	2.64	5.27	7.03	-	-	-	-	-	-	-	14.94	5.65	
9	18	18	-	-	-	-	-	-	2.64	5.27	5.27	-	-	-	-	-	-	-	13.18	4.73	
9	14	24	-	-	-	-	-	-	2.64	4.10	7.03	-	-	-	-	-	-	-	13.77	5.05	
9	14	18	-	-	-	-	-	-	2.64	4.10	5.27	-	-	-	-	-	-	-	12.01	4.08	
9	12	24	-	-	-	-	-	-	2.64	3.52	7.03	-	-	-	-	-	-	-	13.19	4.73	
9	12	18	-	-	-	-	-	-	2.64	3.52	5.27	-	-	-	-	-	-	-	11.43	3.74	
9	9	24	-	-	-	-	-	-	2.64	2.64	7.03	-	-	-	-	-	-	-	12.31	4.24	
7	24	24	-	-	-	-	-	-	1.93	6.64	6.64	-	-	-	-	-	-	-	15.21	5.90	
7	18	24	-	-	-	-	-	-	2.05	5.27	7.03	-	-	-	-	-	-	-	14.35	5.35	
7	18	18	-	-	-	-	-	-	2.05	5.27	5.27	-	-	-	-	-	-	-	12.59	4.41	
7	14	24	-	-	-	-	-	-	2.05	4.10	7.03	-	-	-	-	-	-	-	13.18	4.73	
7	14	18	-	-	-	-	-	-	2.05	4.10	5.27	-	-	-	-	-	-	-	11.42	3.74	
7	12	24	-	-	-	-	-	-	2.05	3.52	7.03	-	-	-	-	-	-	-	12.60	4.41	
7	9	24	-	-	-	-	-	-	2.05	2.64	7.03	-	-	-	-	-	-	-	11.72	3.91	
14	14	14	18	-	-	-	-	-	3.00	3.60	3.60	4.63	-	-	-	-	-	-	15.45	5.89	
14	14	14	14	-	-	-	-	-	3.84	3.84	3.84	3.84	-	-	-	-	-	-	15.37	5.90	
12	14	18	18	-	-	-	-	-	3.04	3.54	4.55	4.55	-	-	-	-	-	-	15.68	5.87	
12	14	14	18	-	-	-	-	-	3.15	3.67	3.67	4.72	-	-	-	-	-	-	15.21	5.90	
12	14	14	14	-	-	-	-	-	3.35	3.90	3.90	3.90	-	-	-	-	-	-	15.04	5.90	
12	12	18	18	-	-	-	-	-	3.09	3.09	4.63	4.63	-	-	-	-	-	-	15.45	5.89	
12	12	14	24	-	-	-	-	-	3.04	3.04	3.54	6.07	-	-	-	-	-	-	15.69	5.87	
12	12	14	18	-	-	-	-	-	3.30	3.30	3.84	4.94	-	-	-	-	-	-	15.38	5.90	
12	12	14	14	-	-	-	-	-	3.52	3.52	4.10	4.10	-	-	-	-	-	-	15.24	5.79	
12	12	12	24	-	-	-	-	-	3.09	3.09	3.09	6.18	-	-	-	-	-	-	15.45	5.89	
12	12	12	18	-	-	-	-	-	3.35	3.35	3.35	5.01	-	-	-	-	-	-	15.05	5.90	
12	12	12	14	-	-	-	-	-	3.52	3.52	3.52	4.10	-	-	-	-	-	-	14.66	5.50	
12	12	12	12	-	-	-	-	-	3.52	3.52	3.52	3.52	-	-	-	-	-	-	14.08	5.20	
9	14	18	18	-	-	-	-	-	2.34	3.64	4.67	4.67	-	-	-	-	-	-	15.33	5.89	
9	14	14	24	-	-	-	-	-	2.30	3.57	3.57	6.12	-	-	-	-	-	-	15.57	5.88	
9	14	14	18	-	-	-	-	-	2.49	3.87	3.87	4.97	-	-	-	-	-	-	15.21	5.90	
9	14	14	14	-	-	-	-	-	2.64	4.10	4.10	4.10	-	-	-	-	-	-	14.94	5.65	
9	12	18	18	-	-	-	-	-	2.46	3.28	4.90	4.90	-	-	-	-	-	-	15.54	5.90	
9	12	14	24	-	-	-	-	-	2.34	3.12	3.64	6.23	-	-	-	-	-	-	15.33	5.89	
9	12	14	18	-	-	-	-	-	2.53	3.37	3.93	5.05	-	-	-	-	-	-	14.87	5.90	
9	12	14	14	-	-	-	-	-	2.64	3.52	4.10	4.10	-	-	-	-	-	-	14.36	5.35	
9	12	12	24	-	-	-	-	-	2.46	3.28	3.28	6.54	-	-	-	-	-	-	15.55	5.90	
9	12	12	18	-	-	-	-	-	2.64	3.52	3.52	5.27	-	-	-	-	-	-	14.95	5.65	
9	12	12	14	-	-	-	-	-	2.64	3.52	3.52	4.10	-	-	-	-	-	-	13.78	5.05	
9	12	12	12	-	-	-	-	-	2.64	3.52	3.52	3.52	-	-	-	-	-	-	13.20	4.73	
9	9	18	24	-	-	-	-	-	2.32	2.32	4.63	6.18	-	-	-	-	-	-	15.45	5.89	
9	9	18	18	-	-	-	-	-	2.51	2.51	5.01	5.01	-	-	-	-	-	-	15.04	5.90	
9	9	14	24	-	-	-	-	-	2.47	2.47	3.84	6.59	-	-	-	-	-	-	15.38	5.90	
9	9	14	18	-	-	-	-	-	2.64	2.64	4.10	5.27	-	-	-	-	-	-	14.65	5.50	
9	9	14	14	-	-	-	-	-	2.64	2.64	4.10	4.10	-	-	-	-	-	-	13.48	4.89	
9	9	12	24	-	-	-	-	-	2.51	2.51	3.35	6.68	-	-	-	-	-	-	15.05	5.90	
9	9	12	18	-	-	-	-	-	2.64	2.64	3.52	5.27	-	-	-	-	-	-	14.07	5.20	
9	9	12	14	-	-	-	-	-	2.64	2.64	3.52	4.10	-	-	-	-	-	-	12.90	4.57	
9	9	9	24	-	-	-	-	-	2.64	2.64	2.64	7.03	-	-	-	-	-	-	12.32	4.24	
9	9	9	18	-	-	-	-	-	2.64	2.64	2.64	5.27	-	-	-	-	-	-	14.95	5.65	
9	9	9	14	-	-	-	-	-	2.64	2.64	2.64	4.10	-	-	-	-	-	-	13.19	4.73	
9	9	9	12	-	-	-	-	-	2.64	2.64	2.64	3.52	-	-	-	-	-	-	12.02	4.08	
9	9	9	12	-	-	-	-	-	2.64	2.64	2.64	3.52	-	-	-	-	-	-	11.44	3.74	
7	18	18	18	-	-	-	-	-	1.79	4.59	4.59	4.59	-	-	-	-	-	-	15.56	5.88	
7	14	18	18	-	-	-	-	-	1.91	3.82	4.91	4.91	-	-	-	-	-	-	15.54	5.90	
7	14	14	24	-	-	-	-	-	1.82	3.64	3.64	6.24	-	-	-	-	-	-	15.33	5.89	
7	14	14	18	-	-	-	-	-	1.96	3.93	3.93	5.05	-	-	-	-	-	-	14.87	5.90	
7	14	14	14	-	-	-	-	-	2.05	4.10	4.10	4.10	-	-	-	-	-	-	14.35	5.35	
7	12	18	24	-	-	-	-	-	1.79	3.07	4.59	6.12	-	-	-	-	-	-	15.57	5.88	
7	12	18	18	-	-	-	-	-	1.93	3.32	4.97	4.97	-	-	-	-	-	-	15.21	5.90	
7	12	14	24	-	-	-	-	-	1.91	3.28	3.82	6.54	-	-	-	-	-	-	15.54	5.90	
7	12	14	18	-	-	-	-	-	2.05	3.52	4.10	5.27	-	-	-	-	-	-	14.94	5.65	
7	12	14	14	-	-	-	-	-	2.05	3.52	4.10	4.10	-	-	-	-	-	-	13.77	5.05	
7	12	12	24	-	-	-	-	-	1.93	3.32	3.32	6.63	-	-	-	-	-	-	15.21	5.90	
7	12	12	18	-	-	-	-	-	2.05	3.52	3.52	5.27	-	-	-	-	-	-	14.36	5.35	
7	12	12	14	-	-	-	-	-	2.05	3.52	3.52	4.10	-	-	-	-	-	-	13.19	4.73	
7	12	12	12	-																	

Multi Combination Table

8 Rooms Multi cooling

AOYG45LBT8	Combination of indoor unit								COOLING OPERATION									
									Cooling Capacity									Input power
									Room 1	Room 2	Room 3	Room 4	Room 5	Room 6	Room 7	Room 8	Total	
		KW	KW	KW	KW	KW	KW	KW	KW	KW	KW	KW						
7	9	9	9	9	18	-	-	1.79	2.30	2.30	2.30	4.59	-	-	15.57	5.88		
7	9	9	9	9	12	-	-	1.93	2.49	2.49	2.49	4.59	-	-	15.22	5.90		
7	9	9	9	9	9	-	-	2.05	2.64	2.64	2.64	2.64	-	-	15.25	5.79		
7	7	12	12	12	12	-	-	1.77	1.77	3.04	3.04	3.04	3.04	-	-	15.69	5.87	
7	7	9	12	12	14	-	-	1.79	1.79	2.30	3.07	3.07	3.57	-	-	15.57	5.88	
7	7	9	12	12	12	-	-	1.82	1.82	2.34	3.12	3.12	3.12	-	-	15.34	5.89	
7	7	9	9	14	14	-	-	1.80	1.80	2.32	2.32	3.60	3.60	-	-	15.45	5.89	
7	7	9	9	12	18	-	-	1.77	1.77	2.28	2.28	3.04	4.55	-	-	15.69	5.87	
7	7	9	9	12	14	-	-	1.83	1.83	2.36	2.36	3.15	3.67	-	-	15.21	5.90	
7	7	9	9	12	12	-	-	1.92	1.92	2.47	2.47	3.30	3.30	-	-	15.38	5.90	
7	7	9	9	9	18	-	-	1.82	1.82	2.34	2.34	4.67	-	-	15.33	5.89		
7	7	9	9	9	14	-	-	1.93	1.93	2.49	2.49	3.87	-	-	15.21	5.90		
7	7	9	9	9	12	-	-	1.96	1.96	2.53	2.53	3.37	-	-	14.88	5.90		
7	7	9	9	9	9	-	-	2.05	2.05	2.64	2.64	2.64	-	-	14.66	5.50		
7	7	7	12	14	14	-	-	1.79	1.79	1.79	3.07	3.57	-	-	15.57	5.88		
7	7	7	12	12	14	-	-	1.82	1.82	1.82	3.12	3.12	3.64	-	-	15.33	5.89	
7	7	7	12	12	12	-	-	1.91	1.91	1.91	3.28	3.28	3.28	-	-	15.55	5.90	
7	7	7	9	14	18	-	-	1.77	1.77	1.77	2.28	3.54	4.55	-	-	15.68	5.87	
7	7	7	9	14	14	-	-	1.84	1.84	1.84	2.36	3.67	3.67	-	-	15.21	5.90	
7	7	7	9	12	18	-	-	1.80	1.80	1.80	2.32	3.09	4.63	-	-	15.45	5.89	
7	7	7	9	12	14	-	-	1.92	1.92	1.92	2.47	3.30	3.84	-	-	15.38	5.90	
7	7	7	9	12	12	-	-	1.95	1.95	1.95	2.51	3.35	3.35	-	-	15.05	5.90	
7	7	7	9	9	18	-	-	1.91	1.91	1.91	2.46	2.46	4.90	-	-	15.54	5.90	
7	7	7	9	9	14	-	-	1.96	1.96	1.96	2.53	2.53	3.93	-	-	14.87	5.90	
7	7	7	9	9	12	-	-	2.05	2.05	2.05	2.64	2.64	3.52	-	-	14.95	5.65	
7	7	7	9	9	9	-	-	2.05	2.05	2.05	2.64	2.64	2.64	-	-	14.07	5.20	
7	7	7	7	14	18	-	-	1.80	1.80	1.80	3.60	4.63	-	-	15.45	5.89		
7	7	7	7	14	14	-	-	1.92	1.92	1.92	1.92	3.84	3.84	-	-	15.37	5.90	
7	7	7	7	12	18	-	-	1.84	1.84	1.84	1.84	3.15	4.72	-	-	15.21	5.90	
7	7	7	7	12	14	-	-	1.95	1.95	1.95	1.95	3.35	3.90	-	-	15.04	5.90	
7	7	7	7	12	12	-	-	2.05	2.05	2.05	2.05	3.52	3.52	-	-	15.24	5.79	
7	7	7	7	9	24	-	-	1.79	1.79	1.79	1.79	2.30	6.12	-	-	15.57	5.88	
7	7	7	7	9	18	-	-	1.93	1.93	1.93	1.93	2.49	4.97	-	-	15.21	5.90	
7	7	7	7	9	14	-	-	2.05	2.05	2.05	2.05	2.64	4.10	-	-	14.94	5.65	
7	7	7	7	9	12	-	-	2.05	2.05	2.05	2.05	2.64	3.52	-	-	14.36	5.35	
7	7	7	7	9	9	-	-	2.05	2.05	2.05	2.05	2.64	2.64	-	-	13.48	4.89	
7	7	7	7	7	24	-	-	1.82	1.82	1.82	1.82	1.82	6.24	-	-	15.33	5.89	
7	7	7	7	7	18	-	-	1.96	1.96	1.96	1.96	5.05	-	-	14.87	5.90		
7	7	7	7	7	14	-	-	2.05	2.05	2.05	2.05	2.05	4.10	-	-	14.35	5.35	
7	7	7	7	7	12	-	-	2.05	2.05	2.05	2.05	3.52	-	-	13.77	5.05		
7	7	7	7	7	9	-	-	2.05	2.05	2.05	2.05	2.64	-	-	12.89	4.57		
7	7	7	7	7	7	-	-	2.05	2.05	2.05	2.05	2.05	-	-	12.30	4.24		
7	9	9	9	9	9	-	-	1.78	2.30	2.30	2.30	2.30	2.30	-	-	15.57	5.88	
7	7	9	9	9	9	12	-	1.77	1.77	2.28	2.28	2.28	3.04	-	-	15.69	5.87	
7	7	9	9	9	9	9	-	1.82	1.82	2.34	2.34	2.34	2.34	-	-	15.34	5.89	
7	7	7	9	9	9	14	-	1.77	1.77	1.77	2.28	2.28	3.54	-	-	15.69	5.87	
7	7	7	9	9	9	12	-	1.80	1.80	1.80	2.32	2.32	3.09	-	-	15.45	5.89	
7	7	7	9	9	9	9	-	1.91	1.91	1.91	2.46	2.46	2.46	-	-	15.55	5.90	
7	7	7	7	9	12	12	-	1.79	1.79	1.79	1.79	2.30	3.07	-	-	15.57	5.88	
7	7	7	7	9	14	-	-	1.80	1.80	1.80	2.32	3.60	3.60	-	-	15.45	5.89	
7	7	7	7	9	12	-	-	1.83	1.83	1.83	1.83	2.36	3.15	-	-	15.21	5.90	
7	7	7	7	9	9	9	-	1.93	1.93	1.93	1.93	2.49	2.49	-	-	15.21	5.90	
7	7	7	7	7	12	14	-	1.79	1.79	1.79	1.79	3.07	3.57	-	-	15.57	5.88	
7	7	7	7	7	12	12	-	1.82	1.82	1.82	1.82	3.12	3.12	-	-	15.33	5.89	
7	7	7	7	7	9	18	-	1.77	1.77	1.77	1.77	2.28	4.55	-	-	15.68	5.87	
7	7	7	7	7	9	14	-	1.84	1.84	1.84	1.84	2.36	3.67	-	-	15.21	5.90	
7	7	7	7	7	9	12	-	1.92	1.92	1.92	1.92	2.47	3.30	-	-	15.38	5.90	
7	7	7	7	7	9	9	-	1.96	1.96	1.96	1.96	2.53	2.53	-	-	14.87	5.90	
7	7	7	7	7	7	18	-	1.80	1.80	1.80	1.80	4.63	-	-	15.45	5.89		
7	7	7	7	7	7	14	-	1.92	1.92	1.92	1.92	3.84	-	-	15.37	5.90		
7	7	7	7	7	7	9	-	2.05	2.05	2.05	2.05	3.52	-	-	14.36	5.35		
7	7	7	7	7	7	12	-	2.05	2.05	2.05	2.05	2.64	-	-	13.48	4.89		
7	7	7	7	7	7	9	-	2.05	2.05	2.05	2.05	2.64	-	-	13.48	4.89		
7	7	7	7	7	7	18	-	1.96	1.96	1.96	1.96	5.05	-	-	14.87	5.90		
7	7	7	7	7	7	14	-	2.05	2.05	2.05	2.05	2.05	4.10	-	-	14.35	5.35	
7	7	7	7	7	7	12	-	2.05	2.05	2.05	2.05	3.52	-	-	13.77	5.05		
7	7	7	7	7	7	9	-	2.05	2.05	2.05	2.05	2.64	-	-	12.89	4.57		
7	7	7	7	7	7	7	-	2.05	2.05	2.05	2.05	2.05	-	-	12.30	4.24		
7	9	9	9	9	9	9	-	1.78	2.30	2.30	2.30	2.30	2.30	-	-	15.57	5.88	
7	7	9	9	9	9	12	-	1.77	1.77	2.28	2.28	2.28	3.04	-	-	15.69	5.87	
7	7	9	9	9	9	9	-	1.82	1.82	2.34	2.34	2.34	2.34	-	-	15.34	5.89	
7	7	7	9	9	9	14	-	1.77	1.77	1.77	2.28	2.28	3.54	-	-	15.69	5.87	
7	7	7	9	9	9	12	-	1.80	1.80	1.80	2.32	2.32	3.09	-	-	15.45	5.89	
7	7	7	9	9	9	9	-	1.91	1.91	1.91	2.46	2.46	2.46	-	-	15.55	5.90	
7	7	7	7	9	12	12	-	1.79	1.79	1.79	1.79	2.30	3.07	-	-	15.57	5.88	
7	7	7	7	9	14	-	-	1.80	1.80	1.80	2.32	3.60	3.60	-	-	15.45	5.89	
7	7	7	7	9	12	-	-	1.83	1.83	1.83	1.83	2.36	3.15	-	-	15.21	5.90	
7	7	7	7	9	9	9	-	1.93	1.93	1.93	1.93	2.49	2.49	-	-	15.21	5.90	
7	7	7	7	7	12	14	-	1.79	1.79	1.79	1.79	3.07	3.57	-	-	15.57	5.88	
7	7	7	7	7	12	12	-	1.82	1.82	1.82	1.82	3.12	3.12	-	-	15.33	5.89	
7	7	7	7	7	9	18	-	1.77	1.77	1.77	1.77	2.28	4.55	-	-	15.68	5.87	
7	7	7	7	7	9	14	-	1.84	1.84	1.84	1.84	2.36	3.67	-	-	15.21	5.90	
7	7	7	7	7	9	12	-	1.92	1.92	1.92	1.92	2.47	3.30	-	-	15.38	5.90	
7	7	7	7	7	9	9	-	1.96	1.96	1.96	1.96	2.53	2.53	-	-	14.87	5.90	
7	7	7	7	7	7	18	-	1.80	1.80	1.80	1.80	4.63	-	-	15.45	5.89		
7	7	7	7	7	7	14	-	1.92	1.92	1.92	1.92	3.84	-	-	15.37	5.90		
7	7	7	7	7	7	12	-	2.05	2.05	2.05	2.05	3.52	-	-	14.36	5.35		
7	7	7	7	7	7	9	-	2.05	2.05	2.05	2.05	2.64	-	-	13.48	4.89		
7	7	7	7	7	7	9	-	2.05	2.05	2.05	2.05	2.64	-	-	13.48	4.89		
7	7	7	7	7	7	18	-	1.96	1.96	1.96	1.96	5.05	-	-	14.87	5.90		
7	7	7	7	7	7	14	-	2.05</										

Multi Combination Table

8 Rooms Multi heating

AOYG45LBT8	Combination of indoor unit								HEATING OPERATION												
									Heating Capacity									Input power			
									Room 1	Room 2	Room 3	Room 4	Room 5	Room 6	Room 7	Room 8	Total				
4 Room	7	7	14	18	-	-	-	-	-	KW	KW	KW	KW	KW	KW	KW	KW	KW	KW	KW	KW
	7	7	14	14	-	-	-	-	-	2.37	2.37	4.80	5.86	-	-	-	-	-	15.40	4.75	4.21
	7	7	12	24	-	-	-	-	-	2.36	2.36	3.94	7.87	-	-	-	-	-	16.53	5.11	4.46
	7	7	12	18	-	-	-	-	-	2.37	2.37	3.96	5.86	-	-	-	-	-	14.56	4.00	4.91
	7	7	12	14	-	-	-	-	-	2.37	2.37	3.96	4.80	-	-	-	-	-	13.50	4.10	4.60
	7	7	9	24	-	-	-	-	-	2.37	2.37	2.99	7.91	-	-	-	-	-	15.64	4.10	3.90
	7	7	9	18	-	-	-	-	-	2.37	2.37	2.99	5.86	-	-	-	-	-	13.59	4.60	5.98
	7	7	7	24	-	-	-	-	-	2.37	2.37	2.37	7.91	-	-	-	-	-	15.02	3.90	5.98
	7	7	7	18	-	-	-	-	-	2.37	2.37	2.37	5.86	-	-	-	-	-	12.97	5.98	5.98
	12	12	12	12	14	-	-	-	-	3.51	3.51	3.51	3.51	4.26	-	-	-	-	18.32	5.98	5.98
	12	12	12	12	12	-	-	-	-	3.58	3.58	3.58	3.58	3.58	-	-	-	-	17.90	5.98	5.98
	9	12	12	14	14	-	-	-	-	2.66	3.52	3.52	4.27	4.27	-	-	-	-	18.26	5.98	5.98
9	12	12	12	14	-	-	-	-	2.71	3.59	3.59	3.59	4.35	-	-	-	-	17.84	5.87	5.98	
9	9	12	12	12	-	-	-	-	2.85	3.77	3.77	3.77	3.77	-	-	-	-	17.95	5.98	5.98	
9	9	14	14	14	-	-	-	-	2.67	2.67	4.28	4.28	4.28	-	-	-	-	18.19	5.98	5.98	
9	9	12	14	18	-	-	-	-	2.66	2.66	3.52	4.26	5.21	-	-	-	-	18.30	5.98	5.98	
9	9	12	14	14	-	-	-	-	2.72	2.72	3.60	4.37	4.37	-	-	-	-	17.77	5.98	5.98	
9	9	12	12	18	-	-	-	-	2.71	2.71	3.58	3.58	5.30	-	-	-	-	17.88	5.98	5.98	
9	9	12	12	14	-	-	-	-	2.86	2.86	3.78	3.78	4.58	-	-	-	-	17.86	5.98	5.98	
9	9	12	12	12	-	-	-	-	2.89	2.89	3.83	3.83	3.83	-	-	-	-	17.28	5.98	5.98	
9	9	9	14	18	-	-	-	-	2.71	2.71	2.71	4.36	5.32	-	-	-	-	17.82	5.98	5.98	
9	9	9	14	14	-	-	-	-	2.86	2.86	2.86	4.59	4.59	-	-	-	-	17.77	5.98	5.98	
9	9	9	12	18	-	-	-	-	2.85	2.85	2.85	3.78	5.59	-	-	-	-	17.92	5.98	5.98	
9	9	9	12	14	-	-	-	-	2.90	2.90	2.90	3.84	4.65	-	-	-	-	17.19	5.98	5.98	
9	9	9	12	12	-	-	-	-	2.97	2.97	2.97	3.93	3.93	-	-	-	-	16.78	5.98	5.98	
9	9	9	9	24	-	-	-	-	2.70	2.70	2.70	2.70	7.14	-	-	-	-	17.94	5.98	5.98	
9	9	9	9	18	-	-	-	-	2.89	2.89	2.89	2.89	5.67	-	-	-	-	17.25	5.98	5.98	
9	9	9	9	14	-	-	-	-	2.97	2.97	2.97	2.97	4.77	-	-	-	-	16.67	5.98	5.98	
9	9	9	9	12	-	-	-	-	2.99	2.99	2.99	2.99	3.96	-	-	-	-	15.92	5.98	5.98	
9	9	9	9	9	-	-	-	-	2.99	2.99	2.99	2.99	2.99	-	-	-	-	14.95	5.98	5.98	
7	12	14	14	14	-	-	-	-	2.10	3.51	4.25	4.25	4.25	-	-	-	-	18.37	5.98	5.98	
7	12	14	14	14	-	-	-	-	2.14	3.57	3.57	4.33	4.33	-	-	-	-	17.95	5.98	5.98	
7	12	12	18	-	-	-	-	-	2.13	3.56	3.56	3.56	5.26	-	-	-	-	18.06	5.98	5.98	
7	12	12	14	-	-	-	-	-	2.25	3.76	3.76	3.76	4.56	-	-	-	-	18.10	5.98	5.98	
7	12	12	12	12	-	-	-	-	2.28	3.81	3.81	3.81	3.81	-	-	-	-	17.52	5.98	5.98	
7	9	14	14	18	-	-	-	-	2.09	2.64	4.24	4.24	5.18	-	-	-	-	18.40	5.98	5.98	
7	9	14	14	14	-	-	-	-	2.14	2.71	4.34	4.34	4.34	-	-	-	-	17.88	5.98	5.98	
7	9	12	14	18	-	-	-	-	2.13	2.69	3.57	4.32	5.28	-	-	-	-	17.99	5.98	5.98	
7	9	12	14	14	-	-	-	-	2.26	2.85	3.77	4.57	4.57	-	-	-	-	18.01	5.98	5.98	
7	9	12	12	18	-	-	-	-	2.25	2.84	3.76	3.76	5.56	-	-	-	-	18.16	5.98	5.98	
7	9	12	12	14	-	-	-	-	2.28	2.88	3.82	3.82	4.63	-	-	-	-	17.43	5.98	5.98	
7	9	12	12	12	-	-	-	-	2.35	2.96	3.92	3.92	3.92	-	-	-	-	17.09	5.98	5.98	
7	9	9	18	18	-	-	-	-	2.13	2.69	2.69	5.27	5.27	-	-	-	-	18.04	5.98	5.98	
7	9	9	14	18	-	-	-	-	2.25	2.84	2.84	4.56	5.57	-	-	-	-	18.07	5.98	5.98	
7	9	9	14	14	-	-	-	-	2.29	2.89	2.89	4.64	4.64	-	-	-	-	17.34	5.98	5.98	
7	9	9	12	24	-	-	-	-	2.12	2.68	2.68	3.55	7.08	-	-	-	-	18.11	5.98	5.98	
7	9	9	12	18	-	-	-	-	2.28	2.88	2.88	3.81	5.64	-	-	-	-	17.49	5.98	5.98	
7	9	9	12	14	-	-	-	-	2.35	2.97	2.97	3.93	4.76	-	-	-	-	16.97	5.98	5.98	
7	9	9	12	12	-	-	-	-	2.37	2.98	2.98	3.95	3.95	-	-	-	-	16.24	5.98	5.98	
7	9	9	9	24	-	-	-	-	2.17	2.74	2.74	2.74	7.24	-	-	-	-	17.63	5.98	5.98	
7	9	9	9	18	-	-	-	-	2.35	2.96	2.96	2.96	5.81	-	-	-	-	17.05	5.98	5.98	
7	9	9	9	14	-	-	-	-	2.37	2.99	2.99	2.99	4.79	-	-	-	-	16.12	5.98	5.98	
7	9	9	9	12	-	-	-	-	2.37	2.99	2.99	2.99	3.96	-	-	-	-	15.30	4.75	4.33	
7	9	9	9	9	-	-	-	-	2.37	2.99	2.99	2.99	2.99	-	-	-	-	14.33	4.33	5.98	
7	7	14	14	18	-	-	-	-	2.12	2.12	4.30	4.30	5.25	-	-	-	-	18.10	5.98	5.98	
7	7	14	14	14	-	-	-	-	2.25	2.25	4.55	4.55	4.55	-	-	-	-	18.16	5.98	5.98	
7	7	12	18	18	-	-	-	-	2.11	2.11	3.53	5.23	5.23	-	-	-	-	18.21	5.98	5.98	
7	7	12	14	18	-	-	-	-	2.16	2.16	3.62	4.38	5.35	-	-	-	-	17.68	5.98	5.98	
7	7	12	14	14	-	-	-	-	2.28	2.28	3.80	4.61	4.61	-	-	-	-	17.58	5.98	5.98	
7	7	12	12	24	-	-	-	-	2.11	2.11	3.52	3.52	7.03	-	-	-	-	18.29	5.98	5.98	
7	7	12	12	14	-	-	-	-	2.35	2.35	3.92	3.92	4.75	-	-	-	-	17.28	5.98	5.98	
7	7	12	12	12	-	-	-	-	2.36	2.36	3.94	3.94	3.94	-	-	-	-	16.54	5.11	5.98	
7	7	9	18	18	-	-	-	-	2.16	2.16	2.72	5.34	5.34	-	-	-	-	17.73	5.98	5.98	
7	7	9	14	24	-	-	-	-	2.11	2.11	2.67	4.28	7.05	-	-	-	-	18.22	5.98	5.98	
7	7	9	14	18	-	-	-	-	2.27	2.27	2.87	4.61	5.62	-	-	-	-	17.64	5.98	5.98	
7	7	9	14	14	-	-	-	-	2.35	2.35	2.96	4.75	4.75	-	-	-	-	17.16	5.98	5.98	
7	7	9	12	24	-	-	-	-	2.15	2.15	2.72	3.60	7.18	-	-	-	-	17.80	5.98	5.98	
7	7	9	12	18	-	-	-	-	2.34	2.34	2.96	3.92	5.80	-	-	-	-	17.36	5.98	5.98	
7	7	9	12	14	-	-	-	-	2.36	2.36	2.98	3.95	4.78	-	-	-	-	16.43	5.98	5.98	
7	7	9	12	12	-	-	-	-	2.37	2.37	2.99	3.96	3.96	-	-	-	-	15.65	4.91	5.98	
7	7	9	9	24	-	-	-	-	2.27	2.27	2.86	2.86	7.56	-	-	-	-	17.81	5.98	5.98	
7	7	9	9	18	-	-	-	-	2.36	2.36	2.98	2.98	5.83	-	-	-	-	16.51	5.98	5.98	
7	7	9	9	14	-	-	-	-	2.37	2.37	2.99	2.99	4.80	-	-	-	-	15.52	4.75	4.46	
7	7	9	9	12	-	-	-	-	2.37	2.37	2.99	2.99	3.96	-	-	-	-	14.68	4.46	4.10	
7	7	9	9	9	-	-	-	-	2.37	2.37	2.99	2.99	2.99	-	-	-	-	13.71	4.10	5.98	
7	7	7	18	18	-	-	-	-	2.26	2.26	2.26	5.58	5.58	-	-	-	-	17.95	5.98	5.98	
7	7	7	14	24	-	-	-	-	2.14	2.14	2.14	4.34	7.15	-	-	-	-	17.91	5.98	5.98	
7	7	7	14	18	-	-	-	-	2.30	2.30	2.30	4.65	5.68	-	-	-	-	17.22	5.98	5.98	
7	7	7	14	14																	

Simultaneous Multi Twin / Triple

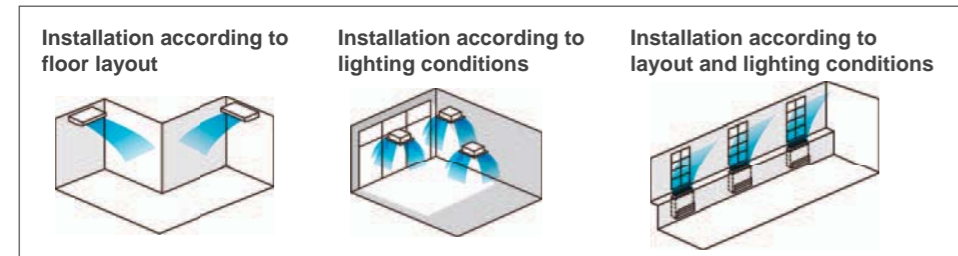
Model : AOYG36LATT [3phase]
 AOYG45LATT [3phase]
 AOYG54LATT [3phase]



Features

Can support various installation scenes from office to commercial space by same place multi connection of up to 3units.

Indoor units distributed layout according to the shape and number of people and lighting conditions of the room even on wide floors and atypical floors. Ideal comfortable air flow distribution can be realized.



Simultaneous Operation Multi type Indoor Unit Line up

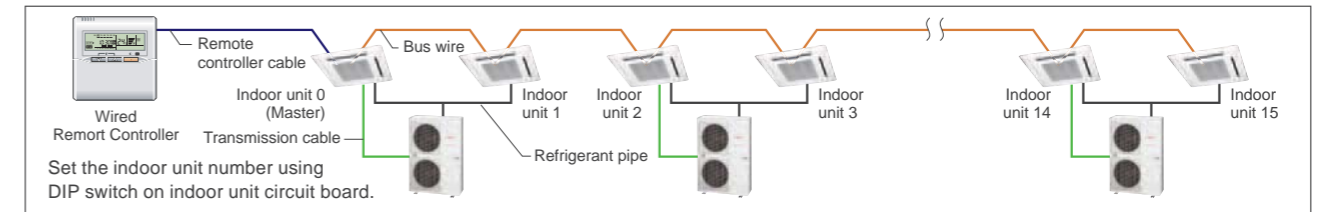
	Twin			Triple
	18x2	22x2	24x2	18x3
Cassette	AUYG18LVx2 	AUYG22LVx2 	AUYG24LVx2 	AUYG18LVx3
Duct	ARYG18LLx2 	ARYG22LMx2 	ARYG24LMx2 	ARYG18LLx3
Ceiling	ABYG18LVx2 	ABYG22LVx2 	ABYG24LVx2 	ABYG18LVx3
Outdoor unit	AOYG36LATT 	AOYG45LATT 	AOYG54LATT 	

Note: Combinations other than the above are not available.

Features

Simultaneous control

Max 16 indoor units are simultaneously controlled with a wired remote controller.



Specifications

Model No.	Indoor unit	Compact Cassette			
		AUYG18LVLB	AUYG22LVLA	AUYG24LVLA	
Power Source	V/∅/Hz	230/1/50	230/1/50	230/1/50	
Air Flow (High)	Cooling H/M/L/Q	m³/h	680/580/490/410	930/830/600/450	930/830/600/450
Net Dimension H x W x D	mm	245x570x570	245x570x570	245x570x570	
Weight	kg(lbs)	15 (33)	16 (35)	16 (35)	
Cassette Grille		UTG-UFYD-W	UTG-UFYD-W	UTG-UFYD-W	

Model No.	Indoor unit	Duct			Floor/Ceiling Universal	
		ARYG18LLTB	ARYG22LMLA	ARYG24LMLA	ABYG18LVTB	ABYG22LVTA
Power Source	V/∅/Hz	230/1/50	230/1/50	230/1/50	230/1/50	230/1/50
Air Flow (High)	Cooling H/M/L/Q	m³/h	940/880/820/750	1100/910/750/580	780/700/560/500	980/820/680/540
Net Dimension H x W x D	mm	198 x 900 x 620	270 x 1135 x 700	199 x 990 x 655	199 x 990 x 655	199 x 990 x 655
Weight	kg(lbs)	23 (51)	38 (84)	27 (60)	27 (60)	27 (60)

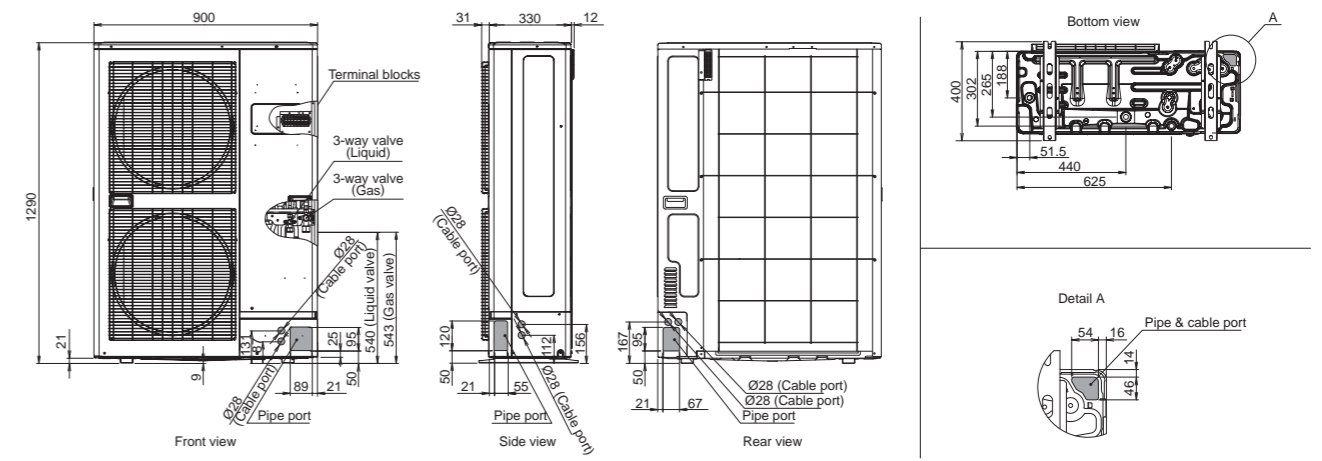
Model No.	Outdoor unit	Outdoor unit		
		AOYG36LATT	AOYG45LATT	AOYG54LATT
Capacity	Cooling	10.0	12.5	14.0
	Heating	11.2	14.5	16.0
Power source	V/∅/Hz	400/3/50	400/3/50	400/3/50
Pdesign	Cooling	10.0	-	-
	Heating (@-10°C)	10.0	-	-
SEER	Cooling	6.00	-	-
SCOP	Heating	4.00	-	-
Annual Energy Consumption	Cooling	583	-	-
	Heating	3499	-	-
Energy Efficiency Class	Cooling	A+	-	-
	Heating	A+	-	-
Sound Pressure (High)	Cooling	51	54	55
	Heating	67	-	-
Net Dimension H x W x D	mm	1290x900x330	1290x900x330	1290x900x330
Weight	kg(lbs)	104(229)	104(229)	104(229)
Piping Connections (Small / Large)	mm	9.52/15.88	9.52/15.88	9.52/15.88
Max Pipe Length (Pre-Charge)	m	75(30)	75(30)	75(30)
Height Difference	m	30	30	30
Operation Range	Cooling	-15~46	-15~46	-15~46
	Heating	-15~24	-15~24	-15~24
Refrigerant		R410A	R410A	R410A
Separation tube		UTP-SX236A(Twin)	UTP-SX254A(Twin)	UTP-SX254A(Twin)/UTP-SX354A(Triple)

*Different type and capacity indoor units can not be connected.

Dimensions

(Unit : mm)

Outdoor Unit : AOYG36LATT / AOYG45LATT / AOYG54LATT



FEATURE EXPLANATION

Comfortable function

- Human sensor**
Human sensor catches movements of people in a room.
- Up / down swing flaps**
The up/down flaps automatically swing up and down.
- Double swing automatic**
Complex swing action of flaps enables automatically to swing both horizontal and vertical directions.
- Automatic air flow adjustment**
The micro-computer automatically adjusts the air flow effectively to follow the changes of room temperature.
- Auto restart**
In the event of a temporary power failure, the air conditioner will automatically restart in the same operating mode as before, once the power supply is restored.
- Auto-changeover**
The unit automatically switches between heating and cooling modes based on your temperature setting and the room temperature.
- 10°C HEAT operation**
The room temperature can be set to go no lower than 10°C, thus ensuring that the room does not get too cold when not occupied.
- Connectable distributing duct**
- Connectable fresh air duct**
- Fresh air intake**
Fresh air can be taken in by a fan which can be connected using external control unit.
- Economy mode**
Limits the maximum operation current, and performs operation with the power consumption suppressed.
- Powerful mode**
Operation at maximum air flow and compressor speed, and quickly makes the room comfortable.
- Low Noise Mode**
Sound noise level of outdoor unit can be selected.

- V-PAM control models**
- i-PAM control models**

Convenient function

- Sleep timer**
The micro-computer gradually changes the room temperature automatically to afford a comfortable night's sleep.
- Program timer**
This digital timer allows selection of one of four options: ON, OFF, ON → OFF or OFF → ON.
- Weekly timer**
Different on-off times can be set for each day.
- Weekly + setback timer**
Weekly + Setback timer can set temperature for two times spans and for each day of the week.
- Filter sign**
Indicates the filter cleaning period by lamp.

Clean function

- Ion deodorization filter**
The filter deodorizes by powerfully decomposing absorbed odors using the oxidizing and reducing effects of ions generated by the ultra-fine-particle ceramic.
- Apple-catechin filter**
The Apple-catechin filter uses static electricity to clean fine particles and dust in the air.
- Washable panel**

Feature summary

	Wall Mounted	Floor	Compact Cassette / Cassette	Floor/Ceiling	Ceiling	Slim Duct	Medium Static Pressure Duct	High Static Pressure Duct							
	ASYG09/12/LCA	ASYG07/09/12/14/LUCA	ASYG18/30/LFCA, ASYG24/LFCC	ASYG09/12/LLCA	ASYG07/09/12/LJCA	AGYG09/12/14/LVCA	AUYG12/14/18/LVLB, AUYG24/LVLA	AUYG30/36/LRLE, AUYG36/45/54/LRLA	ABYG18/LVTB, ABYG24/LVTA	ABYG30/36/LRTE, ABYG36/45/54/LRTA	ARYG12/14/18/LLTB	ARYG24/36/45/LMLA, ARYG30/36/LMLE	ARYG45/54/60/LHTA	ARYC72/90/LHTA	
Comfortable function															
Human sensor	●														
Up / down swing flaps	●	●	●		●	●	●	●	●				○		
Double swing automatic				●							●	●			
Automatic air flow adjustment	●	●	●	●	●	●	●	●	●	●	●	●	●	●	●
Auto restart	●	●	●	●	●	●	●	●	●	●	●	●	●	●	●
Auto-changeover	●	●	●	●	●	●	●	●	●	●	●	●	●	●	●
10°C heat operation	●	●	●	●		●	●	●	○	●	●	○	○	○	(60)
Connectable distributing duct									●				●		
Connectable fresh air duct									○	●		●	○	●	○
Fresh air intake									○	○		○	○	○	○
Economy mode	●	●	●	●	●	●	●	●	●	●	●	●	●	●	●
Powerful mode	●	●	●		●										
Low Noise mode	●	●	●									○ (45/54) (36LRLA)	○ (45/54) (36LRTA)	○ (45) (36LMLA)	○
Convenient function															
Sleep timer	●	●	●	●	●	●	●	●	○	●	●	○	○	○	(60)
Program timer	●	●	●	●	●	●	●	●	○	●	●	○	○	○	(60)
Weekly timer	●	●													
Weekly + setback timer	○	○	○	○		○	○	○	●	○	○	●	●	●	●
Filter sign	●	●	●	●	●	●	●	●	●	●	●	●	●	●	
Clean function															
Ion deodorization filter	●	●	●	●		●	●								
Apple-catechin filter	●	●	●	●		●	●								
Washable panel			●	●	●	●	●								

○: Optional function