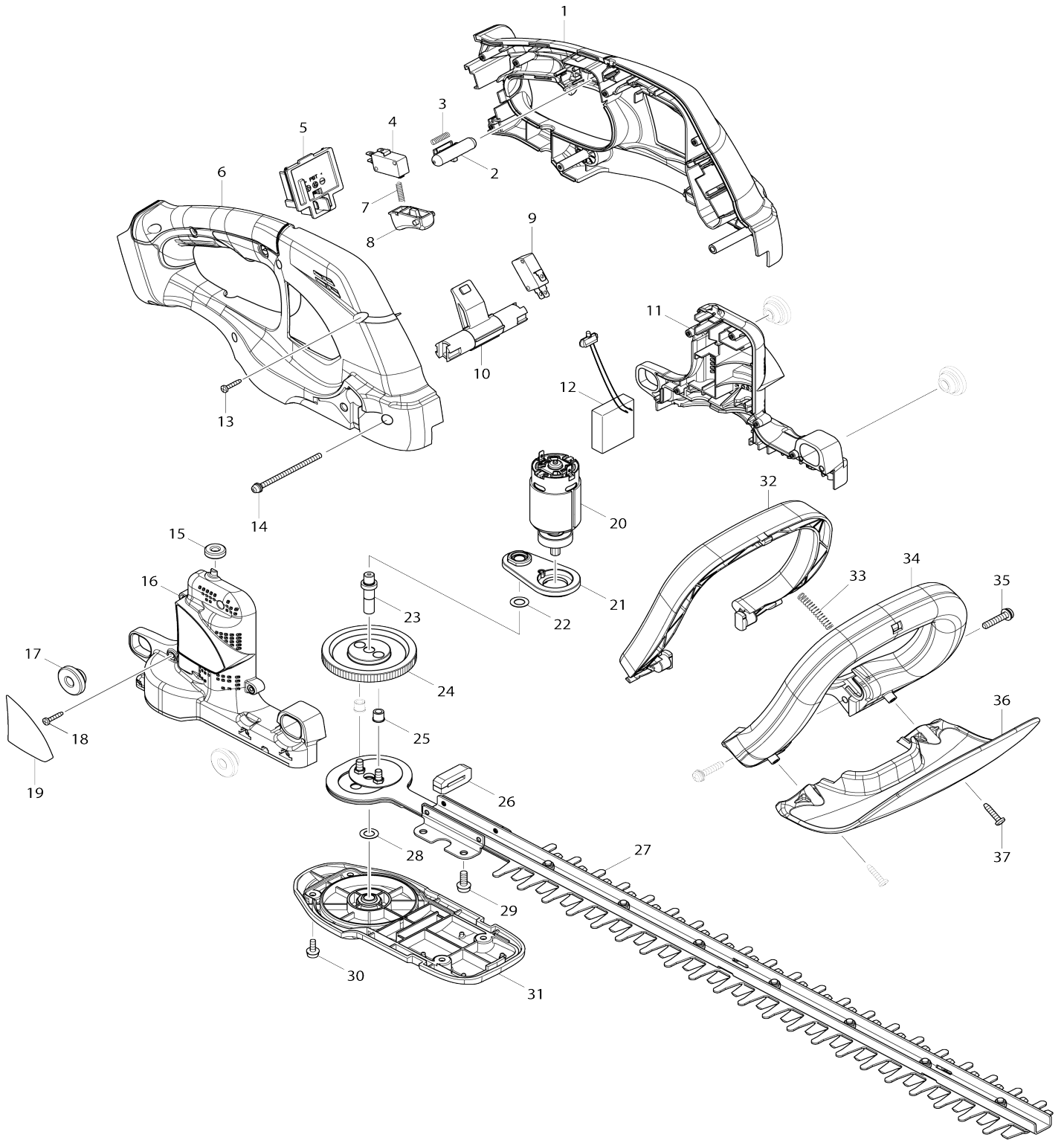


Model No.DUH523 520MM CORDLESS HEDGE TRIMMER



Model No.DUH523 520MM CORDLESS HEDGE TRIMMER

Item No.	Parts No.	Description	Interc hang eabilit y	Q'ty	New/ Old	Note1	Note2
001	187286-4	HANDLE SET		1	*		
D10		INC. 6					
001-1	183K17-5	HANDLE SET	<	1			
C10	263005-3	RUBBER PIN 6		2			
D10		INC. 6					
002	452438-9	LOCK OFF BUTTON		1			
003	231473-8	COMPRESSION SPRING 4		1			
004	651852-8	SWITCH V-15-1A5		1			
005	643852-2	TERMINAL		1			
006	187286-4	HANDLE SET		1	*		
D10		INC. 1					
006-1	183K17-5	HANDLE SET	<	1			
C10	263005-3	RUBBER PIN 6		2			
D10		INC. 1					
007	231473-8	COMPRESSION SPRING 4		1			
008	417564-1	SWITCH LEVER		1			
009	651852-8	SWITCH V-15-1A5		1			
010	452681-0	SWITCH ARM		1			
011	187285-6	MOTOR HOUSING SET		1	*		
D10		INC. 16					
011-1	183P34-5	MOTOR HOUSING SET	S	1			
D10		INC. 16					
012	638966-0	CONTROLLER UNIT		1	*		
C10	688161-2	LINE FILTER		1	*		
012-1	632M89-4	CONTROLLER UNIT	<	1	*		
C10	688161-2	LINE FILTER		1	*		
012-2	632N08-6	CONTROLLER UNIT	O	1	*		
C10	688161-2	LINE FILTER		1	*		
012-3	632R83-6	CONTROLLER UNIT	<	1			
C10	688161-2	LINE FILTER		1			
C20	654086-2	RECEPTACLE		2			
013	266429-2	TAPPING SCREW 3X16		6			
014	911193-7	PAN HEAD SCREW M4X65		1			
015	424195-9	RUBBER RING 6		1			
016	187285-6	MOTOR HOUSING SET		1	*		
D10		INC. 11					
016-1	183P34-5	MOTOR HOUSING SET	S	1			
D10		INC. 11					
017	424394-3	RUBBER RING 8		4			
018	266429-2	TAPPING SCREW 3X16		5			
019	815U45-9	DUH523 NAME PLATE		1			
020	629930-2	DC MOTOR		1	*		
020-1	629450-6	DC MOTOR	S	1			
021	141211-9	BEARING BOX COMPLETE		1			
022	253215-0	FLAT WASHER 8		1			
023	326034-8	SPINDLE		1			
024	227281-3	SPUR GEAR 93		1			

025	262570-9	NYLON SLEEVE 5		2		
026	423417-4	DUST GUARD		1		
027	195769-0	SHEAR BLADE COMPLETE SET		1		
C10	188605-7	OIL VESSEL SET		1		
C20	262570-9	NYLON SLEEVE 5		2		
028	253215-0	FLAT WASHER 8		1		
029	911218-7	PAN HEAD SCREW M5X14		4		
030	911113-1	PAN HEAD SCREW M4X10 WITH WR		4		
031	453317-4	UNDER COVER		1		
032	452678-9	SWITCH LEVER B		1		
033	234261-2	COMPRESSION SPRING 5		1		
034	452682-8	FRONT GRIP		1		
035	911243-8	PAN HEAD SCREW M5X25		2		
036	453316-6	PROTECTOR		1		
037	265995-6	TAPPING SCREW 4X18		2		
A01	452685-2	BLADE COVER		1		
E01	645006-7	NOISE SUPPRESSOR		1	*	
F03	194513-2	BATTERY BL1815 SET		1		
F04	195050-9	CHIP RECEIVER ASSEMBLY SET		1		
F05-3	197606-4	BATTERY BL1830B SET (2PIECES)	O	1		
F06	195445-6	BATTERY BL1815 SET		1		
F08	196167-1	SHEAR BLADE COMPLETE SET		1		
F09-2	196235-0	BATTERY BL1815N SET	O	1		
F10-1	196449-1	BATTERY BL1815N SET	O	1		
F11-2	196449-1	BATTERY BL1815N SET	O	1		
A02	***DC18SD	DC18SD BATTERY CHARGER		1		
A03	194513-2	BATTERY BL1815 SET		1		
A02	***DC18RC	DC18RC FAST CHARGER		1		
A03	194204-5	BATTERY BL1830 SET		1	*	
A03-1	194204-5	BATTERY BL1830 SET	O	1	*	
A03-2	197600-6	BATTERY BL1830B SET	<	1	*	
A03-3	197600-6	BATTERY BL1830B SET	O	1		
A02-1	***DC18SD	DC18SD BATTERY CHARGER	O	1		
A03	196235-0	BATTERY BL1815N SET		1	*	
A03-1	196235-0	BATTERY BL1815N SET	O	1		
A04	450128-8	BATTERY COVER		1		
A03	196460-3	BATTERY BL1820 SET		1		
A03-1	197600-6	BATTERY BL1830B SET	<	1	*	

Please state Parts No. when your order.

Print Date 17/10/2023