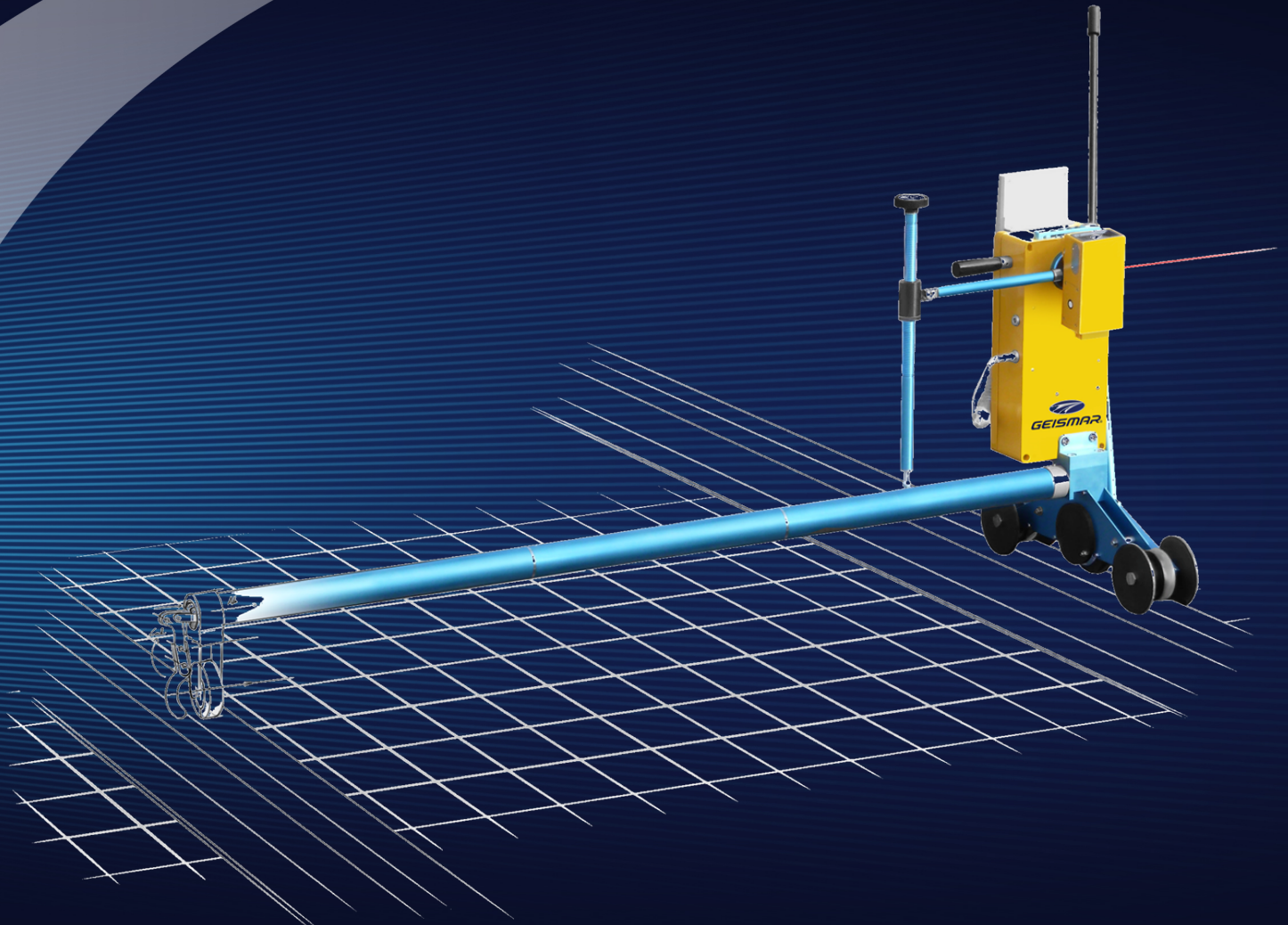


# LASER SURVEY RECORDER

MEPHISTO

*Advanced equipment  
for track measuring and control*



*Precise track positional measurement*

*Intuitive control*

*Easy transportation and assembly*

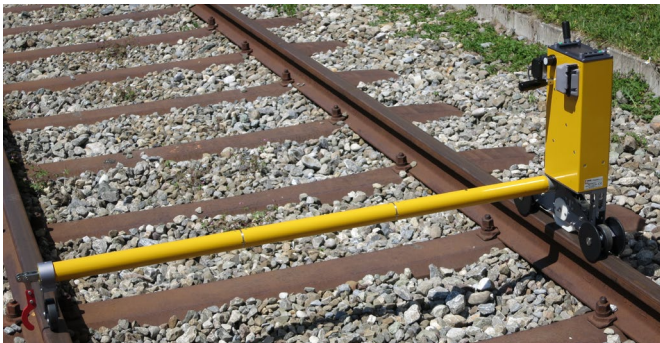


# LASER SURVEY RECORDER

MEPHISTO

## Your benefits

- Precise track positional measurement taking reference from marker posts or fixed infrastructure to calculate track line and level
- Polyvalent measurement of structure gauge and critical points of infrastructure (bridges, tunnels, noise barrier...)
- Clear OHL position measurement (height/offset) with a swiveling laser fitted with an accurate adjuster
- Intuitive operation controlled by the ergonomic wired remote keypad
- Light and easily assembled elements that are stored and transported in its customized transit case



## Technological advantages

- Most advanced measuring and calculation Laser Technologies
- Easy programming through user-friendly interface
- Wide measuring range up to 10 m (33 ft) with 300° angle
- Millimetric accuracy
- Convenient measurement GPS localization
- Reliable rollers insulation
- Measurement on turnouts
- User friendly sound assistance to target easily the contact wire

## Laser recorder specifications

Displayed measurements	• Position of track (fixed point, low point)
	• Track structure gauge
Displayed measurements	• Infringements to track structure gauge
	• Position of reception areas (platform edges, walls)
Displayed measurements	• Bridges curvature
	• OHL position
Displayed measurements	• Position of the edge of platforms
	• Distance between tracks

Track gauge	From 1,000 to 1,435 mm *
Charging time	8 h maximum
Autonomy	> 300 cycles of measurement
Operating temperature	-10 to +50 °C (14 to 122 °F)
Mass	< 13 kg (29 lbs)
Dimensions (L x W x H)	490 x 1,500 x 560 mm (19 x 59 x 22 in.)

\* Other track gauges on request

## Options

- Module for low measurements and software
- Software for TopoRail systems (RG files)
- Additional measurement modes (SBB, SNCF, PALAS UK)

