



QUALITY SPACE HEATERS



Installation & operation Guide for wirelessly controlled 2kw Low Surface Temperature Fan Heaters

Models

CSL2LST

CSL2MLST

All electrical appliances produced by the Consort are guaranteed for one year against faulty materials or workmanship. This applies only if the appliance has been used for purposes in accordance with the instructions provided and has not been connected to an unsuitable electricity supply, or subject to misuse, neglect, damage or modified or repaired by any person not authorised by us. This guarantee is offered to you as an extra benefit and does not affect your legal rights.

The correct electricity supply voltage is shown on the rating label attached to the appliance.

Reasonable care has been taken to ensure that this guide is accurate at the time of printing. In the interest of progress the Company reserve the right to vary specifications from time to time without notice.

General Safety

Our Low Surface Temperature heaters have been designed and built to the NHS requirement for safe surface temperatures which is that no surface which can be touched by the user will be more than 43 °C (at a room temperature of 21 °C) This means that our Low Surface Temperature heaters out-perform the European Standard by a significant margin.

The appliance is not intended for use by persons (including children) with reduced physical, sensory or mental capabilities or lack of experience and knowledge unless they have been given supervision or instruction concerning use of the appliance by a person responsible for their safety. Children should be supervised to ensure that they do not play with the appliance.

Safety Monitor

As part of the intelligent control (see section 15), the heater has built-in safety monitoring. In the unlikely event of a fault, the safety monitoring will help prevent high surface temperatures. The safety monitor will identify overheating, fan failure and certain electronic faults. When the safety monitor identifies a fault, the heater runs in restricted mode. However, in the event of a serious fault the heater stops running. The heater indicates a fault by beeping twice. It will not beep again until the unit is switched off and then back on, but the LED will flash red continuously.

Thermally Operated Cut-Out

The appliance is fitted with a thermally operated cut-out (TOC). In the unlikely event that the safety monitor fails, this safety device will switch the heater off if the appliance overheats. If the TOC has tripped there is a high possibility the heater is faulty and should be checked by a qualified person. The TOC can only re-set after the appliance has cooled down, however we advise not to do this until the heater has been checked

In order to re-set the TOC, proceed as follows:

- Switch off appliance and leave for approximately 10 minutes.
- Switch appliance back on and the TOC will re-set.
- Ensure that the appliance is functioning correctly. If the TOC control operates again, the appliance should be checked by a qualified person.

The heater carries a 'Do Not Cover' label to warn the user that if the appliance is covered, there is a risk of overheating.

Warning

- Do NOT site the appliance in a corner.
- Do NOT handle the appliance with wet hands.
- Do NOT use the appliance in workshops or rooms where excessive dust is generated or present.
- Ensure that nothing is pushed into the air outlet of this appliance.
- Do NOT touch outlet grille when the appliance is in use.
- Do NOT cover or restrict the appliance when in use.
- Do NOT use the appliance if damaged.
- Do NOT leave the appliance unattended where young children are present.
- This appliance must be earthed.

Intelligent Fan Control

The intelligent fan control incorporates one of the latest low energy consumption EC motors. This allows the heater to operate quietly, whilst still providing the best possible levels of comfort.




The intelligent fan control is only activated when the heat is switched on. If the heater is running in fan/boost mode only (heat switched off), then the fan will operate at a fixed speed.

When activated, the intelligent fan control detects the temperature of the room. Depending on which heat mode is activated, it will calculate the best possible airflow temperature and will adjust the fan speed accordingly.

NOTE: When turning the heater on, or changing heat mode or fan speed mode, the fan will respond accordingly after a small time delay.

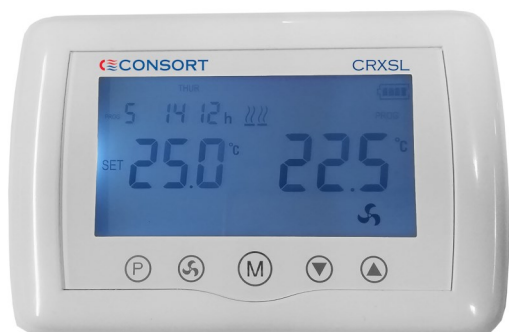
Controls

When the appliance is connected to the mains supply and the wall socket is switched 'ON' the mains neon indicator will light locate at the front, showing that the power is available to

Light colour	Heater status
	STAND-BY No heat output
	Reduced heat output
	Full power heat output

Operation

This heater can only be used in conjunction with any Consort wireless controllers. Each controller can control any number of heaters in the same room.



CRXSL wireless controller

Please refer to the CRXSL installation and control guide for full operational details.



SLPB



SLVT



SLVTB



SLTI

SL wireless controllers

Please refer to the SL user and operating instructions for full operational details.

Intelligent Fan Control

The intelligent fan control incorporates one of the latest low energy consumption EC motors. This allows the heater to operate quietly, whilst still providing the best possible levels of comfort.

The intelligent fan control is only activated when the heat is switched on. If the heater is running in fan/boost mode only (heat switched off), then the fan will operate at a fixed speed.

When activated, the intelligent fan control detects the temperature of the room. Depending on which heat mode is activated, it will calculate the best possible airflow temperature and will adjust the fan speed accordingly.

NOTE: When turning the heater on, or changing heat mode or fan speed mode, the fan will respond accordingly after a small time delay.

Wall mounting

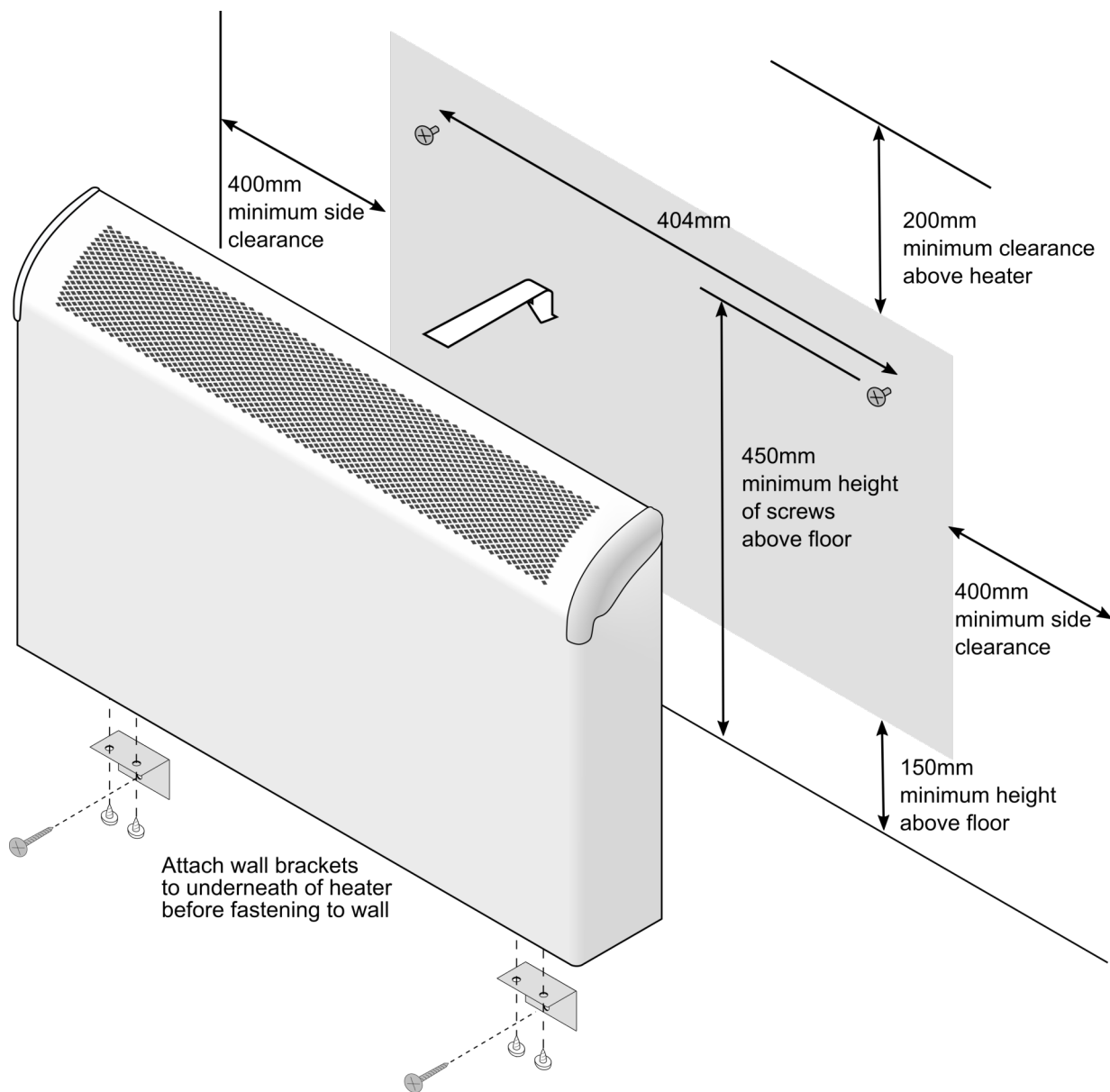
Located on the rear of the heater are two key-hole slots used for wall mounting. Attach screws to the wall following the recommended clearances in figure 1.

Remove the two wall brackets that are screwed to the bottom of the heater. Rotate them 180 degrees as shown in figure 1.

Install the heater on the two screws, ensuring it drops into the two locating slots and is tight against the wall.

With the heater in position, mark the holes for each of the bottom brackets. Screw the bottom brackets to the wall.

Wall mounting



CUSTOMER HELPLINE

Should you need any advice on the use of your new Consort product please contact our Helpline:

Consort Equipment Products Limited

Thornton Industrial Estate, Milford Haven, Pembrokeshire, SA73 2RT

Tel: 01646 692172 Fax: 01646 695195 Email: technical@consortapl.com Web: www.consorapl.com

Operation hours: Mon to Thu 8.30am to 4.30pm | Fri 8.30am to 3.30pm

BS EN ISO 9001 Registered Company No FM12671