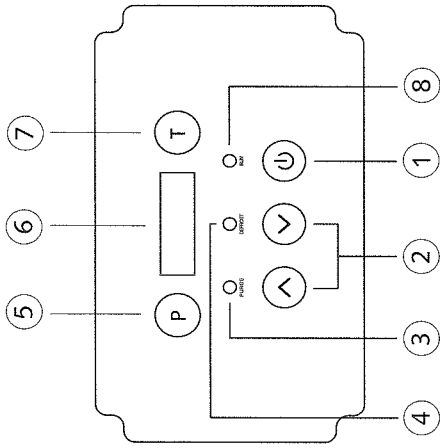


CONTROL PANEL



1. ON/OFF Key
2. Humidity setting UP/DOWN
3. Purging Indicator
4. Defrosting Indicator
5. PURGE Key
6. HUMIDITY and TIME Display
7. TIME Key
8. Operating Indicator

OPERATING INSTRUCTIONS

A. Operation for General Use

1. Press the ON/OFF key to turn the unit on, it will get into working mode automatically.
2. After using, press ON/OFF key to turn the unit off. The water pump will turn on automatically for 40 seconds to drain the rest of the water, and then turn off automatically.

Attention:

DO NOT switch the power **OFF** by disconnecting at the mains socket outlet. To avoid water spillage; **DO NOT** move the dehumidifier for at least three minutes after turning the power **OFF**.

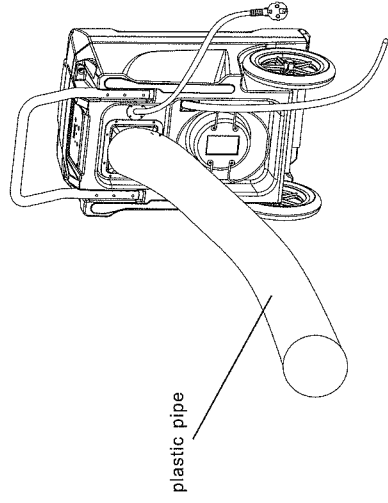
B. Key Lock Function

If the "T" and "P" keys are pressed for 2s at the same time, the operating indicator "RUN" will flash fast, and all the keys on the control panel will be locked. To unlock, repeat the same procedure.

C. Pipe Function

In a very moist space, use a plastic pipe with a diameter larger than the internal diameter of pipe for BR55C/BR85C is 150/164 mm, and connect the pipe to the hood. This is a faster and more effective way of dehumidifying.

Model	BR55C	BR85C
Pipe connection mm	150	164



1. **ON/OFF:** Press the ON/OFF key to turn the unit ON or OFF.
2. **Humidity up/down:** Press (up arrow) or (down arrow) key to set or adjust humidity in the range between 26% and 90%. When the ambient humidity is below 26% "CO" will be displayed (CO = continuous operation).
4. **Defrost Indicator**
If necessary, the unit will go into defrosting mode. If this happens, the defrost indicator light illuminates. When defrosting is finished, the unit will return to dehumidifying mode again; the light goes off.
5. **PURGE:** Press the PURGE key to empty water from the pump reservoir. During normal operation the pump purges automatically when the reservoir is full. Use 'PURGE' before moving the unit to avoid water spillage. The pump will close automatically after forty seconds continuous operation.
7. **TIME:** Press once to show current working time. Another push will show the total working time of the appliance.
Current working time can be reset by pressing and holding the T key. However, the time that has passed will be added to the total working time.
The total working time cannot be reset.
The time can be viewed even if the appliance is not connected to the mains.