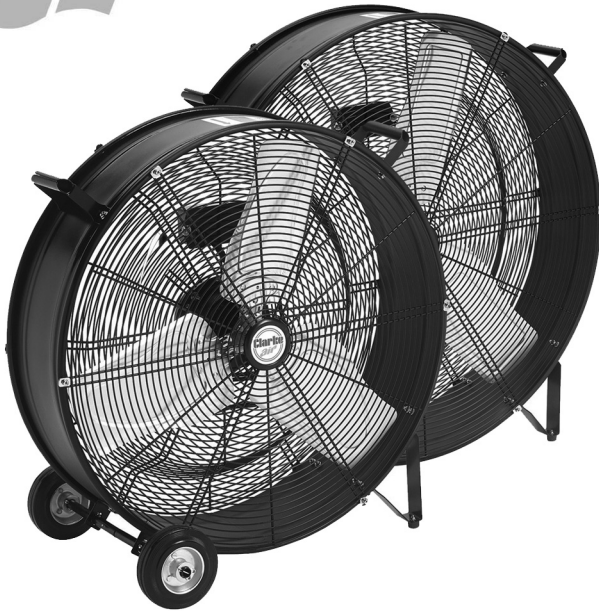


Chamko®

air



24 & 30 INCH DRUM FANS

MODEL NO: CAM24 & CAM30

PART NO: 3231560 / 3231565

OPERATION & MAINTENANCE INSTRUCTIONS



ORIGINAL INSTRUCTIONS

GC1118 - Issue 3

INTRODUCTION

Thank you for purchasing this CLARKE Drum Fan.

Before attempting to use this product, please read this manual thoroughly and follow the instructions carefully. In doing so you will ensure the safety of yourself and that of others around you, and you can look forward to your purchase giving you long and satisfactory service.

GUARANTEE

This product is guaranteed against faulty manufacture for a period of 12 months from the date of purchase. Please keep your receipt which will be required as proof of purchase.

This guarantee is invalid if the product is found to have been abused or tampered with in any way, or not used for the purpose for which it was intended.

Faulty goods should be returned to their place of purchase, no product can be returned to us without prior permission. This guarantee does not effect your statutory rights.

SPECIFICATIONS

MODEL	CAM24	CAM30
Part No:	3231560	3231565
Voltage:	230 V AC (50Hz)	230 V AC (50Hz)
Wattage:	230 W	350 W
Fan Speeds		
Setting 1	1340 rpm	1070 rpm
Setting 2	1400 rpm	1180 rpm
Max Air Flow	155 cuM/min	248cuM/min
Dimensions (D x W x H):	676 x 433 x 682 mm	830 x 420 x 845mm
Weight:	13.3 kg	16.7 kg
Sound Power Measured	81.5 dB(A) LW _a	82.6 dB(A) LW _a

ELECTRICAL CONNECTIONS



WARNING! READ THESE ELECTRICAL SAFETY INSTRUCTIONS THOROUGHLY BEFORE CONNECTING THE PRODUCT TO THE MAINS SUPPLY.

Before switching the product on, make sure that the voltage of your electricity supply is the same as that indicated on the rating plate. This product is designed to operate on 230VAC 50Hz. Connecting it to any other power source may cause damage.

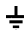
This product may be fitted with a non-rewireable plug. If it is necessary to change the fuse in the plug, the fuse cover must be refitted. If the fuse cover becomes lost or damaged, the plug must not be used until a suitable replacement is obtained.

If the plug has to be changed because it is not suitable for your socket, or due to damage, it should be cut off and a replacement fitted, following the wiring instructions shown below. The old plug must be disposed of safely, as insertion into a mains socket could cause an electrical hazard.

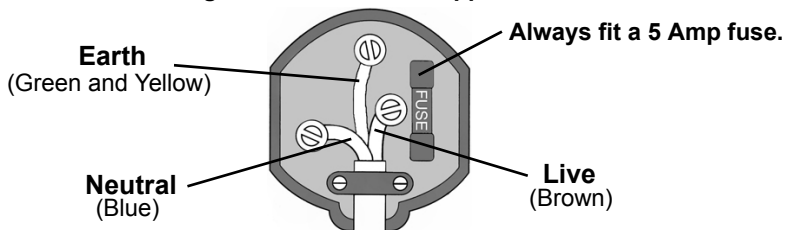


**WARNING! THE WIRES IN THE POWER CABLE OF THIS PRODUCT ARE COLOURED IN ACCORDANCE WITH THE FOLLOWING CODE:
Blue = Neutral Brown = Live Yellow and Green = Earth**

If the colours of the wires in the power cable of this product do not correspond with the markings on the terminals of your plug, proceed as follows.

- The wire which is coloured **Blue** must be connected to the terminal which is marked **N** or coloured **Black**.
- The wire which is coloured **Brown** must be connected to the terminal which is marked **L** or coloured **Red**.
- The wire which is coloured **Yellow and Green** must be connected to the terminal which is marked **E** or  or coloured **Green**.

Plug must be BS1363/A approved.



Ensure that the outer sheath of the cable is firmly held by the clamp

We strongly recommend that this machine is connected to the mains supply via a Residual Current Device (RCD)

If in any doubt, consult a qualified electrician. DO NOT attempt any repairs yourself.

SAFETY PRECAUTIONS

1. Always read the manual before use.
2. Suitable for indoor use only.
3. Avoid using in dusty environments.
4. Do not use in environments containing chemical fumes etc.
5. Do not use as an extractor fan.
6. Do not use in areas of high humidity/water vapour, i.e. bathrooms etc.
7. Do not connect the fan to duct system.
8. Do not cover the fan with clothing or any material that will restrict free airflow through the fan.
9. Never touch the blades with your hand or any loose object.
10. Always unplug the fan before moving it or performing maintenance. Don't touch the fan when your hands are wet.
11. Those who are not qualified electricians should not disassemble, repair or rebuild the fan.
12. Always unplug the fan when it is not in use.
13. Never unplug the fan by holding the cable. Unplug by holding the plug.
14. Never use the fan if the cable or plug are damaged.
15. Never use the fan close to fires.
16. Do not use this fan with any solid-state speed control device to reduce the risk of fire or electric shock.

ENVIRONMENTAL RECYCLING POLICY



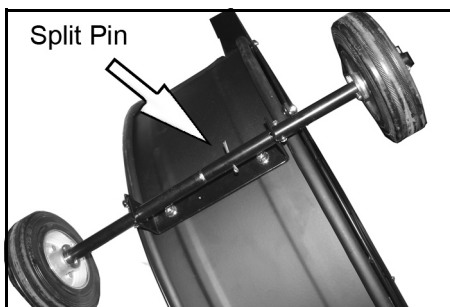
Through purchase of this product, the customer is taking on the obligation to deal with the WEEE in accordance with the WEEE regulations in relation to the treatment, recycling & recovery and environmentally sound disposal of the WEEE.

In effect, this means that this product must not be disposed of with general household waste. It must be disposed of according to the laws governing Waste Electrical and Electronic Equipment (WEEE) at a recognised disposal facility.

ASSEMBLY

Insert each axle section into one of the mounting brackets, twisting each one so that the screws rest in the cut-outs in the mounting brackets.

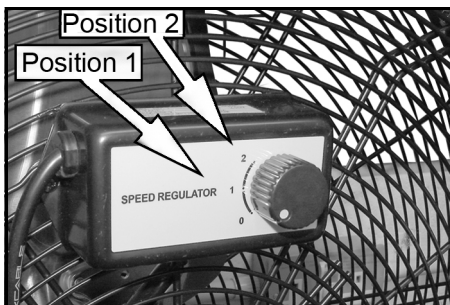
Insert the smaller diameter tube into the larger and fasten in place with the split pin provided. Bend it back for full security.



ADJUSTING THE SPEED

Turn the switch on the speed regulator to select the fan speed required.

	CAM24	CAM30
Position 1	1340	1070
Position 2	1400	1180



MAINTENANCE



WARNING: NEVER OPERATE THE FAN WITH THE FRONT GUARD REMOVED.

Have any repairs carried out by a suitably qualified person.

- The motor bearings are permanently sealed for life and do not require any additional lubrication.

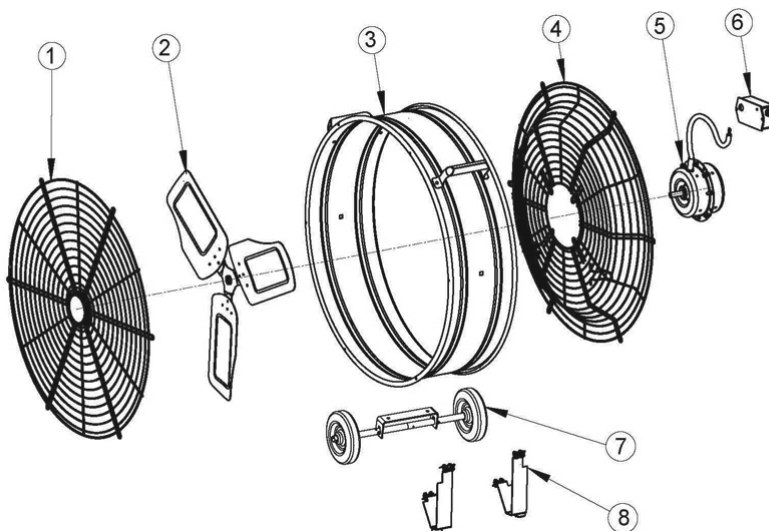
CLEANING

If the fan has been operating for long periods in a very dusty environment, the blades and motor assembly may eventually require cleaning.

1. Disconnect the power cable from the power supply.
2. Unscrew the front guard and lift it away carefully.
3. Wipe the fan blades with dry cloth and remove any dust from the motor assembly with a soft paintbrush, vacuum cleaner or jet of compressed air.
 - Never use polish or any corrosive liquid that will damage the surface finish.
4. Replace the guard securely before use.



PARTS LIST AND DIAGRAM



No	DESCRIPTION	No	DESCRIPTION
1	Front Guard	5	Motor Assembly
2	Blade Assembly	6	Switch Box
3	Drum	7	Wheel & Axle Assembly
4.	Rear Guard	8	Supporting Foot

When requesting spare parts please quote ref:JKE-CAM24 or 30 items 1-8.

DECLARATION OF CONFORMITY



Clarke[®]
INTERNATIONAL

Hemnoll Street, Epping, Essex CM16 4LG

DECLARATION OF CONFORMITY

This is an important document and should be retained.

We hereby declare that this product(s) complies with the following directive(s):

2014/30/EU *Electromagnetic Compatibility Directive.*

2014/35/EU *Low Voltage Equipment Directive.*

2011/65/EU *Restriction of Hazardous substances.*

The following standards have been applied to the product(s):

EN 61000-3-2:2014, EN 62233:2008, EN 55014-1:2006 +A1:2009+A2:2011, EN 55014-2:2015,

EN 61000-3-3:2013, EN 60335-1:2012+A11:2014+A12:2017, EN 60335-2-80:2003+A1:2004+A2:2009.

The technical documentation required to demonstrate that the product(s) meet(s) the requirement(s) of the aforementioned directive(s) has been compiled and is available for inspection by the relevant enforcement authorities.

The CE mark was first applied in: 2011

Product Description: 24", 30", 36" Drum fans
Model number(s): CAM24, CAM30, CAM36
Serial / batch Number: N/A
Date of Issue: 29/12/2017

Signed:

J.A. Clarke
Director

A SELECTION FROM THE VAST RANGE OF

Clarke®

QUALITY PRODUCTS

AIR COMPRESSORS

From DIY to industrial, Plus air tools, spray guns and accessories.

GENERATORS

Prime duty or emergency standby for business, home and leisure.

POWER WASHERS

Hot and cold, electric and engine driven - we have what you need

WELDERS

Mig, Arc, Tig and Spot. From DIY to auto/industrial.

METALWORKING

Drills, grinders and saws for DIY and professional use.

WOODWORKING

Saws, sanders, lathes, mortisers and dust extraction.

HYDRAULICS

Cranes, body repair kits, transmission jacks for all types of workshop use.

WATER PUMPS

Submersible, electric and engine driven for DIY, agriculture and industry.

POWERTOOLS

Angle grinders, cordless drill sets, saws and sanders.

STARTERS/CHARGERS

All sizes for car and commercial use.



PARTS & SERVICE: 0208 988 7400
E-mail: Parts@clarkeinternational.com or Service@clarkeinternational.com
SALES: UK 01992 565333 or Export 00 44 (0)1992 565335

Clarke INTERNATIONAL Hemnall Street, Epping, Essex CM16 4LG
www.clarkeinternational.com