



**INDUSTRIAL FAN HEATERS**

Output: **30KW 4 HEAT SETTING**

Model No: **Olympus JetHeat OLY-J30/3**

**IMPORTANT: PLEASE READ THESE INSTRUCTIONS CAREFULLY. NOTE THE SAFE OPERATIONAL REQUIREMENTS, WARNINGS & CAUTIONS. USE THE PRODUCT CORRECTLY AND WITH CARE FOR THE PURPOSE FOR WHICH IT IS INTENDED. FAILURE TO DO SO MAY CAUSE DAMAGE AND/OR PERSONAL INJURY AND WILL INVALIDATE THE WARRANTY. KEEP THESE INSTRUCTIONS SAFE FOR FUTURE USE.**

Thank you for purchasing a Olympus Industrial Appliances JetHeat product. Manufactured to a high standard, this product will, if used according to these instructions and maintained properly, give you years of trouble free performance.



Refer to  
Instructions



Indoor Use  
Only



**1. SAFETY**

**1.1. ELECTRICAL SAFETY**

**WARNING! ELECTRICAL INSTALLATION OF THE HEATER TO A 3-PHASE 415VOLT SUPPLY MUST ONLY BE CARRIED OUT BY A QUALIFIED ELECTRICIAN.**

**Make sure the power supply cable is correctly connected to the earth. It is the user's responsibility to read, understand and comply with the following:**

You must check all electrical equipment and appliances to ensure they are safe before using. You must inspect power supply leads, plugs and all electrical connections for wear and damage. You must ensure the risk of electric shock is minimised by the installation of appropriate safety devices. An RCCB (Residual Current Circuit Breaker) should be incorporated in the main distribution board. **You must** also read and understand the following instructions concerning electrical safety.

1.1.1. The **Electricity At Work Act 1989** requires all portable electrical appliances, if used on business premises, to be tested by a qualified electrician, using a Portable Appliance Tester (PAT), at least once a year.

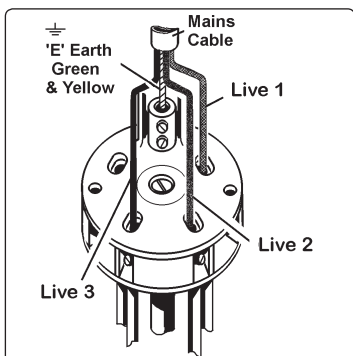
1.1.2. The **Health & Safety at Work Act 1974** makes owners of electrical appliances responsible for the safe condition of the appliance and the safety of the appliance operator. **If in any doubt about electrical safety, contact a qualified electrician.**

1.1.3. Ensure insulation on all cables and the product itself is safe before connecting to mains power supply.

1.1.4. Ensure that cables are always protected against short circuit and overload.

1.1.5. Regularly inspect power supply, leads, plugs and all electrical connections for wear and damage, especially power connections, to ensure that none are loose.

1.1.6. **Important:** Ensure the voltage marked on the product is the same as the electrical power supply to be used. A three phase plug must be fitted to this machine.



- 1.1.7. **DO NOT** pull the powered appliance by the power cable.
- 1.1.8. **DO NOT** pull power plugs from sockets by the power cable.
- 1.1.9. **DO NOT** use worn or damage leads, plugs or connections. Immediately replace or have repaired by a qualified electrician.
- 1.1.10. **This product must be fitted with a 3-phase plug according to the diagram, and will require a minimum of 63Amps per phase of electrical supply.**

***You must contact a qualified electrician to ensure an appropriately fused supply is available.***

Connect **GREEN/YELLOW** wire to earth (E) terminal . Connect the live wires to live 1, 2 and 3.

**When completed, check that there are no bare wires, that all wires have been connected correctly, that the cable external insulation extends beyond the cable restraint and that the restraint is tight.**

**1.2. GENERAL SAFETY**

**1.2.1. MAINTENANCE PRECAUTIONS**

- WARNING!** Disconnect the heater from the mains power supply, before servicing or performing any maintenance. Servicing or maintenance must only be carried out by an authorised service agent.
- ✓ Check that the heater is in sound condition and good working order. Take immediate action to repair or replace damaged parts.
- ✓ Use recommended parts only. Unapproved parts may be dangerous and will invalidate the warranty.
- ✗ **DO NOT** attempt to repair a damaged heater, contact an authorised service agent.

**1.2.2. POSITIONING OF HEATER**

- WARNING! DO NOT** use the heater near flammable material liquids, solids, gases or compressed gas cylinders etc.
- ✗ **DO NOT** place the heater close to a bath, wash basin, shower, swimming pool or any other water-filled area or wet surface.
- ✗ **DO NOT** place the heater up against any surface such as a wall, door or furniture etc.
- ✗ **DO NOT** place the heater immediately below any electrical outlet.
- ✓ Position the heater at least a minimum of 0.5mtr at the rear and sides, and 2mtr at the front, from any walls or objects.
- ✗ **DO NOT** place the heater on a raised surface or anywhere where it could topple over.

**1.2.3. OPERATIONAL PRECAUTIONS**

- ✓ The heater must only be used by people who have read these instructions and have been trained in its use.
- ✗ **DO NOT** obstruct the air inlet and outlet sections of the heater.
- ✗ **DO NOT** cover the heater.
- ✗ **DO NOT** touch the heater casing or grille when first switched off, as these will be very hot and will take time to cool.
- ✗ **DO NOT** get the heater wet or use in areas of high condensation.
- ✗ **DO NOT** allow the power lead to touch hot surfaces.
- ✗ **DO NOT** connect the heater to a timer device or other equipment than can automatically switch the heater on or off.
- ✓ If an extension cable is required it must be of the same cross section as the heater cable. It must be as short as possible and fully unwound.
- ✗ **DO NOT** connect other appliances to the same mains socket

the heater.

1.2.4. **COMMON SENSE PRECAUTIONS**

- x **DO NOT** operate the heater when you are tired or under the influence of alcohol, drugs or intoxicating medication.
- x **DO NOT** stand on the heater.
- x **DO NOT** use the heater with wet hands or when there is water on the power cord.
- ✓ Ensure that the heater is correctly turned off when not in use and store in a safe, dry, childproof location.
- x **DO NOT** use the heater for anything other than its intended purpose. It is designed to provide heat in enclosed areas larger than 4m<sup>3</sup>, such as workshops and other industrial areas. It is not suitable for drying clothes or laundry.

**2. INTRODUCTION**

The JetHeat OLY-J30/3 industrial electric fan heater features three heat settings and adjustable thermostat control with fan only option. The auto cooling system to prevents the unit from overheating during use. A dry heat with no condensation, no gas, no fumes and no smell. Ideal for workshops, garages etc. Supplied with three phase chassis mounted plug (extension lead required).

**3. SPECIFICATION JETHEAT OLY-J30/3**

Model No: ..... JETHEAT OLY-J30/3  
 IP Class: ..... IPX4  
 Max. Power: ..... 30000W  
 Supply: ..... 415V-63A  
 Heat Settings: ..... 15000/30000W  
 Dimensions (WxDxH (mm)): 645 x 565 x 860

**IMPORTANT!**

The JetHeat OLY-J30/3 is designed to raise the ambient temperature of an entire room, the temperature of the air coming out of the front of the unit will be warmer than the temperature of the ambient air going in, but there may not be a noticeable increase owing to the large volume of air passing over the heating elements. The elements are hot during operation, but do not glow red. The room temperature depends on room size, insulation and the ambient air temperature, which will increase as the room gets warmer.

**4. ASSEMBLY OF JETHEAT OLY-J30/3**

**4.1. ASSEMBLY OF THE LEGS.** (Ref. fig.1)

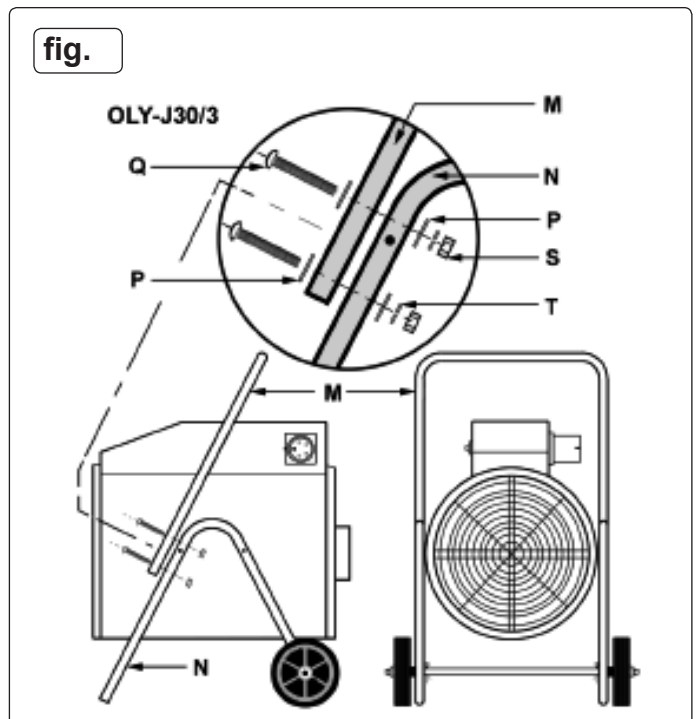
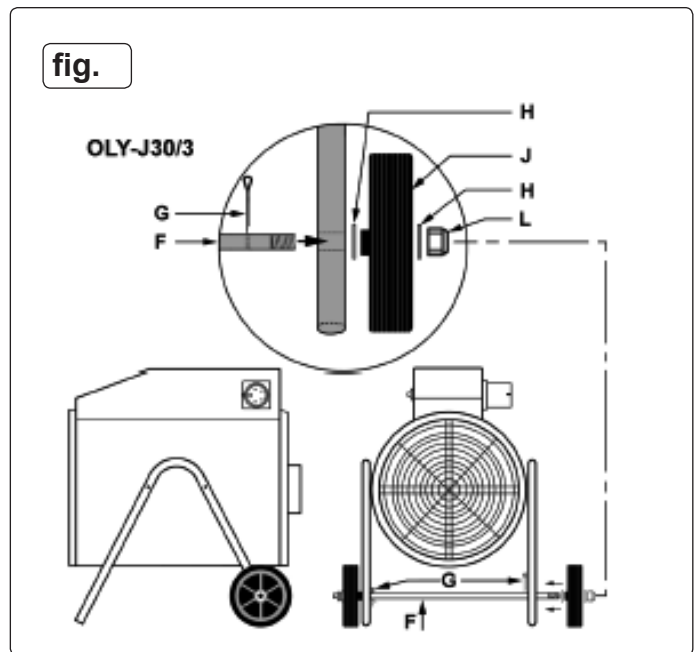
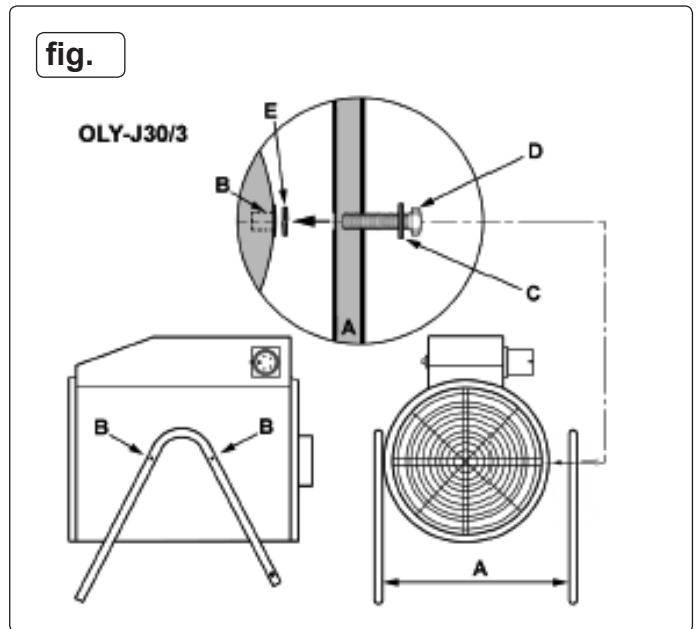
- 4.1.1. On either side of the heater body there are two threaded inserts (B) for mounting the 'V' shaped leg frames (A). Note that the axle hole at the shorter end of the 'V' frames should be orientated towards the back of the heater.
- 4.1.2. Take two M8 x 40mm bolts (D) and slide a plain washer (C) onto each one. Insert a bolt through each of the mounting holes on the leg frame and slide a split washer (E) over each protruding bolt. Align the bolts with the two threaded inserts (B) on the heater body and screw them down securely.
- 4.1.3. Mount the other 'V' frame to the other side of the heater body in the same way.

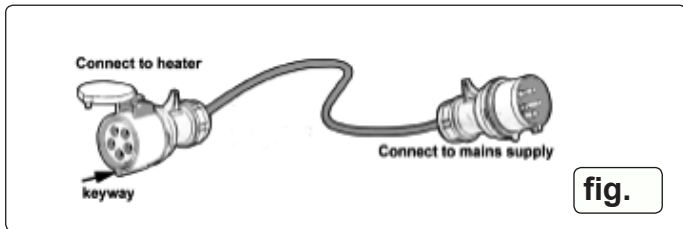
**4.2. ASSEMBLY OF THE WHEELS.** (Ref. fig.2)

- 4.2.1. Take the axle rod (F) and insert it through the holes in the 'V' frames so that the threaded rod ends protrude equally either side. Retain the axle rod in this position by inserting split pins (G) through the holes situated just on the inside of each leg frame.
- 4.2.2. Slide a plain washer (H) over each end of the axle rod, followed by a wheel (J) followed by another plain washer (H).
- 4.2.3. Screw a nyloc nut (L) onto each end of the axle by hand until it begins to bite. Hold one nut steady with a 19mm spanner and progressively tighten each nut until it bottoms out on the thread.

**4.3. ASSEMBLY OF THE HANDLE.** (Ref. fig.3)

- 4.3.1. Slide a plain washer over each of the four M5 x 50mm bolts supplied.
- 4.3.2. Lay the 'U' shaped handle frame onto the front face of the leg frames and align the two holes at each end of the handle frame with the two holes in each leg frame. Insert two bolts at each joint as indicated in fig.3.
- 4.3.3. Whilst continuing to support the handle frame slide a plain washer (P) followed by a split washer (T) onto the end of each protruding bolt and retain them with a nut (S). Tighten all four nuts with an 8mm spanner.





#### 4.4. CONNECTING TO MAINS SUPPLY

- 4.4.1. The JetHeat OLY-J30/3 heater is supplied with a protected 5 pin connector mounted on the side of the control housing. In order to connect to the mains it will be necessary to have the extension cable shown in fig.4 made up by a qualified electrician (this cable is not supplied). The cable should be no shorter than 1.8mtr and no longer than 3.0mtr. The minimum size of cable to be used is 6mm<sup>2</sup>.
- 4.4.2. Before connecting to the mains supply ensure that the selector switch is set to OFF and the thermostat is set at minimum.
- 4.4.3. Hold open the protective cover on the socket connector on the extension lead as shown in fig.4 and present it to the heater connector in the correct orientation so that the spigot on the heater connector passes into the keyway on the socket connector. Push the socket connector fully home.
- 4.4.4. Connect the other end of the extension cable to the mains supply.

#### 4.5. THERMOSTATIC PROTECTION

- 4.5.1. The JetHeat OLY-J30/3 has a thermal cut out to prevent the unit from overheating for any reason, especially if the air input is restricted. If the temperature of the front grille reaches 45°C a thermal cutout will operate, turning off the heating elements. When the fan has cooled the unit to 40°C, normal thermostatic operation will resume.
- 4.5.2. **AUTO COOLING.** It is recommended that the thermostat should be set to the minimum to cool the unit prior to switching off. If the unit is switched off when operating at full temperature, and the front grille has reached 45°C, the time delay thermostat will keep the fan running to cool down the unit. When the front grille has cooled to 40°C the fan will stop running.
- 4.5.3. **NOTE: Auto cooling will only function if the unit is plugged into the mains and the mains is switched ON.**

## 7. WARRANTY

**Your product is guaranteed for a period of 12 months from the date of purchase.**

Please register your product warranty online at [www.martinindustries.co.uk](http://www.martinindustries.co.uk). Here you will find the Terms & Conditions of Warranty that apply to your product and an online registration form. Please retain your original receipt and all packaging as they will be required for a claim under warranty or if the product needs to be collected for repair.



CE Rated

**IMPORTANT:** No liability is accepted for incorrect use of this product.



**Environmental Protection**  
Recycle unwanted materials instead of disposing of them as waste. All tools, accessories and packaging should be sorted, taken to a recycling centre and disposed of in a manner which is compatible with the environment. When the product becomes completely unserviceable and requires disposal, drain off any fluids (if applicable) into approved containers and dispose of the product and the fluids according to local regulations.

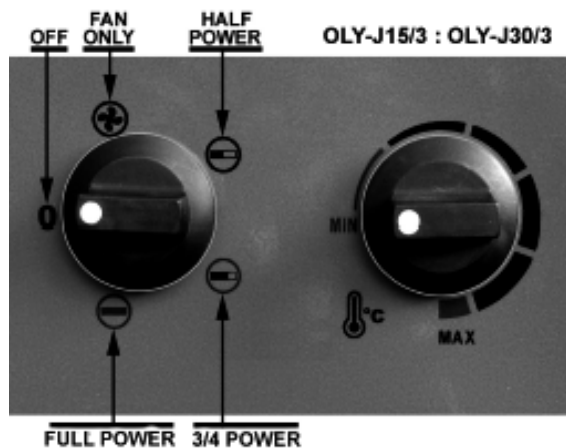


**WEEE Regulations**  
Dispose of this product at the end of its working life in compliance with the EU Directive on Waste Electrical and Electronic Equipment (WEEE). When the product is no longer required, it must be disposed of in an environmentally protective way. Contact your local solid waste authority for recycling information.

NOTE: It is a Martin Industries Limited policy to continually improve products and as such we reserve the right to alter data, specifications and component parts without prior notice. **IMPORTANT:** No liability is accepted for incorrect use of this product.  
WARRANTY: Guarantee is 12 months from purchase date, proof of which will be required for any warranty claim.

## 5. OPERATION

- 5.1. Position the heater in an upright position on a firm surface and at a safe distance from any obstructions, flammable substances etc. Keep to a minimum of 0.5mtr clearance at the rear and sides, and 2mtr clearance at the front.
- 5.2. Connect the heater to a suitable mains supply (see section 4.4).
- 5.3. Referring to fig.5, set the thermostat dial to the maximum setting (fully clockwise).
- 5.4. The heater will switch on when the power setting selector is set to one of the power settings.  
**NOTE: It will take up to three minutes for the heater to reach optimum temperature.**
- 5.5. Once the room reaches the required temperature, turn the thermostat dial slowly counter-clockwise until the thermostat clicks, leave the dial in this position and the room temperature will be maintained at this setting. The heater will continue to operate until the power switch is turned to the OFF position.
- 5.6. For fan only operation, turn the power/fan selector to the fan only setting and set the thermostat to its minimum setting.
- 5.7. When not in use, disconnect the heater from the mains supply. Store it in a safe, dry, childproof location.



## 6. MAINTENANCE

**WARNING!** Before attempting any maintenance, ensure that the unit is unplugged from the mains power supply and that it has cooled down.

- 6.1. Clean the heater with a soft dry cloth only. **DO NOT** use abrasives or solvents.
- 6.2. Periodically check the heater grille to ensure that it is not blocked. No other maintenance is necessary. If a problem with the heater is experienced, contact your local authorised service agent for repair. If the power lead or plug is damaged, contact a qualified electrician. **DO NOT** dismantle or tamper with the heater, as this may be dangerous and will invalidate the warranty.

**NOTE: It may take up to three minutes for the heating elements to reach optimum temperature. This is a normal operation and not a indication of a fault**



UK Distributor:: Orion AC & R Limited

10 Grisedale Court, Woburn Road  
Industrial Estate, Kempston, Bedfordshire,  
MK42 7EE, United Kingdom



01234 841221



[www.orionairsales.co.uk](http://www.orionairsales.co.uk)



01234 852662



[info@orionair.co.uk](mailto:info@orionair.co.uk)