

Boiler K Series

Portable pipe beveling machine

The BOILER STD is a versatile, robust and reliable pipe beveling machine. Used mainly for boiler maintenance in power stations and new boiler manufacturing.

Range: 28 -76mm ID (optional from 20mm ID)

Functions: beveling, facing, counterboring.

Materials: any kind of steel, aluminum or plastic.

Power: pneumatic or electric (110v or 220v)



BOILER K



BOILER KC



BOILER KE

110V & 230V



BOILER K AUTOLOCK

Auto locking system available for time saving in repetitive work.



Boiler K Series

TECHNICAL FEATURES

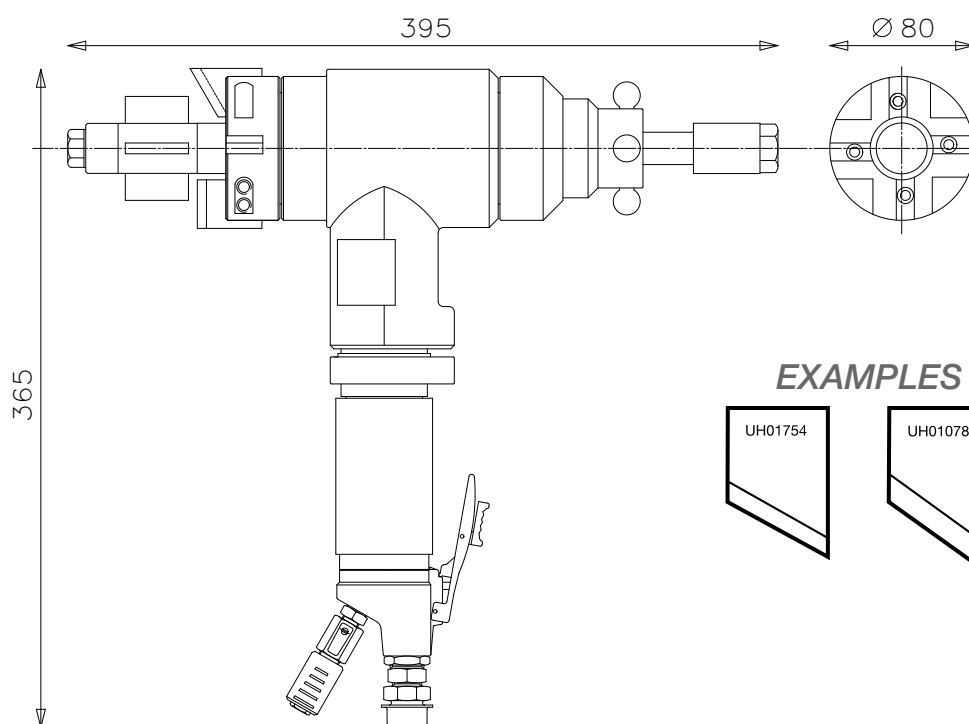
BOILER STD BOILER E

Locking range	mm \emptyset o/d.)	28-76	28-76
Idle speed	Rpm	110	75
Torque	Nm	56	82
Feeding stroke	mm	40	40
Pneumatic motor power	Hp (W)	0,70 (510)	-
Air consumption	cfm	34-36	-
Air pressure	psi	90	-
Air hose connection	inches	1/2"	-
Electric motor power	Watt	-	800
Voltage	Volt	-	110/220
Frequency (cycles)	Hz	-	50
Max noise level	dB	75	75
Unit weight	Kg	8,0	9,0

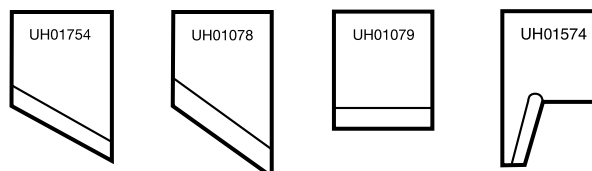
OPTIONAL



Shaft	Locking range (i/d.) mm	Locking range (i/d.) inches
20 \emptyset	20 - 30	0.79 - 1.18



EXAMPLES OF CUTTER BITS



All units are supplied complete with all gripping segments to cover the full range of the machine. Service tools, drawings, instruction manual and warranty certificate are also supplied as standard. Each machine is supplied with a protective carrying case. We strongly recommend the use of the GBC portable filter lubricator with all our pneumatic models.